

รับปรับปรุงเครื่องจักรใหม่/เก่าเพื่อเพิ่มประสิทธิภาพ การหล่อลื่นเพื่อการใช้งานหนัก



Distributor :

ENERGY POWER SAVE CO.,LTD

442/2 Chan Road, Thungwat-Don Sathon Bangkok Thailand 10120 Email : info@7-mars.com

TEL : +66 (02) 114 7145-9 Auto. 5Line **Skype** : energypowersave
www.7-Mars.com



Lubrication Systems

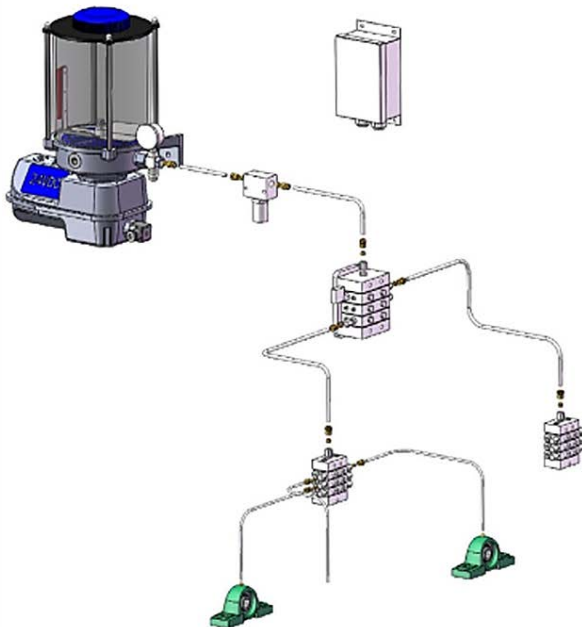


This is an automated and centralised lubrication system that can improve productivity and extend the service life of your plant.

Suitable for all types of hydraulic and industrial applications undertaken across a diverse range of industries, the system automatically delivers lubricant through a single supply line to a network of metering valves.

Ideal for

- Daily or weekly lubrications requirements
- Man power
- Hard to reach lubrication points



ENERGY POWER SAVE CO.,LTD

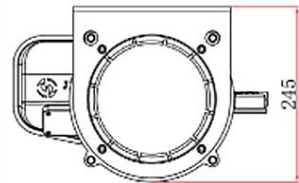
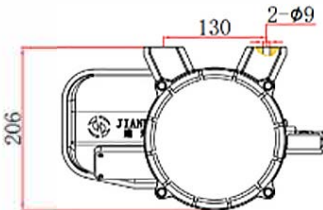
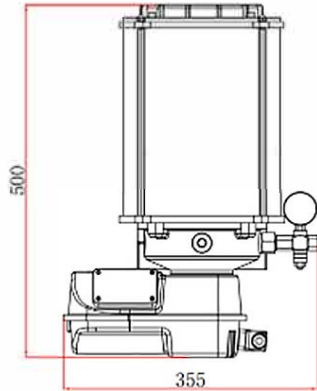
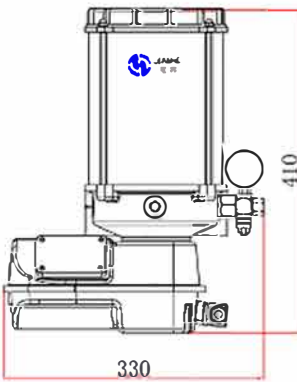
442/2 Chan Road, Thungwat-Don Sathon Bangkok Thailand 10120 Email : info@7-mars.com
 TEL : +66 (02) 114 7145-9 Auto. 5Line **Skype** : energypowersave
 www.7-Mars.com

Product Parameters



DBS/G-6L

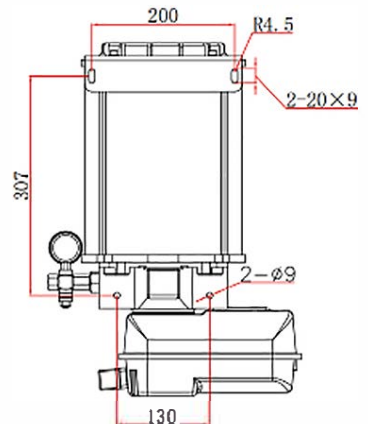
MODEL:	DBS/G
RESERVIOR CAPACITY:	2L/4L/6L/8L/15L
CONTROL TYPE:	PLC/TIME CONTROLLER
LUBRICANT:	NLGI000#-2#
VOLTAGE:	12V/24V/110V/220V/380V
POWER:	50W/80W
RATED WORKING PRESSURE:	25MPA
DISCHARGE VOLUME:	2/5/10ML/MIN
OUTLET NUMBER:	1-6
TEMPERATURE:	-35-80°C
PRESSURE GAUGE:	OPTIONAL
DISGITAL DISPLAY:	OPTIONAL
LOW LEVEL SWITCH:	OPTIONAL
OIL INLETS:	QUICK CONNECTOR/FILLER CAP
OUTLET THREAD:	M10*1 R1/4



4L

Dimensions

MODEL:	HEIGHT(MM)
2L	364
4L	410
6L	510
8L	500
15L	730



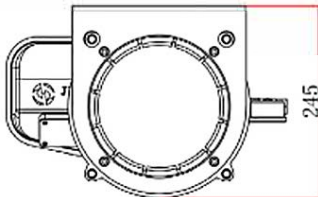
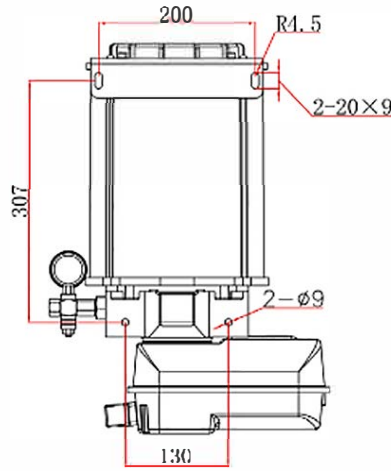
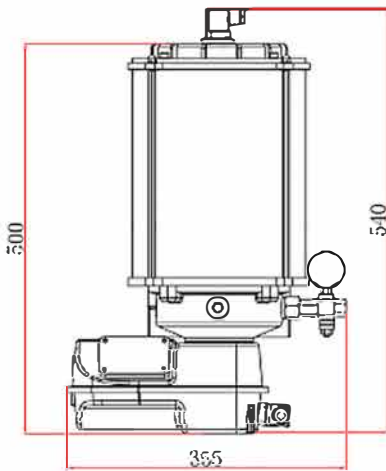
8L

Product Parameters



DBS/I-4.5L

MODEL:	DBS/I
RESERVIOR CAPACITY:	4.5L/8L/15L
CONTROL TYPE:	PLC/TIME CONTROLLER
LUBRICANT:	NLGI000#-3#
VOLTAGE:	12V/24V/110V/220V/380V
POWER:	50W/80W
RATED WORKING PRESSURE:	25MPA
DISCHARGE VOLUME:	2/5/10ML/MIN
OUTLET NUMBER:	1-6
TEMPERATURE:	-35-80°C
PRESSURE GAUGE:	OPTIONAL
DISGITAL DISPLAY:	OPTIONAL
LOW LEVEL SWITCH:	OPTIONAL
OIL INLETS:	QUICK CONNECTOR
OUTLET THREAD:	M10*1 1/4

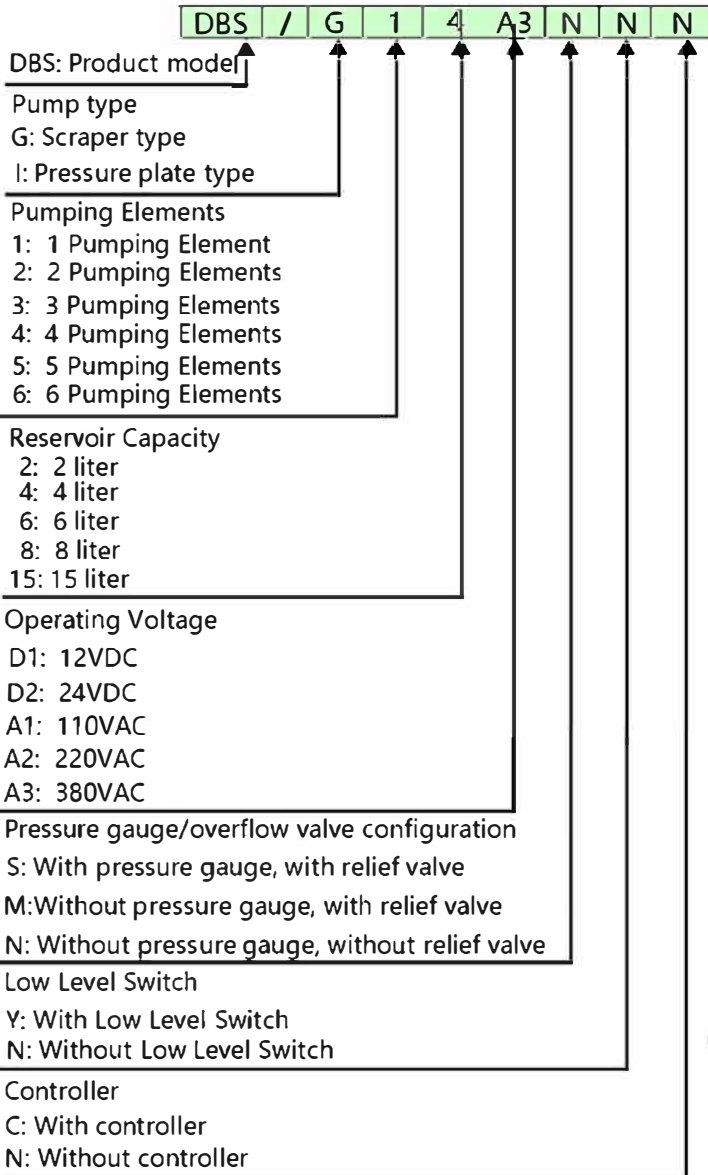


8L

Dimensions

MODEL:	HEIGHT(MM)
4.5L	470
8L	540
15L	750

DBS type electric lubrication pump order code



Selection example:
DBS/G24D2MNC



DBS/I14D2SYC



If there are special requirements, please specify separately when ordering, such as special voltage, metal oil tank, etc.

Product Parameters

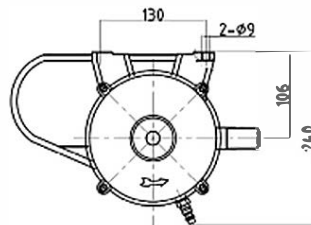
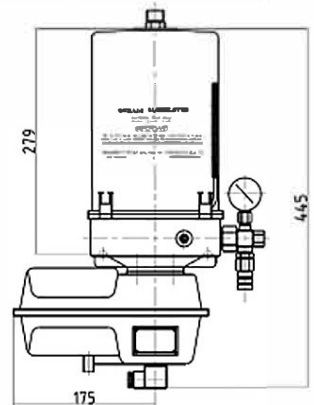
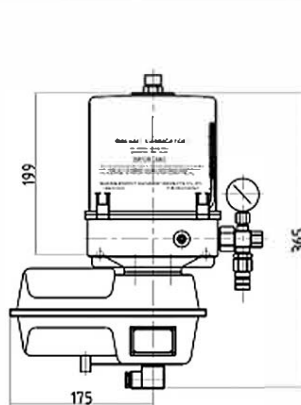


DBS/B-2L

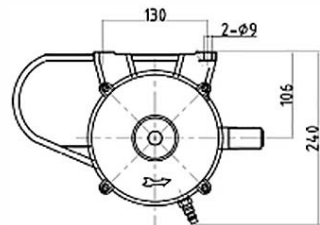


DBS/B-8L

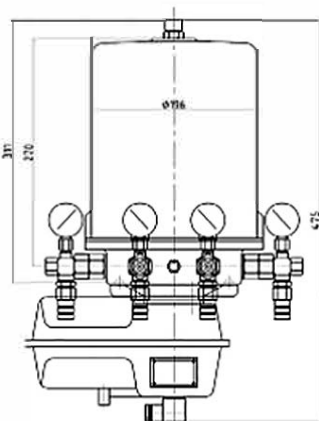
MODEL:	DBS/B
RESERVIOR CAPACITY:	2L/4L/8L
CONTROL TYPE:	PLC/TIME CONTROLLER
LUBRICANT:	NLG1000#-2#
VOLTAGE:	24V/220V/380V
POWER:	50W
RATED WORKING PRESSURE:	25MPA
DISCHARGE VOLUME:	1.8/5ML/MI
OUTLET NUMBER:	1-6
TEMPERATURE:	-35-80°C
PRESSURE GAUGE:	OPTIONAL
DISGITAL DISPLAY:	OPTIONAL
LOW LEVEL SWITCH:	OPTIONAL
OIL INLETS:	QUICK CONNECTOR
OUTLET THREAD:	M10*1 R1/4



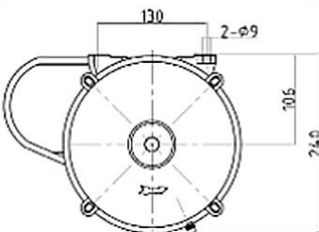
2L



4L



8L



Ordering Information

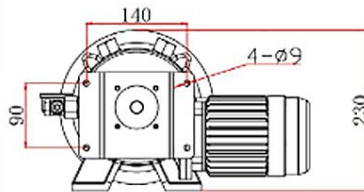
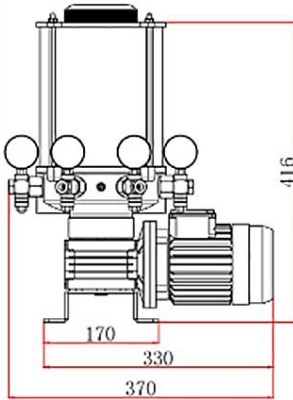
*****	_____	****	****	****	****
Base Code					
88101: 24VDC					
08102: 220VAC/50Hz	Outlets Qty				
88105: 380VAC/50Hz	4: 4 outlets				
	Capacity 4: 4 liters				
					C: Timer Without: N/A timer
					Y: Gauge Without: N/A gauge
					Q: Plastic reservoir I: Metal reservoir

Product Parameters



DBT-6L

MODEL:	DBT TYPE
RESERVIOR CAPACITY:	2L/4L/6L/8L/15L 10L/15L(METAL TANK)
CONTROL TYPE:	PLC/EXTERNAL TIME CONTROLLER
LUBRICANT:	NLGI000#-2#
VOLTAGE:	380V
POWER:	90W
MAX.PRESSURE:	25MPA
DISCHARGE VOLUME:	1.4/1.8/3.5/4.6/6.4/11.5ML/MIN
OUTLET NUMBER:	1-6
TEMPERATURE:	-35-80°C
PRESSURE GAUGE:	OPTIONAL
DISGITAL DISPLAY:	WITHOUT
LOW LEVEL SWITCH:	OPTIONAL
OIL INLETS:	QUICK CONNECTOR/FILLER CAP
OUTLET THREAD:	M10*1 R1/4

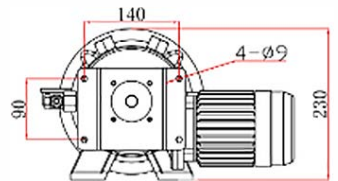
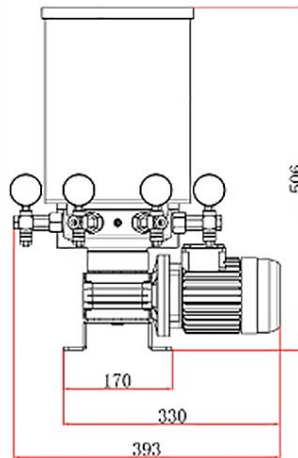


Dimensions

TANK CAPACITY:	L (MM)
2L	380
4L	441
6L	541
8L	529
15L	687



DBT-10



Dimensions

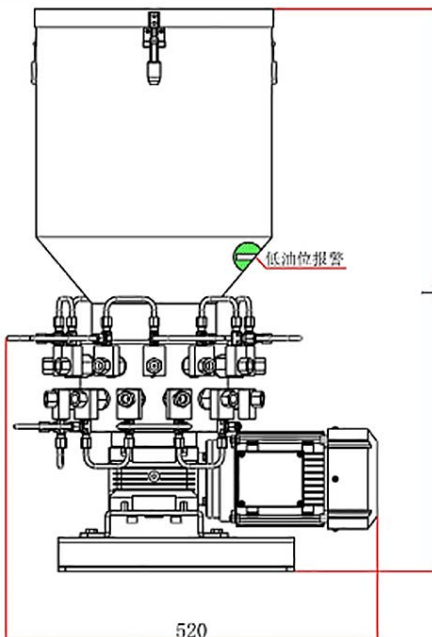
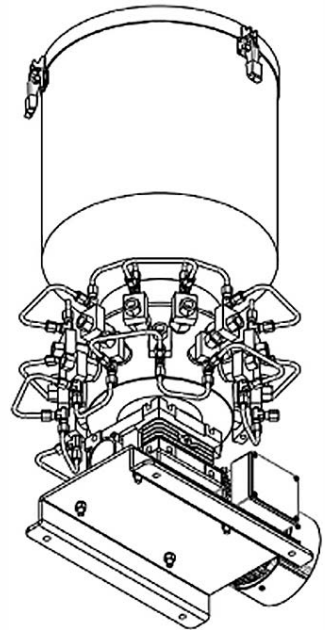
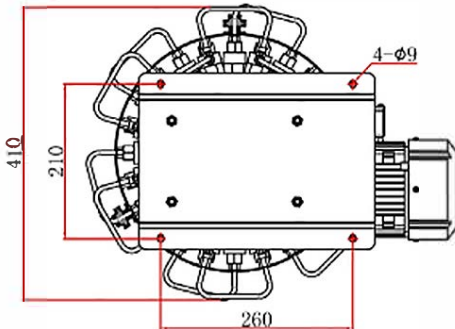
TANK CAPACITY:	10L	15L
L(MM)	506	670

Product Parameters



DDB-30L

MODEL:	DDB TYPE
RESERVIOR CAPACITY:	20L/30L/50L
CONTROL TYPE:	PLC/EXTERNAL TIMECONTROLLER
LUBRICANT:	NLGI000#-2#
VOLTAGE:	380V
POWER:	370W
MAX.PRESSURE:	25MPA
DISCHARGE VOLUME:	1.3/1.9/3.5ML/MIN
OUTLET NUMBER:	1-24
TEMPERATURE:	-35-80°C
PRESSURE GAUGE:	WITHOUT
DISGITAL DISPLAY:	WITHOUT
LOW LEVEL SWITCH:	OPTIONAL
OIL INLETS:	FILLER CAP
OUTLET THREAD:	1/4



Dimensions

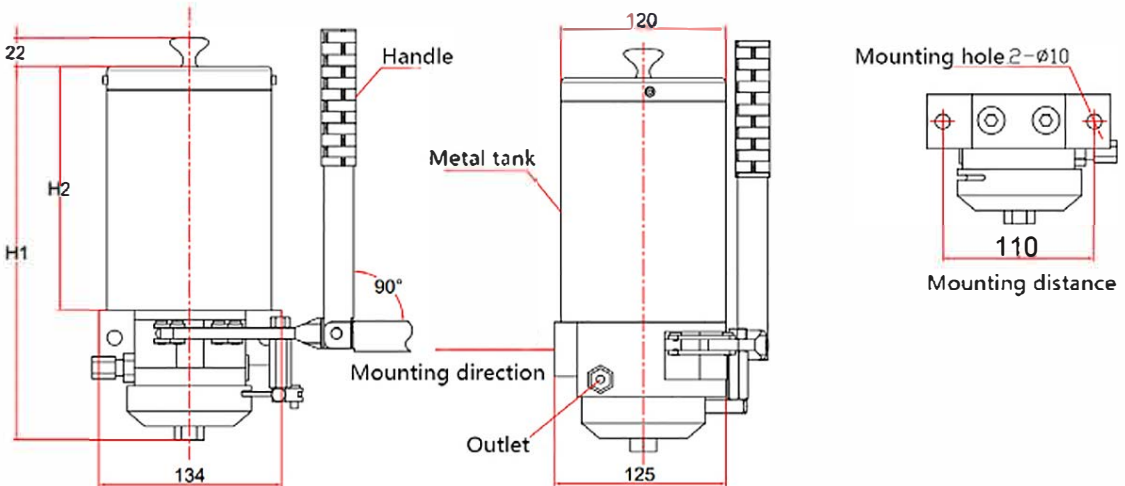
METAL TANK CAPACITY:	20L	30L	40L
1-12 OULETS HEIGHT(L)MM	600	730	960
13-24 OULETS HEIGHT(L)MM	640	770	1000

Product Parameters



MODEL:	BS-M TYPE HAND PUMP
RESERVIOR CAPACITY:	1.5L/2.5L/3.5L
LUBRICANT:	NLGI000#-1#
MAX.PRESSURE:	31.5MPA
DISCHARGE VOLUME:	2.0ML/CYC
OUTLET NUMBER:	1-2
TEMPERATURE:	-35-80°C
OIL INLETS:	FILLER CAP
OUTLET THREAD:	Φ6 Φ8 Φ10

BM-S-1.5L



Dimensions

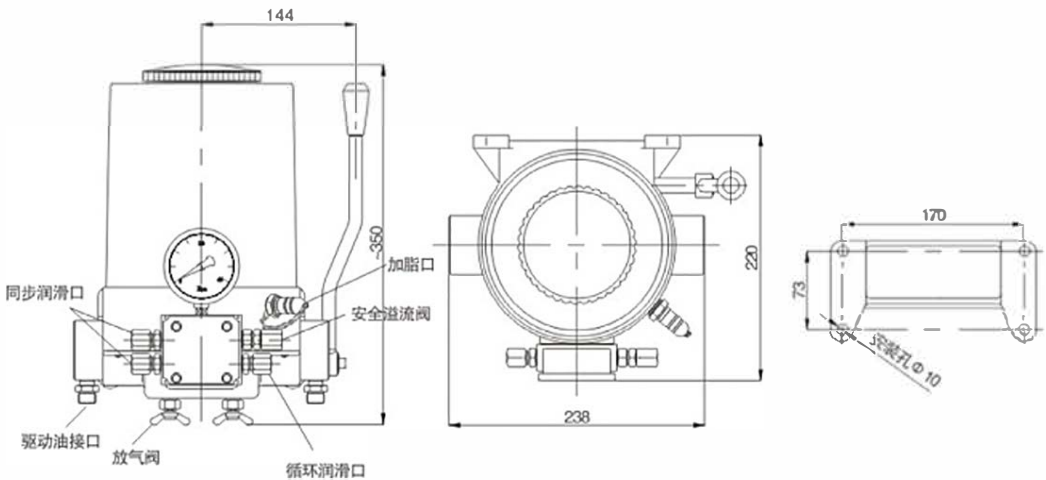
METAL TANK CAPACITY:	1.5L	2.5L	3.5L
H1 (MM)	275	381	467
H2(MM)	178	284	370

Product Parameters

MODEL:	DBM:Q
RESERVIOR CAPACITY:	4L
LUBRICANT:	NLG1000#-0#
PN:	16-19MPA
MAX.PRESSURE:	25MPA
HAND PUMP PN:	15MPA
HAND PUMP DISCHARGE:	0.5ML/CYC
CIRCULATING DISCHARGE:	0.2.0.3.0.4ML/CYC
SYNCHRONOUS DISCHARGE:	0.15.0.2.0.25ML/CYC
CYCLECOUNTING NUMBER:	1
SYNCHRONOUS COUNTING NUMBER:	2
TEMPERATURE:	-35-80°C
OIL INLETS:	FILLERCAP
OUTLET THREAD:	Φ6



DBM/Q

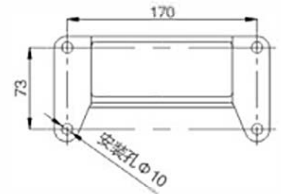
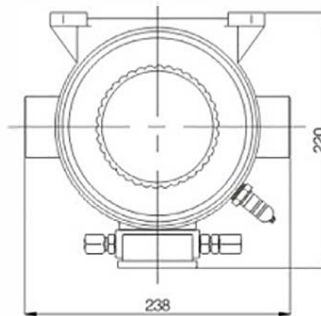
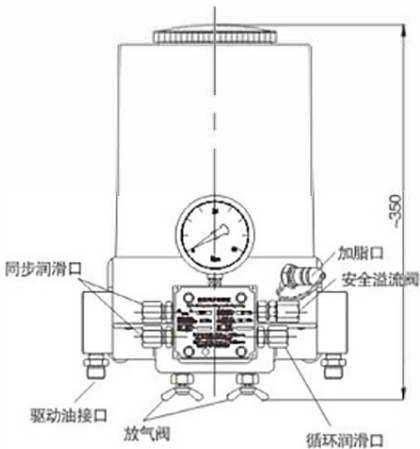


Product Parameters

MODEL:	DBM/B
RESERVIOR CAPACITY:	4L
LUBRICANT:	NLGI000#-0#
PN:	30MPA
MAX PRESSURE:	25MPA
HAND PUMP PN:	15MPA
HAND PUMP DISCHARGE:	0.5ML/CYC
CIRCULATING DISCHARGE:	0.2,0.3,0.4ML/CYC
SYNCHRONOUS DISCHARGE:	0.15,0.2,0.25ML/CYC
CYCLE COUNTING NUMBER:	1
SYNCHRONOUS COUNTING NUMBER:	2
TEMPERATURE:	-35-80°C
OIL INLETS:	FILLER CAP
OUTLET THREAD:	Φ6



DBM/Q

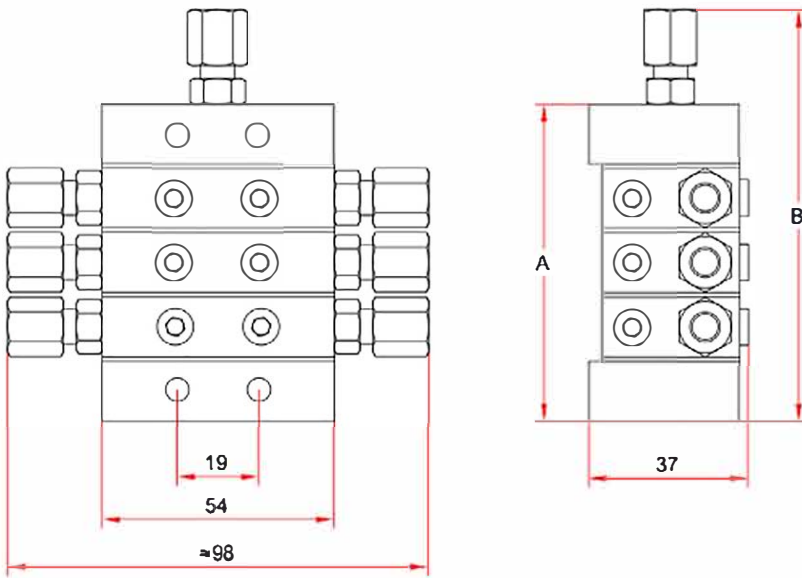


DIVIDER VALVES

Progressive Divider Valve Manifolds distribute and proportion incoming oil or grease to bearing points. Individual valve blocks operate in a “Progressive” sequence. During operation, the piston within the block must complete a full discharge cycle before another piston begins operation. As long as lubricant is supplied under pressure to the inlet section of the divider, manifold valve blocks will continue to operate in a progressive manner.

When lubricant flow is interrupted to the inlet block, piston movement stops. When flow resumes, piston movement commences at the same point in the discharge cycle. Feed lines deliver lubricant from the valve block to individual lube points. Should a discharge line become blocked, it will stop all the valves operating. Indicators and cycle switches are available to alert a blockage.

1000 DIVIDER VALVES

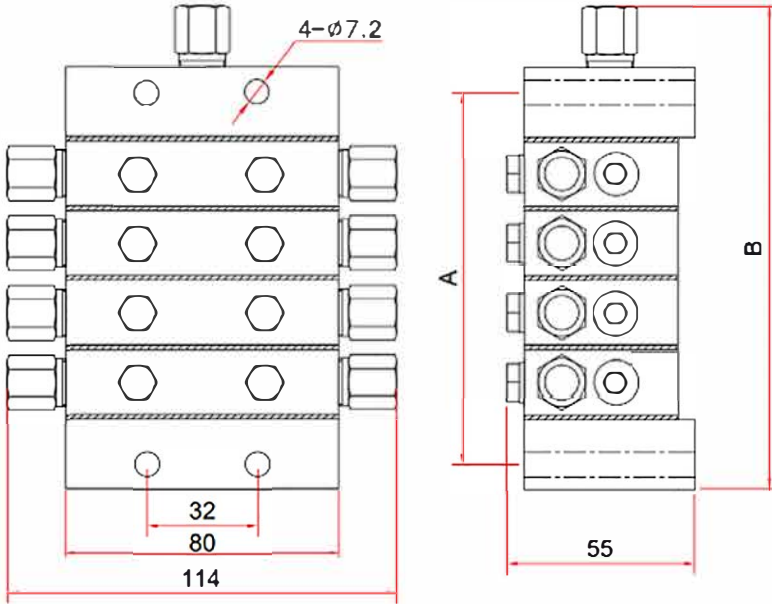


MIN-MAX PRESSURE (MPA)	INLET SIZE	OUTLET SIZE	WORKING CHIP SIZE (MM)	INSTALL HOLE DISTANCE (MM)	INSTALL THREAD	LENGTH (A)	OUTLET PIPE DIA (MM)	WORKING TEMPERATURE
1.4-16	M10*1 NPT 1/8	M10*1 NPT 1/8	54*32*14	18	4-M5	A=32+N*14 N CHIP NUMBER	STANDARD 6MM	-20°C TO +60°C



WORKING CHIPS	STANDARD FLOW	EACH CHIP OUTLET QUANTITY
1000-05T	0.08	2
1000-05S	0.16	1
1000-10T	0.16	2
1000-10S	0.32	1
1000-15T	0.24	2
1000-15S	0.48	1
1000-20T	0.32	2
1000-20S	0.64	1

2000 DIVIDER VALVES

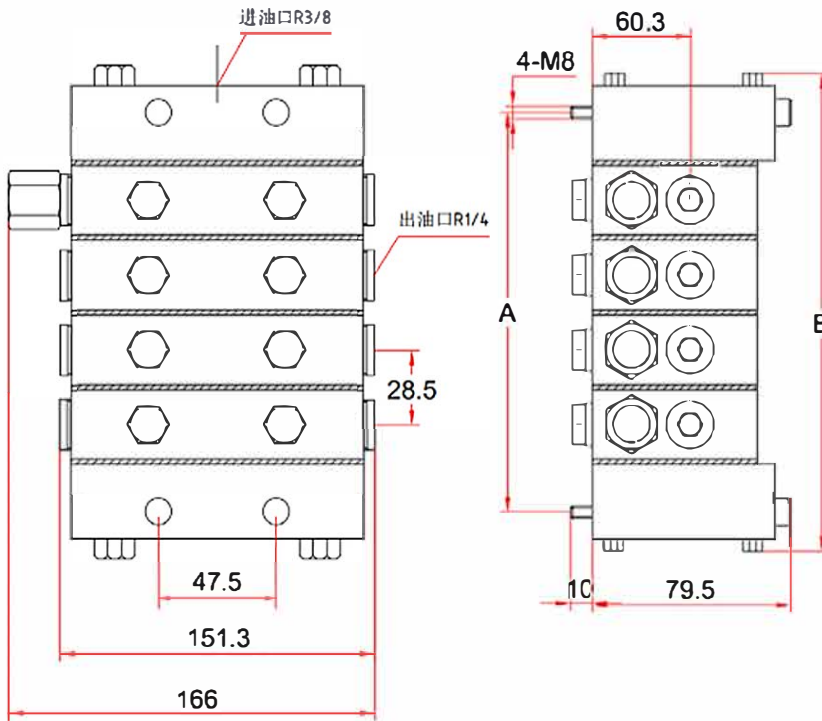


MIN-MAX PRESSURE (MPA)	INLET SIZE	OUTLET SIZE	WORKING CHIP SIZE (MM)	INSTALL HOLE DISTANCE (MM)	INSTALL THREAD	LENGTH (A)	OUTLET PIPE DIA (MM)	WORKING TEMPERATURE
1.4-25	M12*1.5	M10*1	80*45*19	32	4-M6	A=32+N*20.5 N CHIP NUMBER	STANDARD 6MM	-20°C TO +60°C



WORKING CHIPS	STANDARD FLOW	EACH CHIP OUTLET QUANTITY
2000-10T	0.16	2
2000-10S	0.32	1
2000-15T	0.24	2
2000-15S	0.48	1
2000-20T	0.32	2
2000-20S	0.64	1
2000-25T	0.40	2
2000-25S	0.80	1
2000-30T	0.48	2
2000-30S	0.96	1
2000-35T	0.56	2
2000-35S	1.12	1

3000 DIVIDER VALVES

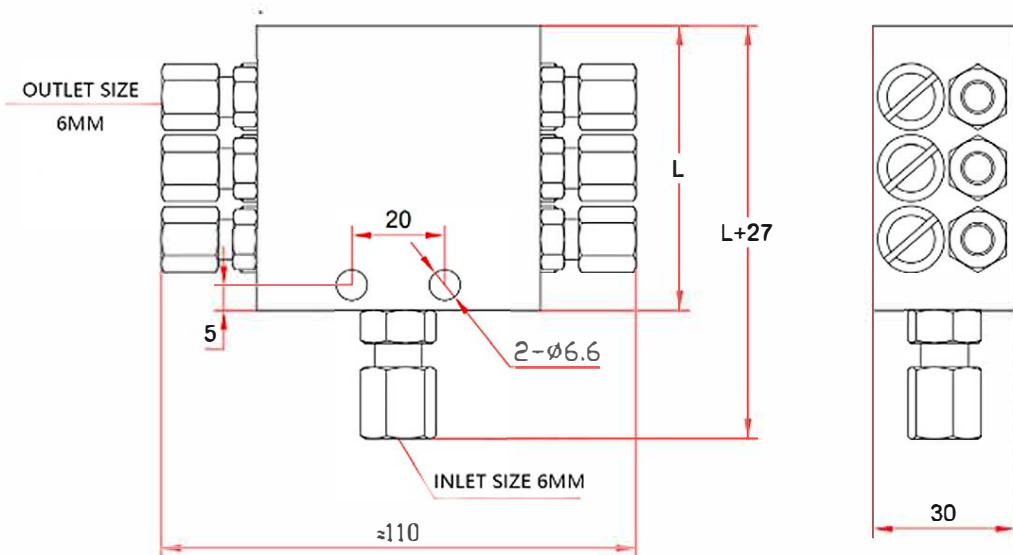


MIN-MAX PRESSURE (MPA)	INLET SIZE	OUTLET SIZE	WORKING CHIP SIZE (MM)	INSTALL HOLE DISTANCE (MM)	INSTALL THREAD	LENGTH (A)	OUTLET PIPE DIA (MM)	WORKING TEMPERATURE
1.4-16	RP3/8	RP1/4	128*70*28	47.6	4-M8	A=57.4+N*2 8.8 N CHIP NUMBER	STANDARD 6MM	-20°C TO +60°C



WORKING CHIPS	STANDARD FLOW	EACH CHIP OUTLET QUANTITY
3000-25T	0.4	2
3000-25S	0.8	1
3000-50T	0.8	2
3000-50S	1.6	1
3000-75T	1.2	2
3000-75S	2.4	1
3000-100T	1.6	2
3000-100S	3.2	1
3000-125T	2	2
3000-125S	4	1
3000-150T	2.4	2
3000-150S	4.8	1

MVB DIVIDER VALVES



MIN-MAX PRESSURE (MPA)	INLET SIZE	OUTLET SIZE	NOMINAL CAPACITY (ML/CY)	INSTALL HOLE DISTANCE (MM)	INSTALL THREAD	OUTLET PIPE DIA (MM)	WORKING TEMPERATURE
1.5-30	M10*1 NPT 1/8	M10*1 NPT 1/8	0.17	20	2-M6.6	STANDARD 6MM	-20°C TO +60°C



MODER:	OUTLET NUMBER	L (MM)	WEIGHT (KGS)
MVB-2/6	2-6	60	0.96
MVB-7/8	7-8	75	1.19
MVB-9/10	9-10	90	1.42
MVB-11/12	11-12	105	1.65
MVB-13/14	13-14	120	1.88
MVB-15/16	15-16	135	2.11
MVB-17/18	17-18	150	2.34
MVB-19/20	19-20	165	2.57

MVB ACCESSORIES



THREADED FITTINGS CHECK VALVE
(check valve for 4/6 mm tube)



QUICKLINK PLUG IN FITTINGS

check valve for 6 mm tube - high pressure
(for primary metering devices)

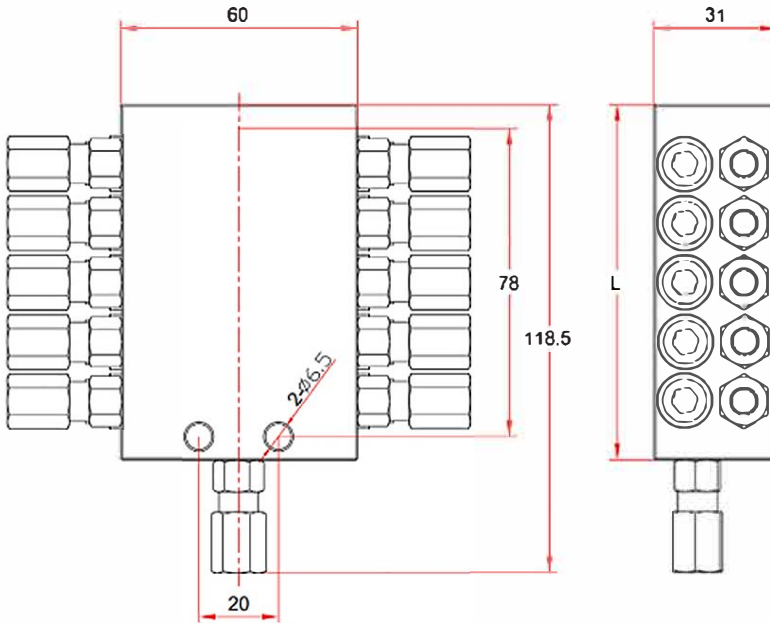
check valve for 4 mm tube - medium pressure
(for secondary metering devices)



OUTLET CLOSURE PLUG

outlet closure plug M 10 x 1
Only required when closure plug does not seal

JPQA DIVIDER VALVES



MIN-MAX PRESSURE (MPA)	INLET SIZE	OUTLET SIZE	NOMINAL CAPACITY (ML/CY)	INSTALL HOLE DISTANCE (MM)	INSTALL THREAD	OUTLET PIPE DIA (MM)	WORKING TEMPERATURE
1.5-25	M10*1 NPT 1/8	M10*1 NPT 1/8	0.25	20	2-M6.5	STANDARD 6MM	-20°C TO +60°C



MODER:	OUTLET NUMBER	L (MM)	WEIGHT (KGS)
JPQA-2/6	2-6	60	0.86
JPQA-7/8	7-8	75	1.15
JPQA-9/10	9-10	90	1.44
JPQA-11/12	11-12	105	1.73
JPQA-13/14	13-14	120	2.02
JPQA-15/16	15-16	135	2.31

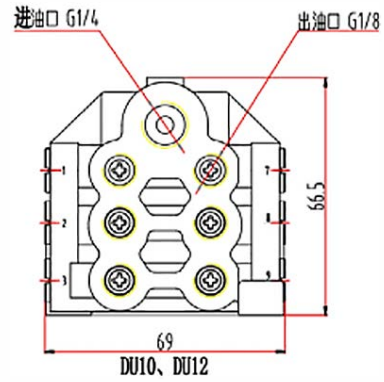
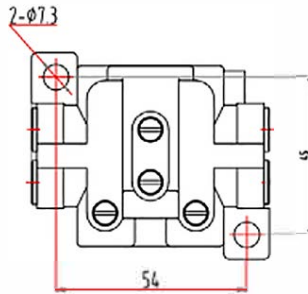
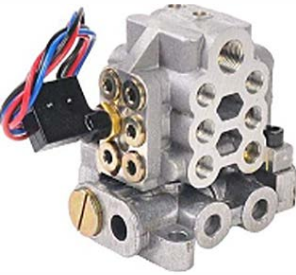
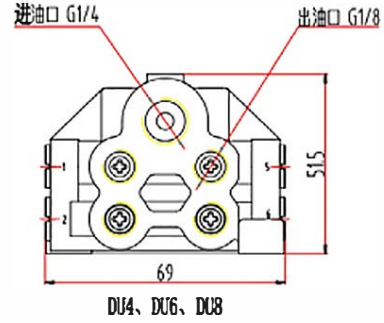
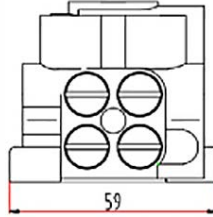
ENERGY POWER SAVE CO.,LTD

442/2 Chan Road, Thungwat-Don Sathon Bangkok Thailand 10120 Email : info@7-mars.com

TEL : +66 (02) 114 7145-9 Auto. 5Line **Skype** : energypowersave

www.7-Mars.com

U TYPE DIVIDER VALVES



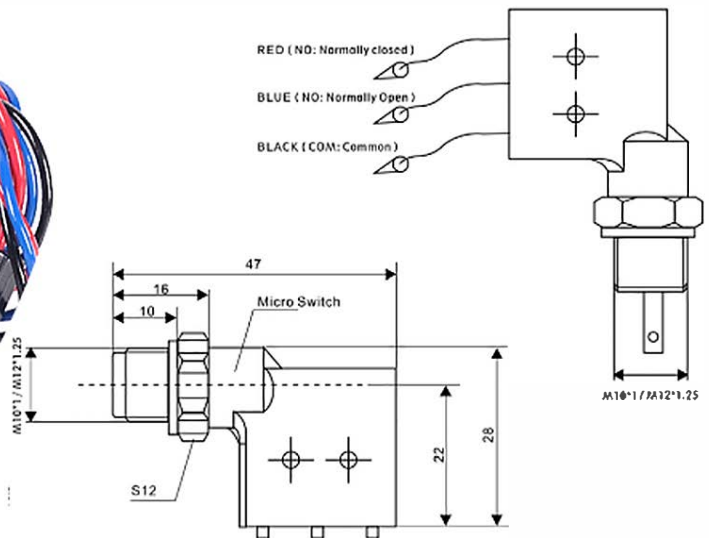
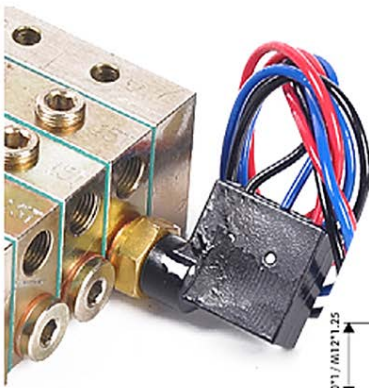
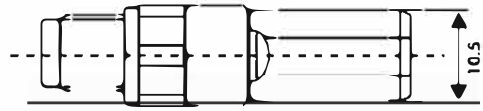
MIN-MAX PRESSURE (MPA)	INLET SIZE	OUTLET SIZE	NOMINAL CAPACITY (ML/CY)	INSTALL HOLE DISTANCE (MM)	INSTALL THREAD	OUTLET PIPE DIA (MM)	WORKING TEMPERATURE	LUBRICANT
1.5-15	G 1/4	G 1/8	0.3(DU) 0.3-3.0(DMU)	60	2-M6.8	STANDARD 6MM	-20°C TO + 60°C	NLG1000#- 1#

MODER:	OUTLET NUMBER	L(MM)	WEIGHT(KGS)
DU-2/8	2-8	51.5	0.86
DU-9/12	9-12	66.5	1.44
DMU-13/16	13-16		

DIVIDER VALVES ACCESSORIES



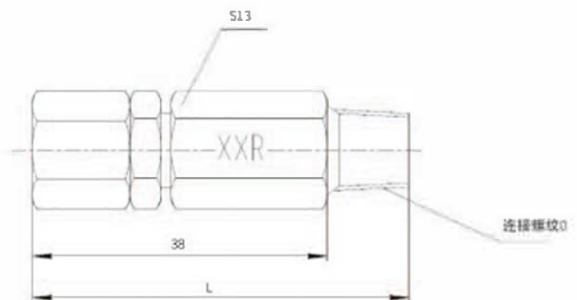
CYCLE INDICATOR PIN
(FIT FOR ALL DIVIDER VALVES)



ELECTRICAL SWITCH CYCLE INDICATOR

(FIT FOR ALL DIVIDER VALVES EXCEPT JPQA TYPE)

An optional cycle indicator in the valve block assembly monitors lubricant flows through the assembly. Pin cycles in and out with piston movement. An electrical mechanical device can be mounted on valve block to monitor normal operation of the divider.



PRESSURE ALARM

ENERGY POWER SAVE CO.,LTD

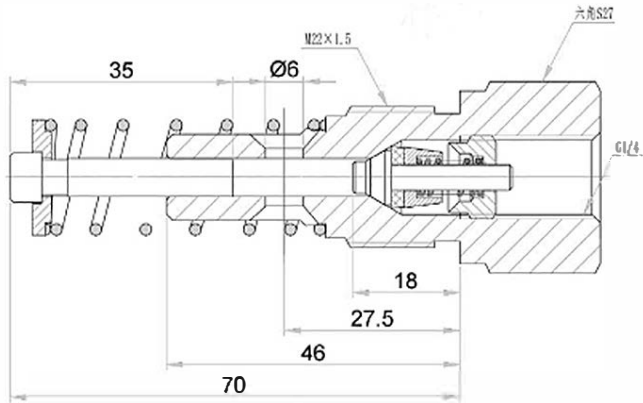
442/2 Chan Road, Thungwat-Don Sathon Bangkok Thailand 10120 Email : info@7-mars.com
TEL : +66 (02) 114 7145-9 Auto. 5Line **Skype** : energypowersave
www.7-Mars.com

PUMP ELEMENTS

1. This pump elements series is specially designed for the electric piston pump.
2. The flow rate is 0.1, 0.14, 0.19, 0.25ml/cyc
3. When install on pump match a check valve to prevent the discharged grease from flowing backwards.
4. It can be set an overpressure indicator rod, the overflow grease will return to the grease drum with a rotary joint.
5. Nominal Pressure 20 MPa. The highest working pressure: 35MPa.
6. Pressure Gauge, Measure Range 0-40Mpa
7. Applicable Medium : NLGI NO#000-#2



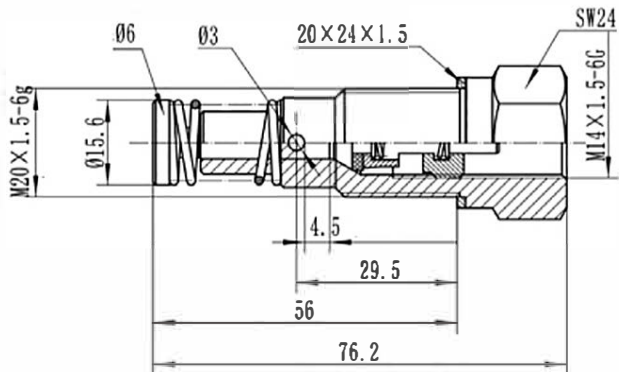
K6



Type	Piston OD (mm)	Thread (male)	Thread (female)	Output ml/cyc
K5	5	M22 X 1.5	1/4 BSPP	0.1
K6	6	M22 X 1.5	1/4 BSPP	0.14
K7	7	M22 X 1.5	1/4 BSPP	0.19
K8	8	M22 X 1.5	1/4 BSPP	0.25



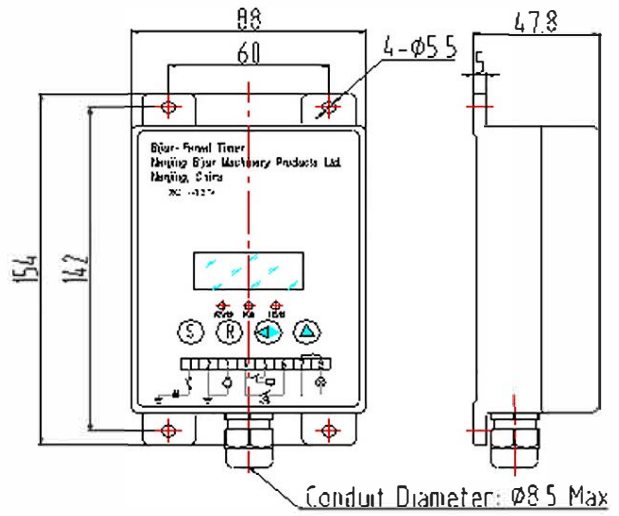
U1



Type	Piston OD (mm)	Thread (male)	Thread (female)	Output ml/cyc
U1	6	M20*1.5	1/4 BSPP	0.14

GREASE LUBRICATION ACCESSORIES

PROGRAM CONTROLLER

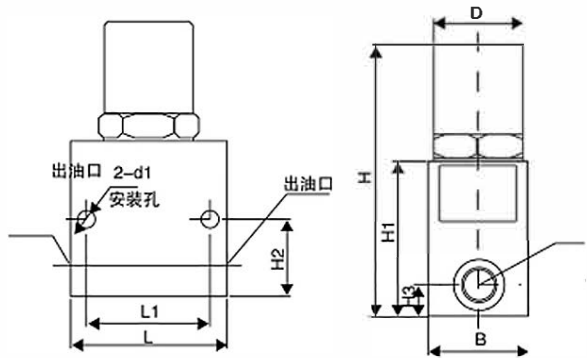


ITEM	INPUT VOTAGE	OUT PUT VOTAGE	LOAD POWDER	RUNNING TIME	INTERVAL TIME	CONTROL MODE	ALARM TIME	APPLICATION
SM-AC	220VAC	220VAC	<120W	1-999S	1-999M	TIME/PRESS SWITCH/CYCLE SWITCH/FREQUENCY	BUZZER/PANEL DISPLAY/RELAY CONTACT	DBS,DBT PUMPS
SM-DC	24VDC	24VDC	<60W	1-999S	1-999M	TIME/PRESS SWITCH/CYCLE SWITCH/FREQUENCY	BUZZER/PANEL DISPLAY/RELAY CONTACT	DBS,DBT PUMPS

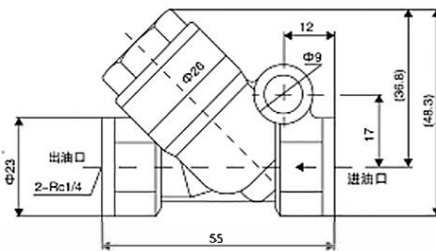
GREASE FILTER



LQY



ELS



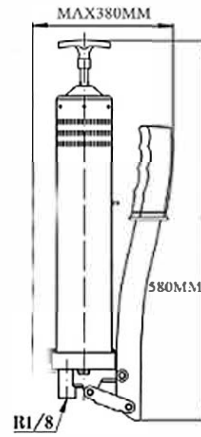
Model	Max.Pressure	Filter Accuracy	Inlet Screw	Inlet Screw	Grease Viscosity
LQY	25MPA	100 μ m	RP1/4	RP1/4	NLGI 000-2#
ELS	25MPA	150 μ m	RP1/4	RP1/4	NLGI 000-2#

MANUAL GREASE FILLER

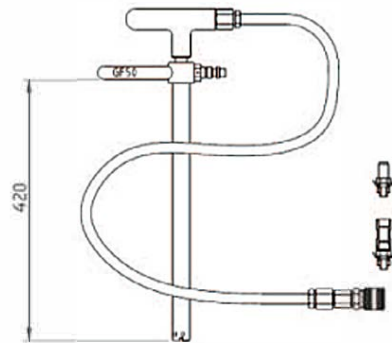
1. It's suitable for adding oil to kinds of thin oil and grease lubrication pumps.
2. Insert the Gun into the standard 15kg barreled commodity grease barrel for operation.
3. Easy to carry and easy to operate, and widely used.
4. Equipped with 1.5 m hose and push-in fitting.
5. Use medium: 000#, 00#, 0#, 1# lithium base grease. N22-N320 mechanical oil.
6. Working temperature: -20°C-80°C.



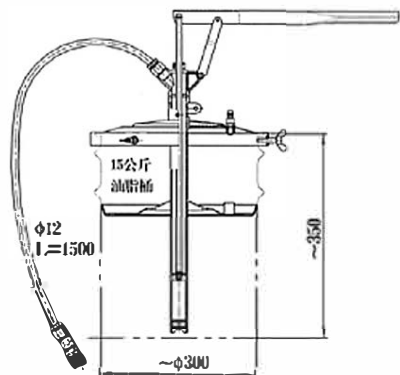
YA



GF-50



PGF-50



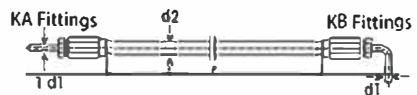
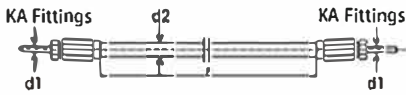
HIGH PRESSURE HOSE



SIZE	O.D(MM)	I.D (MM)	W.P WORKING PRESSURE (MPA)
6*3	6	3	20
8.6*4.2	8.6	4.2	20
8.8*4.2	8.8	4.2	20
10*6	10	6	20
11*6	11	6	20

SPECIFICATION FOR POLYURETHANE TUBE (Lubrication Hose)	
Product features	Max temperature at pennonment use +80°C
	Min temperature -20°C
	Slight length deviation at operating pressure lessthen +-3%
	Neutral reading the most at mospheric influences
	Good proportion between inside and outside diametre
	low welght

SCREW SLEEVE / HOSE STUD



KA-6

KA FITTING	KA-4	KA-6	KA-8	KA-10
PIN SIZE (d1)	Φ4	Φ6	Φ8	Φ10
HOSE TO FIT (d2)	8.6*4.2/8.8*4.2	8.6*4.2/8.8*4.2/10*6/11*6	8.6*4.2/8.8*4.2/11*6	11*6



KB-6

KB FITTING	KB-6	KB-8
PIN SIZE (d1)	Φ6	Φ8
HOSE TO FIT (d2)	8.6*4.2/8.8*4.2/10*4	8.6*4.2/8.8*4.2/11*6

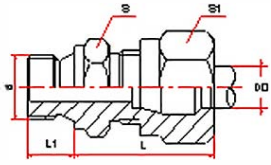


KC-6

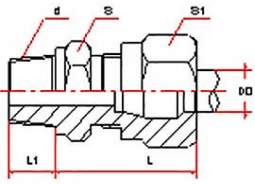
KC FITTING	KC-6	KC-8
PIN SIZE (d1)	Φ6	Φ8
HOSE TO FIT (d2)	8.6*4.2/8.8*4.2	8.6*4.2/8.8*4.2

F size according customer's need

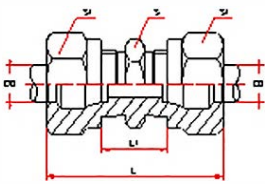
ADAPTORS



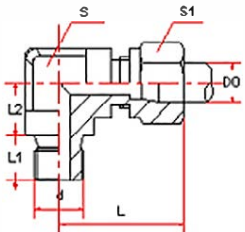
ITEMS	Tube OD.DO	SIZE(mm)				
		L1	L \approx	d	S	S1
80700111	$\phi 6$	8	22	M6 \times 1	11	12
80701411	$\phi 6$	10	23	M8 \times 1	12	14
80701511	$\phi 6$	10	23	M10 \times 1	12	12
80701711	$\phi 8$	10	30	M12 \times 1.5	17	17
80703011	$\phi 8$	10	30	M14 \times 1.5	18	18
80704211	$\phi 12$	12	34	M16 \times 1.5	21	24



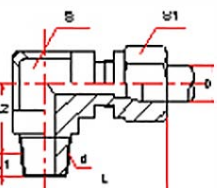
ITEMS	Tube OD.DO	SIZE(mm)				
		L1	L \approx	d	S	S1
80700211	$\phi 6$	8	21	R1/8	12	12
80700811		8	21	NPT1/8	12	12
80702011		14	26	R1/4	14	14
80700611	$\phi 8$	12	30	R1/8	14	17
80701211		12	30	R1/4	14	17
80701111		14	32	R3/8	17	17
80702711	$\phi 10$	10	29	R1/8	17	19
80702211		15	30	R1/4	17	19
80702511		14	30	R3/8	17	19
80700311	$\phi 12$	13	33	R1/4	19	22
80700411		14	33	R3/8	19	22



ITEMS	Tube OD.DO	SIZE(mm)			
		L1	L \approx	S	S1
80800411	$\phi 6$	17	48	12	14
80800511		15	40	11	12
80800311	$\phi 8$	15	50	14	17
80800211	$\phi 10$	20	57	17	19



ITEMS	Tube OD.DO	SIZE(mm)				
		L1	L \approx	d	S	S1
81002211	$\phi 4$	10	30	M10 \times 1	14	13
81000811		12	27	M8 \times 1	14	12
81000711	$\phi 6$	12	27	M10 \times 1	14	12
81001411		10	26	M6 \times 1	11	12
81001311	$\phi 8$	14	40	M14 \times 1.5	17	17
81001211		11	58	M10 \times 1	13	17



ITEMS	Tube OD.DO	SIZE(mm)				
		L1	L \approx	d	S	S1
81000911	$\phi 6$	10	28	R1/8	11	12
81000111		10	28	NPT1/8	11	12
81000511		15	37	R1/4	13	14
81001111		16	30	R3/8	15	14
81000311	$\phi 8$	14	25	R1/8	13	17
81000411		14	37	R1/4	14	17

Distributor :

ENERGY POWER SAVE CO.,LTD

442/2 Chan Road, Thungwat-Don Sathon Bangkok Thailand 10120 Email : info@7-mars.com

TEL : +66 (02) 114 7145-9 Auto. 5Line **Skype** : energypowersave
www.7-Mars.com

PayPal

VISA

