
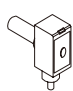

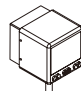
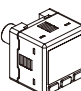
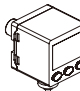
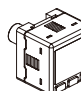
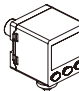
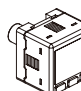






### Selector table

- Standard type
- ① Standard type (for MP41)
- ② Extra purchase (T8 bracket: Rc1/4 + Fitting: R1/4 → Rc1/8)
- ③ Extra purchase (Gauge adapter set)
- ④ Extra purchase (Gauge adapter set + Fitting: R1/8 → Rc1/4)

Model		Pneumatic pressure switch		High precision digital pressure switch							Pneumatic pressure switch
		MP1	MP10-F1	MP30	MP41	MP43	MP45	MP47	MP50 MP75	MP70	MPS
Pictures											
Model	Port size	R1/8	R1/8	R1/8	—	R1/8	R1/8	R1/8	R1/4	R1/8	R1/8
MACP200	Rc1/8					●	●	●		●	
MACP300*	Rc1/8	②	②	②		●	●	●		●	②
MACP302	—	②	②	②	①	③	③	③	④	③	②
MACP400	Rc1/4								●		
MACP401	—	②	②	②	①	③	③	③	④	③	●
MACP402	Rc1/4								●		
MACP403	—	②	②	②	①	③	③	③	④	③	●
MACP501	—	②	②	②	①	③	③	③	④	③	②
MACC300	Rc1/8					●	●	●		●	
MACT200	Rc1/8					●	●	●		●	
MACT300*	Rc1/8	②	②	②		●	●	●		●	②
MACT302	—	②	②	②	①	③	③	③		③	②
MACT400	Rc1/4								●		
MACT401	—	②	②	②	①	③	③	③	④	③	●
MACT402	Rc1/4								●		
MACT403	—	②	②	②	①	③	③	③	④	③	●
MACT501	—	②	②	②	①	③	③	③	④	③	②
MAFR200	Rc1/8					●	●	●		●	
MAFR300*	Rc1/8					●	●	●		●	
MAFR302	—	②	②	②	①	③	③	③		③	②
MAFR400	Rc1/4								●		
MAFR401	—				①	③	③	③		③	
MAFR402	Rc1/4								●		
MAFR403	—				①	③	③	③		③	
MAFR501	—				①	③	③	③		③	
MAR200	Rc1/8					●	●	●		●	
MAR201	Rc1/8					●	●	●		●	
MAR300	Rc1/8					●	●	●		●	
MAR301	Rc1/8					●	●	●		●	
MAR302	—	②	②	②	①	③	③	③		③	②
MAR400	Rc1/4								●		
MAR401	—				①	③	③	③		③	
MAR402	Rc1/4								●		
MAR403	—				①	③	③	③		③	
MAR501	—				①	③	③	③		③	

\* 300L specification is the same as the 300 series.

- Standard type ③ Extra purchase (Gauge adapter set)
- Male thread type (Code: M1, M2, N1, N2)

Model		Digital pressure gauge		Pressure gauge
		MP23	MPG-60	PG
Pictures				
Model	Port size	R1/8	R1/8	—
MACP200	Rc1/8	○	●	●
MACP300*	Rc1/8	○	●	●
MACP302	—	○	③	③
MACP400	Rc1/4	○		●
MACP401	—	○	③	③
MACP402	Rc1/4	○		
MACP403	—	○	③	③
MACP501	—	○	③	③
MAcc300	Rc1/8	○	●	●
MACT200	Rc1/8	○	●	●
MACT300*	Rc1/8	○	●	●
MACT302	—	○	③	③
MACT400	Rc1/4	○		●
MACT401	—	○	③	③
MACT402	Rc1/4	○		
MACT403	—	○	③	③
MACT501	—	○	③	③
MAFR200	Rc1/8	○	●	●
MAFR300*	Rc1/8	○	●	●
MAFR302	—	○	③	③
MAFR400	Rc1/4	○		●
MAFR401	—	○	③	③
MAFR402	Rc1/4	○		
MAFR403	—	○	③	③
MAFR501	—	○	③	③
MAR200	Rc1/8	○	●	●
MAR201	Rc1/8	○	●	●
MAR300	Rc1/8	○	●	●
MAR301	Rc1/8	○	●	●
MAR302	—	○	③	③
MAR400	Rc1/4	○		●
MAR401	—	○	③	③
MAR402	Rc1/4	○		
MAR403	—	○	③	③
MAR501	—	○	③	③

\* 300L specification is the same as the 300 series.

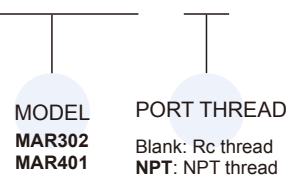
### Order example of male thread type

MP23 — Standard order example — M1

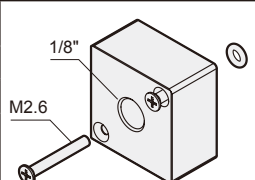


### Order example of gauge adapter set

A — MAR302 — □

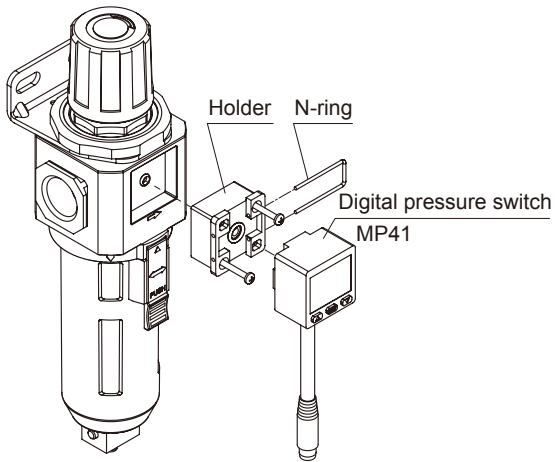


Order example	Applicable model
A-MAR302-□	MAR302, MAFR302
A-MAR401-□	MAR401, MAFR401
A-MAR302-□ (With 302 shared)	MAR401-W, MAFR401-W MAR403, MAFR403 MAR501, MAFR501

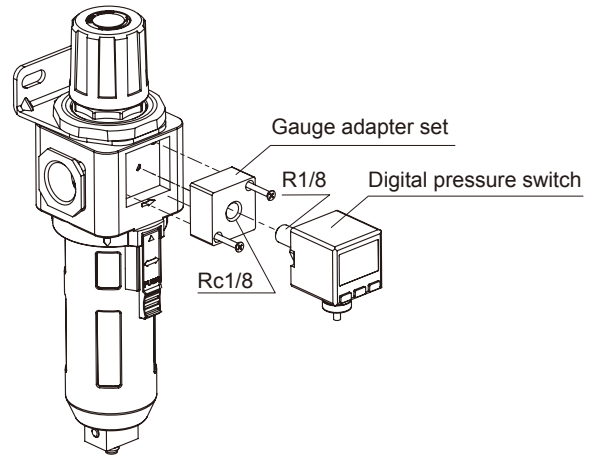


\* Recommended tightening torque is between 1.5 to 2.5 Nm for the female thread (1/8") and 0.3 to 0.5Nm for the screws(M2.6).

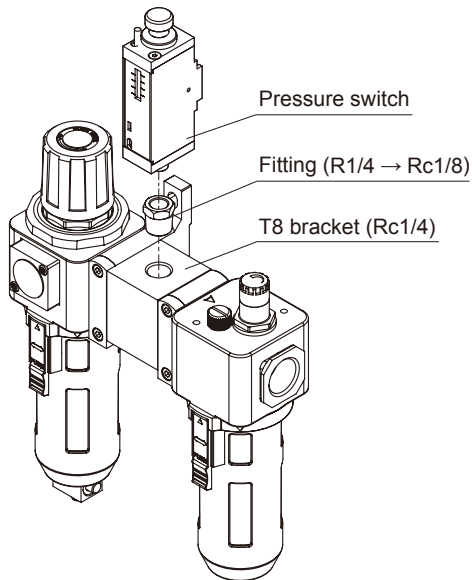
### 1 Standard type (for MP41)



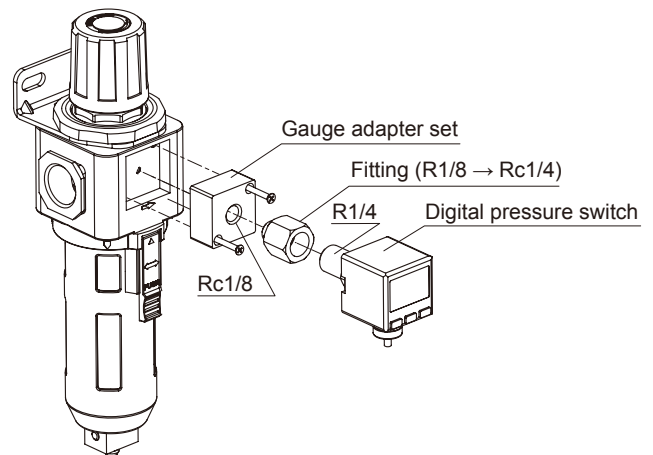
### 3 Extra purchase (Gauge adapter set)



### 2 Extra purchase (T8 bracket + Fitting)



### 4 Extra purchase (Gauge adapter set + Fitting)



Switch Accessories	MP10	MP23	MP30	MP41	MP43	MP45	MP47	MP50 MP75	MP70	MP400	MP7800 MP800	MPG-60	MPDS MPGS	MF01 MFP01	MF02 MFP02
MP-A1		●				●									
MP-A2		●													
MP-A5												●			
MP-A6												●			
MP-A8										●					
MP-A9										●					
MP-A10						●		●							
MP-A11						●		●							
MP-A12					●				●						
MP-A13					●				●						
MP-A17						●									
MP-A18													●		
MP-A19													●		
MP-A20											●				
MP-A21											●				
MP-A22							●								
MP-A23							●								
MP-A26														●	
MP-A27															●
MP-A28															●
MP-B1		●													
MP-B2					●		●		●	●	●	●			
MP-B3						●		●					●		
MP-B4														●	
MP-C1		●													
MP-C2					●		●		●	●	●	●			
MP-C3						●		●					●		
MP-C4														●	
MP-D1		●	●	●											
MP-D2	●														
MP-E1								●							
MP-E2								●							
MP-FA										●					
MP-FB										●					
MP-FC										●					

Model	Description
MP-A	Mounting bracket
MP-B	Panel adapter
MP-C	Panel adapter + Front protective lid
MP-D	M8,3(4) Pin female connector
MP-E	Snubber
MP-F	Sensor connector

Type	Model
Pressure switch	MP10
High precision digital pressure switch	MP30, MP41, MP43, MP45, MP47, MP50, MP75, MP70
Pressure controller	MP400
Differential pressure sensor	MP7800, MP800, MPDS
Digital pressure gauge	MP23, MPG-60
Gap sensor	MPGS01
Digital flow sensor	MF01, MF02, MFP01, MFP02