



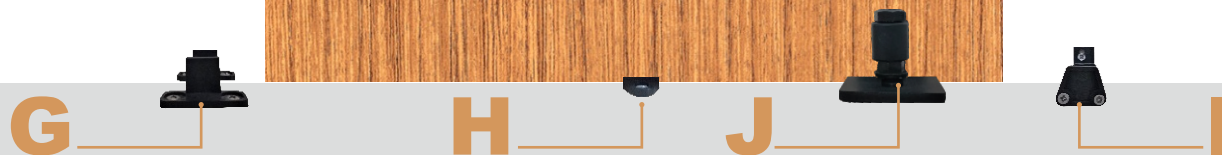
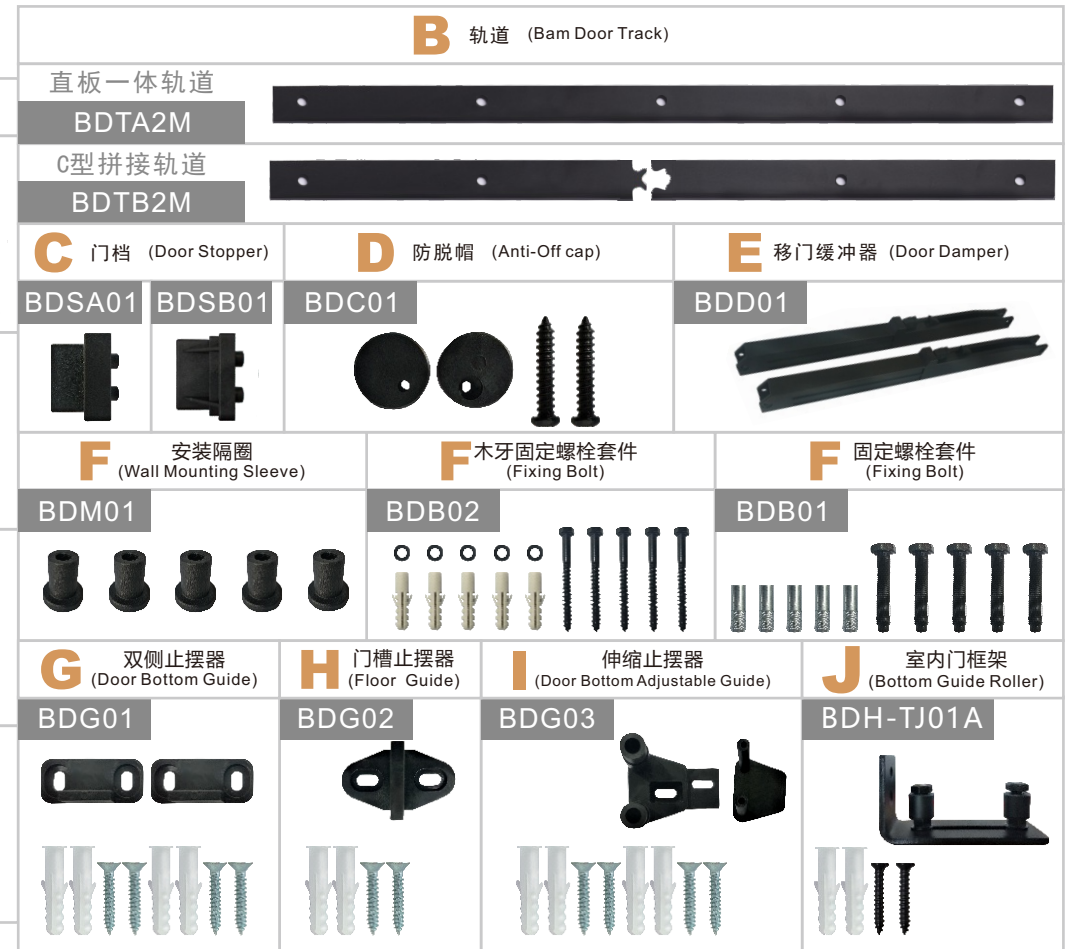
Barn Door Hardware

• 谷仓门五金 •

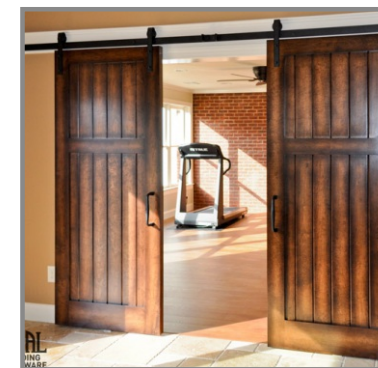
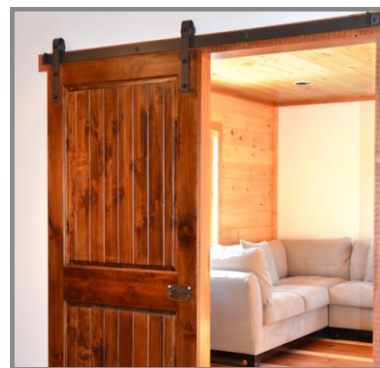
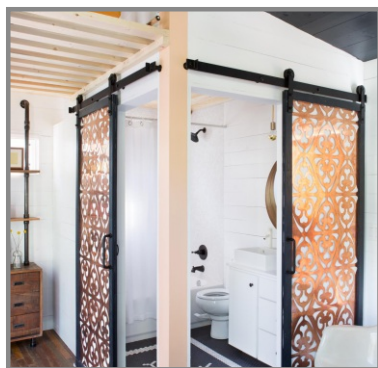
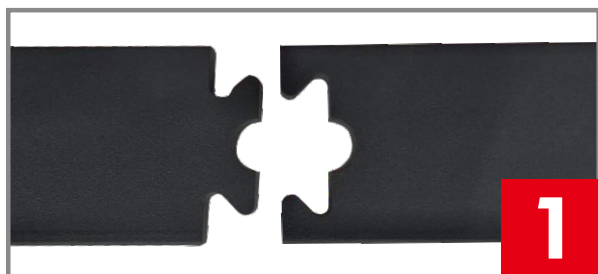
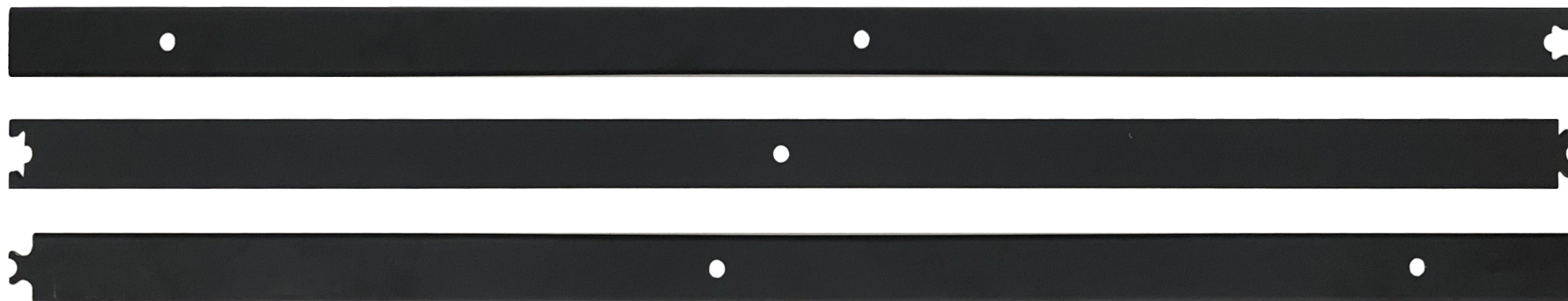


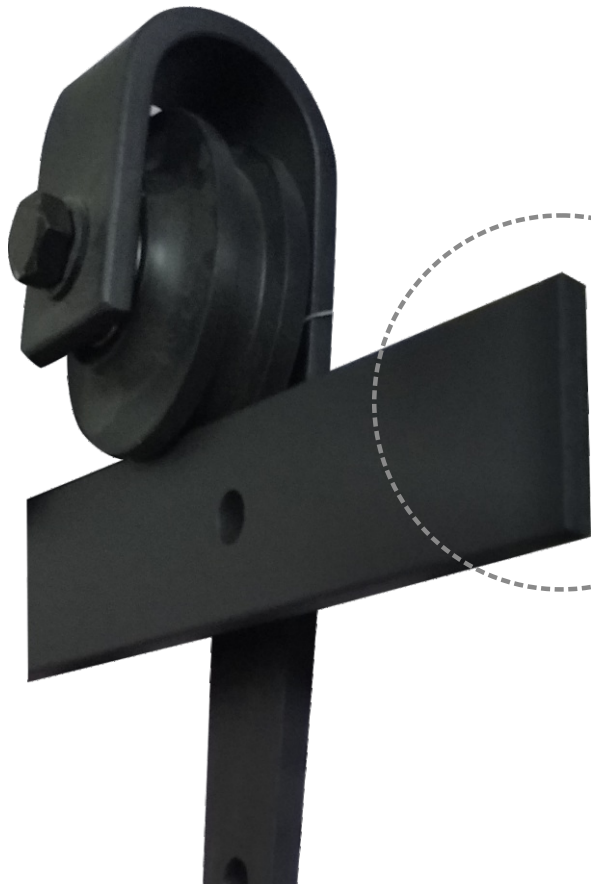
SPECIAL ACCESSORIES FOR METAL GATE, DOORS AND FENCES

Barn Door Accessories




拼接轨道 Jointed Track with Bent Edge





重量：3.71KG/2米
WT (KG) 3.71KG/2M


侧视图




40mm
6mm

侧面
长方形

直板轨道
Flat Track



门档
(Door Stopper)
BDSA01
材料：锌合金
Zinc alloy



安装隔圈
(Wall Mounting Sleeve)
BDM01
尺寸(size) : 20*34mm

一体轨道

Whole Track

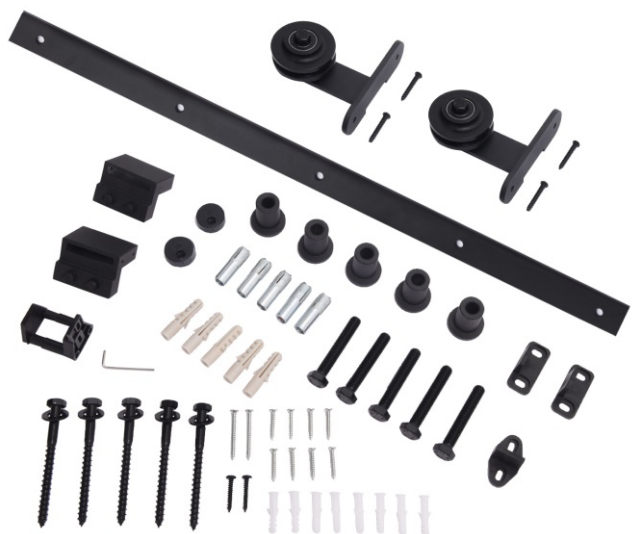
介绍	一体轨道长度只两米，不能延长，也不能缩短	Introduction	Whole Track 2m only, cannot be lengthened or shortened
规格	2M(长)*40MM(宽)*6MM(弯边厚度)	Specification	2M(length)*40MM(width)*6MM(thickness)
材料	扁钢	Material	Flat Steel
表面处理	喷漆	Surface Finishing	Painting



NO:BDHA01
弯钩直板滑轮
Bent plate barn door roller




NO:BDHA02
箭头滑轮
Arrow barn door roller



NO:BDHA03
弯板滑轮
T-shaped barn door roller

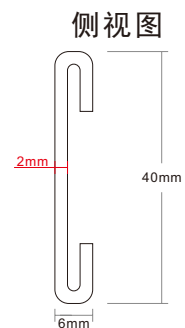


NO:BDHA04
双轮马蹄形滑轮
U-shaped barn door roller
with double rollers



重量：1.82KG/2米
WT (KG) 1.82KG/2M

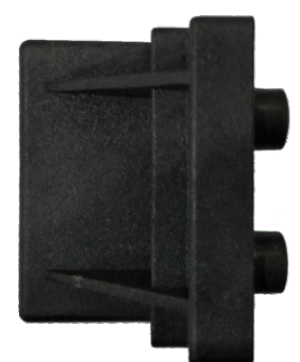
侧面
C字形



侧视图

40mm
6mm
2mm


C型轨道
C Shape Track



门档
(Door Stopper)

BDSB01

材料：增加尼龙
Polyamide Nylon



安装隔圈
(Wall Mounting Sleeve)

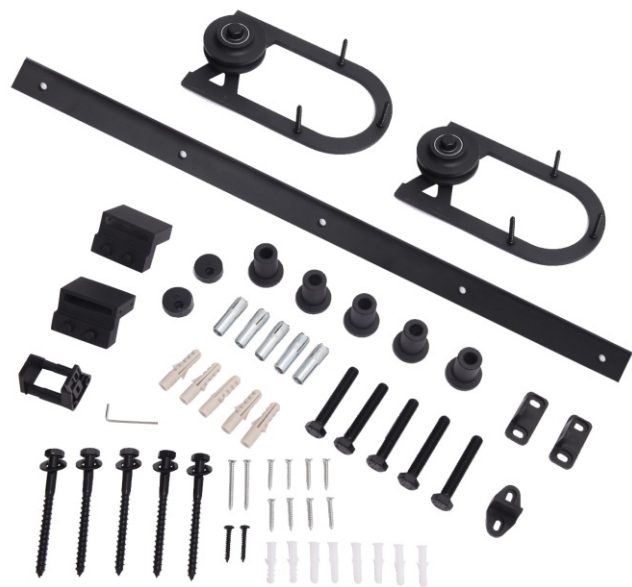
BDM01

尺寸(size) : 20*38mm

拼接轨道

Jointed Track with Bent Edge

介绍	弯边拼接轨道两边弯曲成型。标准长度是两米，由两根一米轨道拼接而成	Introduction	Jointed Track with Bent Edge, standard length 2m, jointed with two 1m tracks.				
优点	便于使用者根据门的宽度，自由地拼接长度，比如三米、四米、五米、六米等等	Advantages	jointed freely according to door width, for example, 3m, 4m, 5m 6m etc.				
	单根轨道一米，方便包装和运输		comparing to the 2m track, 1m track is easy to pack or delivery.				
	价格更加有竞争的优势		more competitive low prices.				
规格	镀锌板防锈	Specification	Zinc Plate material is antirust.				
材料	2M(长)*40MM(宽)*6MM(弯边厚度)	Material	2M (length)*40MM (width)*6MM (thickness of bent edge)				
	镀锌板	表面处理	喷漆	Material	Zinc Plate	Surface Finishing	Painting



NO:BDHA05

单轮马蹄形滑轮
U-shaped barn door roller
with single rollers



NO:BDHA06

直板滑轮
Straight plate barn door
roller



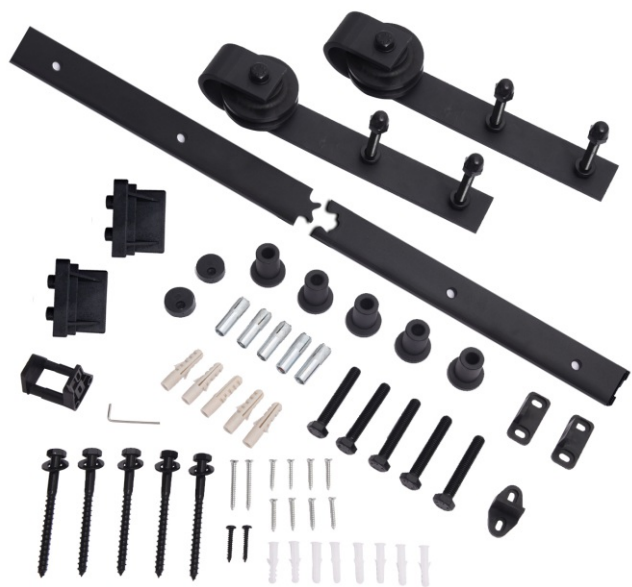
NO:BDHA07

菱形滑轮
Rhombus barn door roller



NO:BDHA08

单轮带弯钩118滑轮
U-shaped barn door roller
with singer rollers



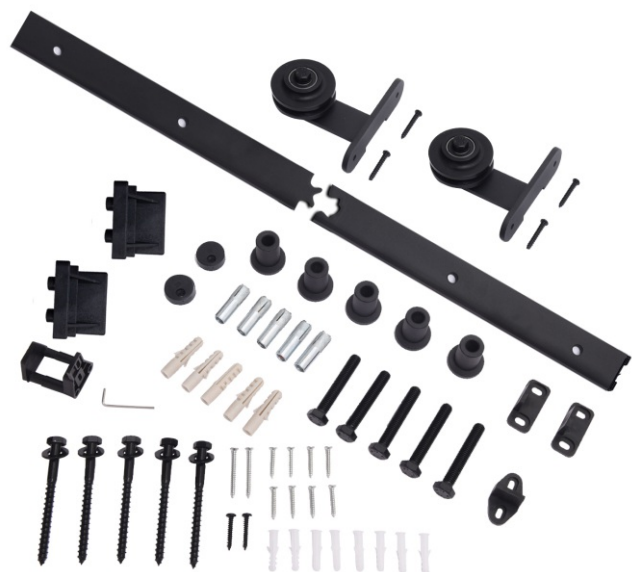
NO:BDHB01

弯钩直板滑轮
Bent plate barn door roller



NO:BDHB02

箭头滑轮
Arrow barn door roller



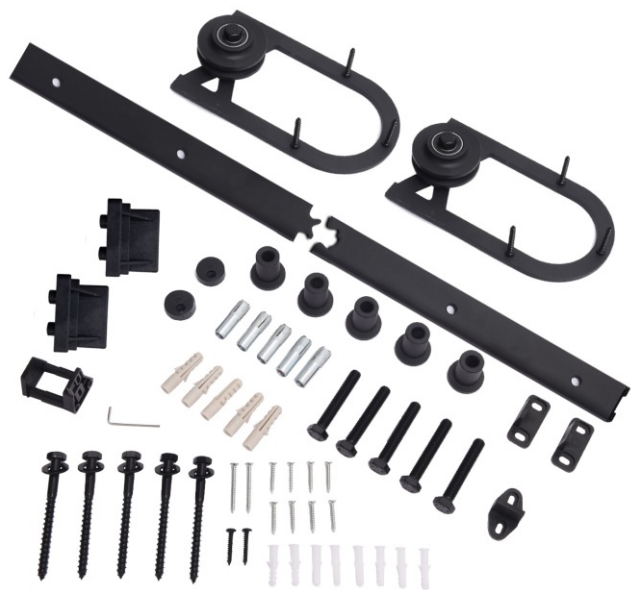
NO:BDHB03

弯板滑轮
T-shaped barn door roller



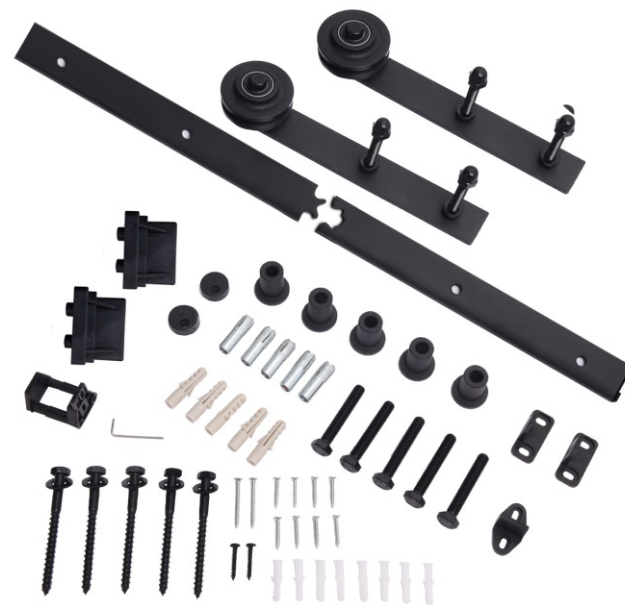
NO:BDHB04

双轮马蹄形滑轮
U-shaped barn door roller
with double rollers



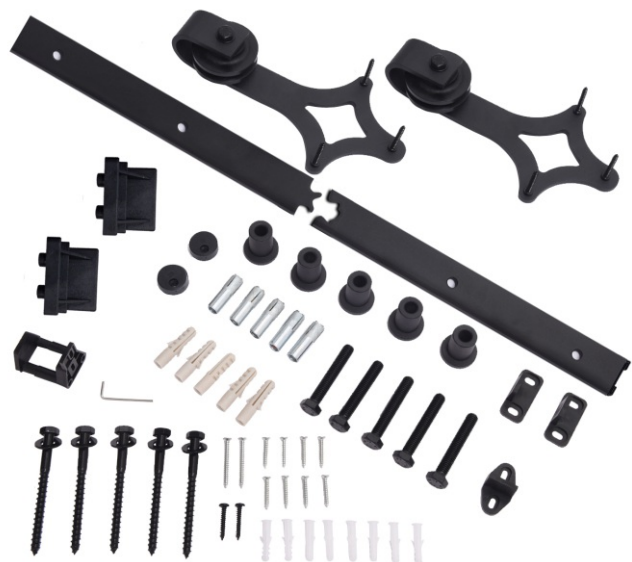
NO:BDHB05

单轮马蹄形滑轮
U-shaped barn door roller
with single rollers



NO:BDHB06

直板滑轮
Straight plate barn door
roller



NO:BDHB07

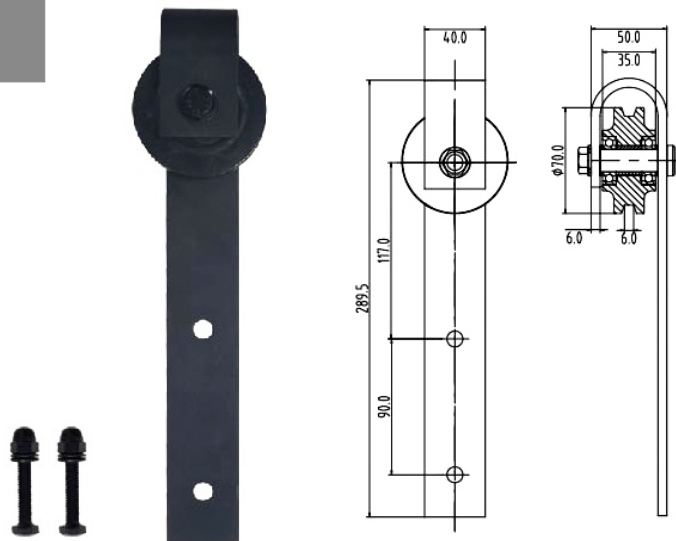
菱形滑轮
Rhombus barn door roller



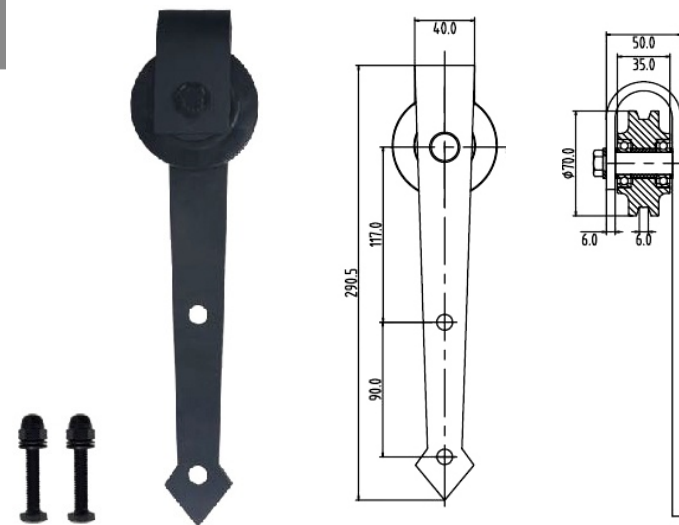
NO:BDHB08

单轮带弯钩118滑轮
U-shaped barn door roller
with singer rollers

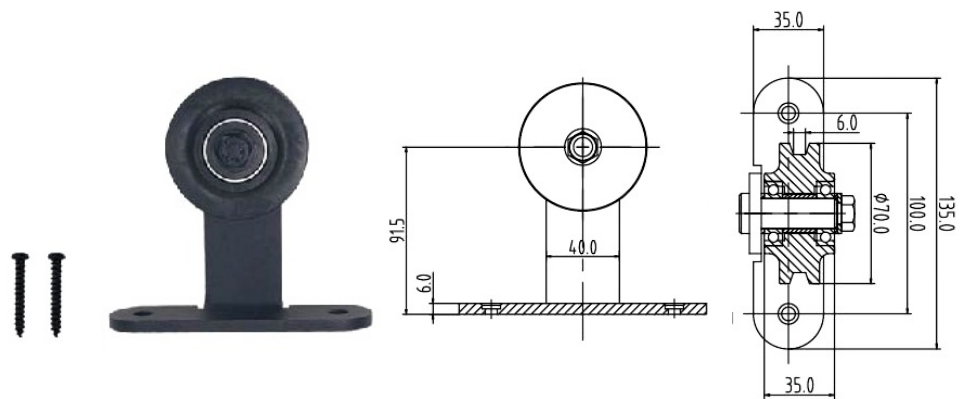
BDR01



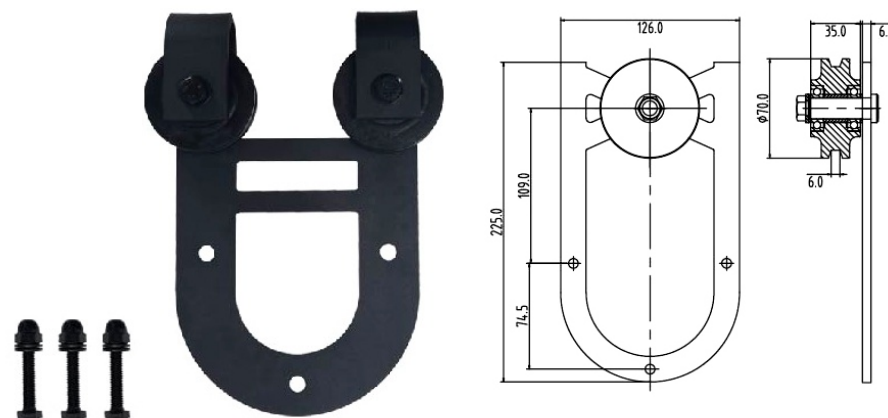
BDR02



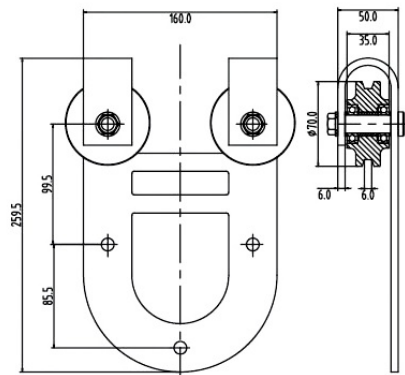
BDR03



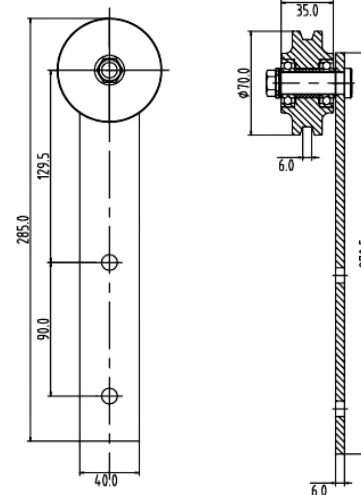
BDR04



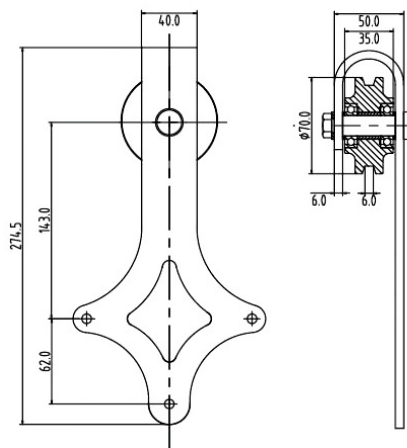
BDR05



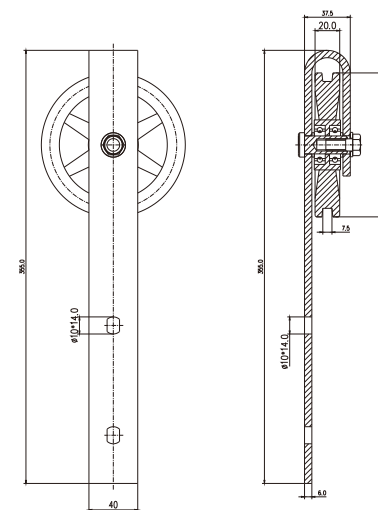
BDR06



BDR07

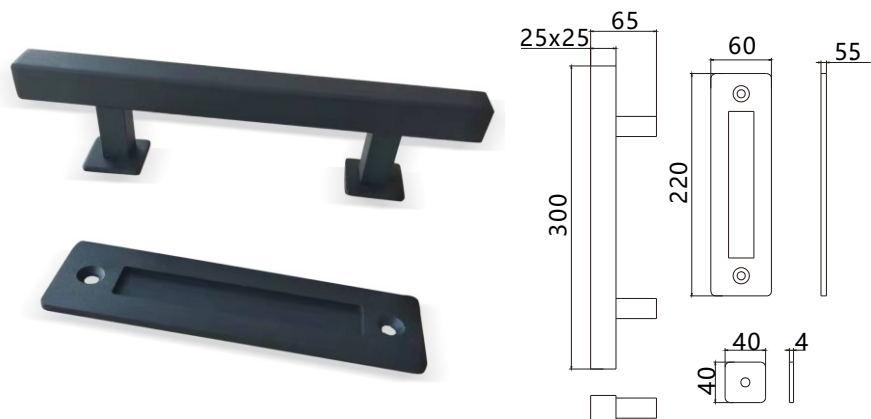


BDR08



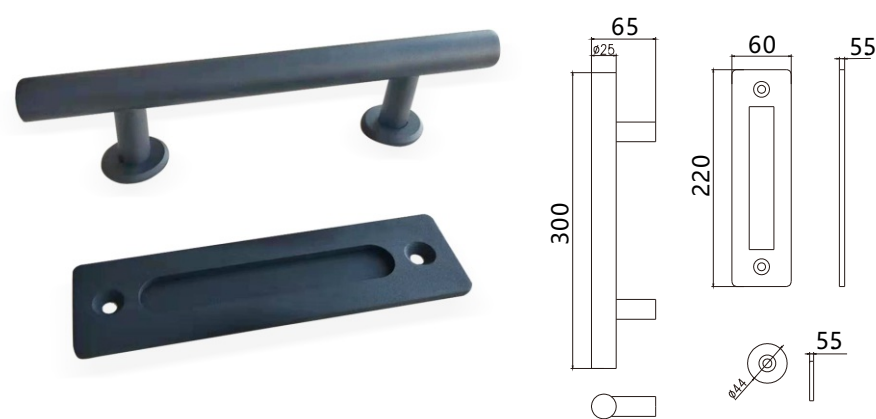
25x25方型把手

编号: BDH-BS01
重量: 1018g



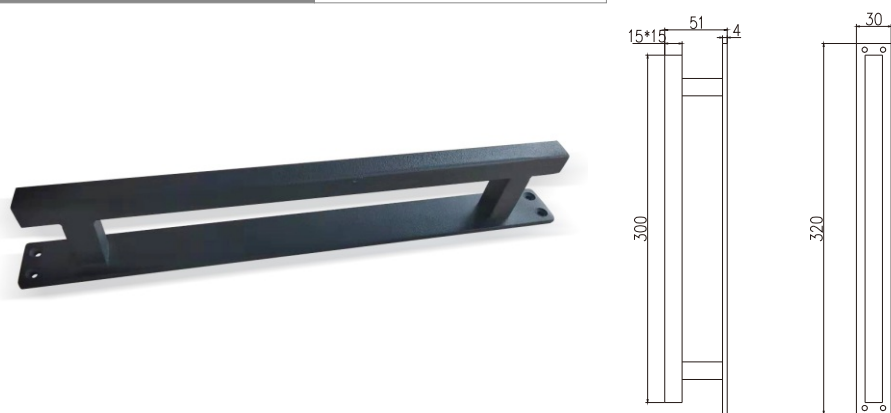
25圆型把手

编号: BDH-BS02
重量: 995g



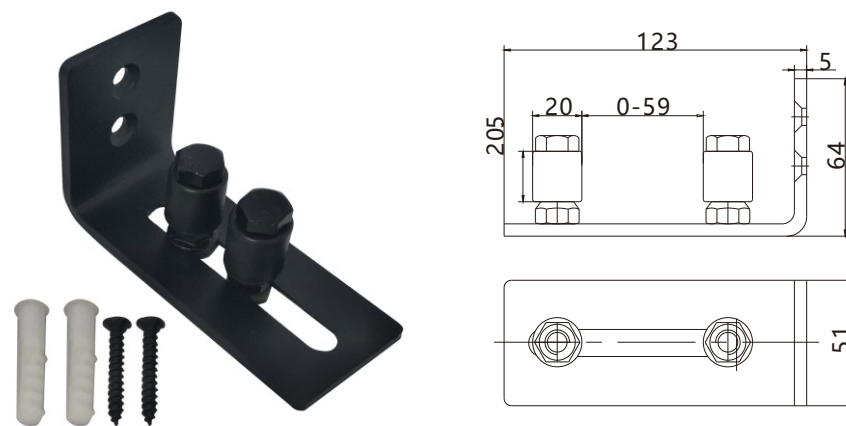
15x15方型把手

编号: BDH-BS03
重量: 577g



室内门框架

编号: BDH-TJ01A
重量: 364g





移门缓冲器 Door Damper

编号: BDD01

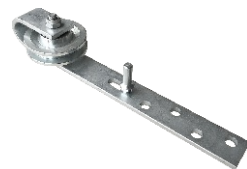
重量: 352g

It's mainly use for all kinds of wardrobe sliding door/home sliding door etc.
Makes the door closing softly and quietly





A 挂轮 (Sliding Wheel)



BDH020



BDH021



BDH022

B 轨道 (Barn Door Track)

BDT1.8MA



C 轨道支架 (Rail Bracket)

BDM05



X4

D 门档 (Gate Stopper)

BDS03



E 导向轮 (Guide Wheel)

BDG05



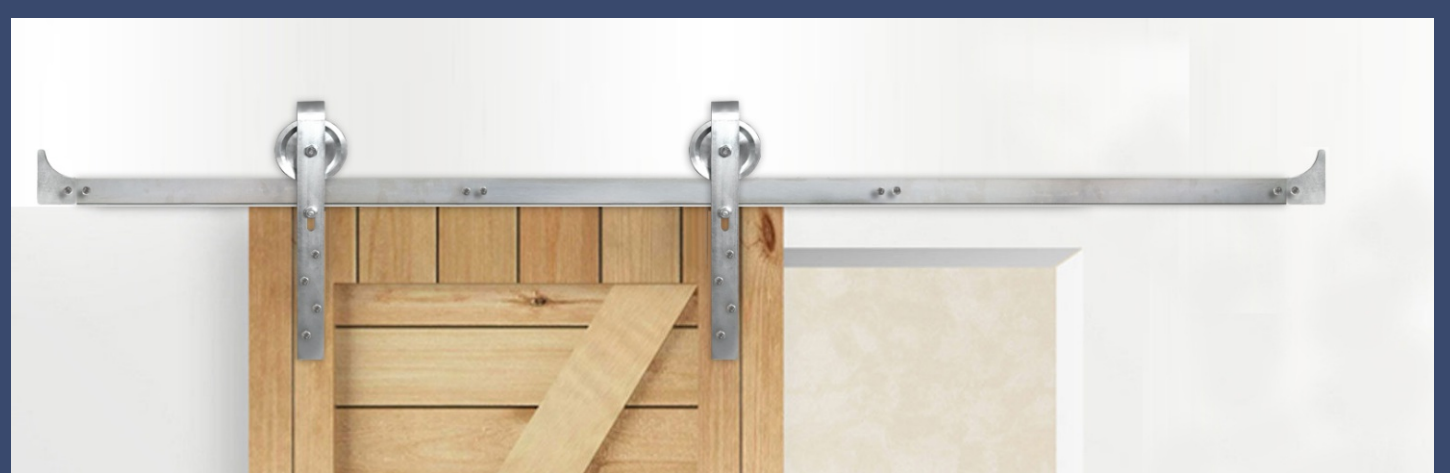
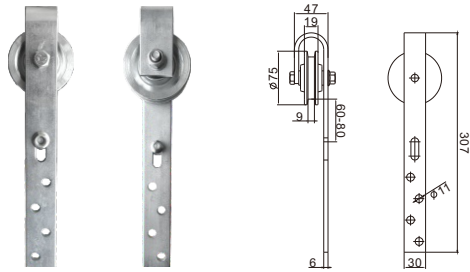
F 导向轨道 (Guide Track)

BDT1.5MB

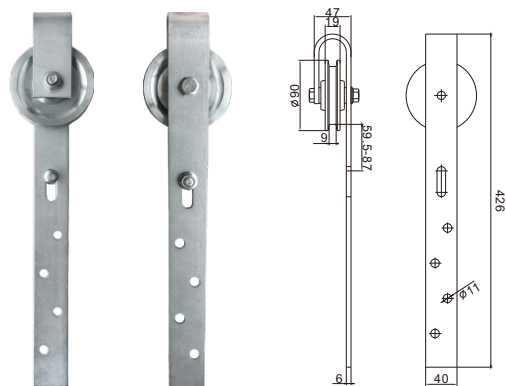


室内门系列 Barn Door Hardware

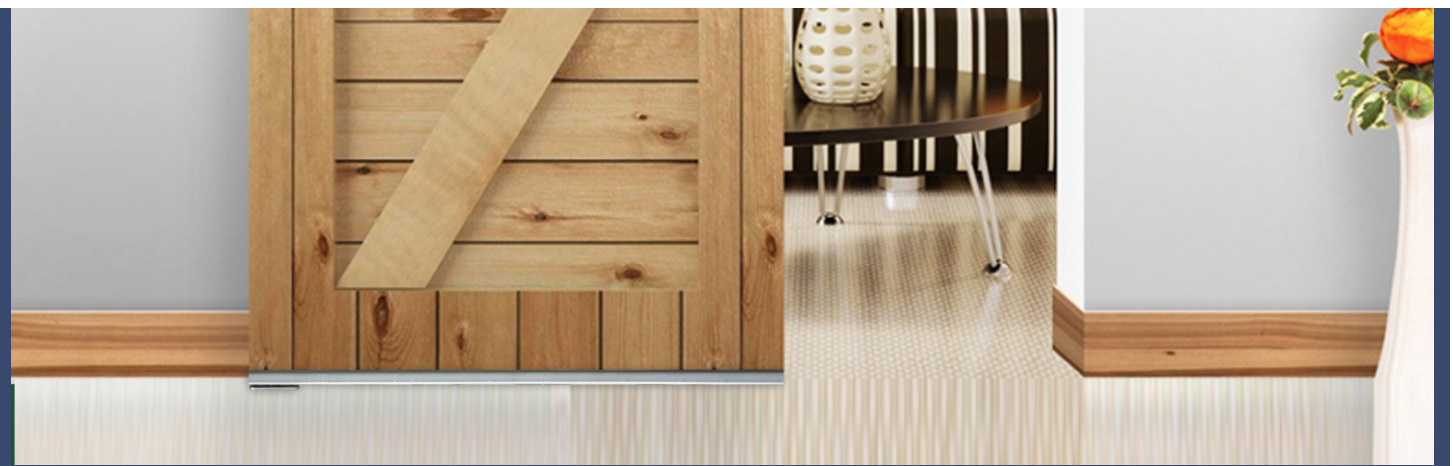
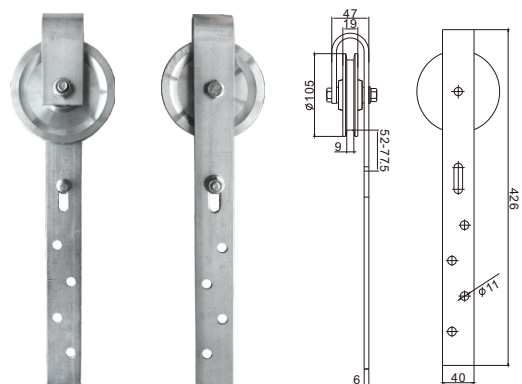
BDH020



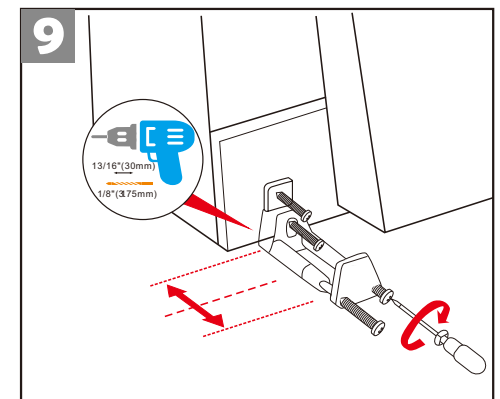
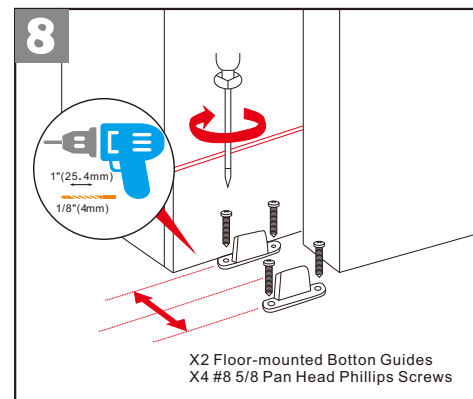
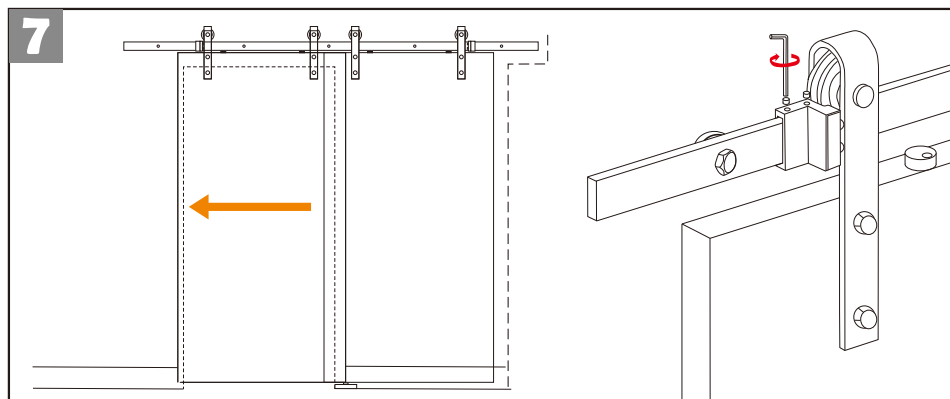
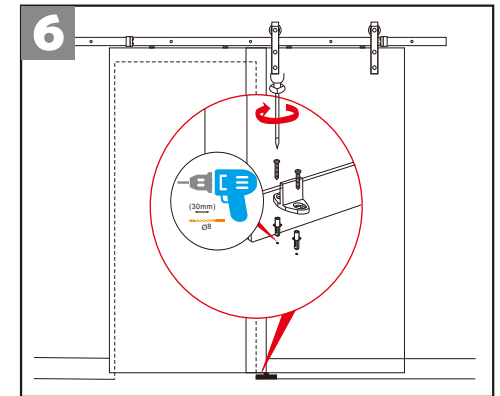
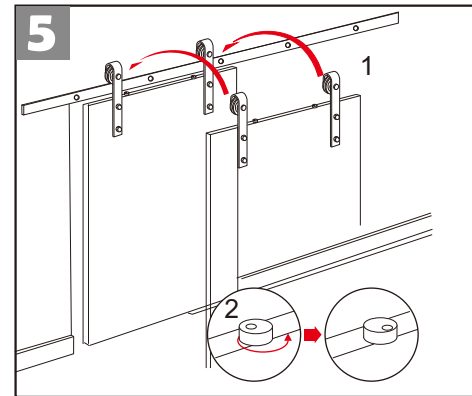
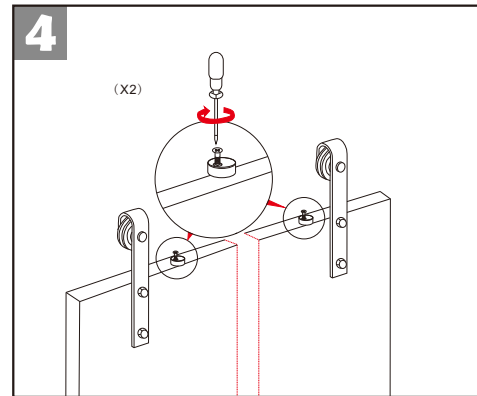
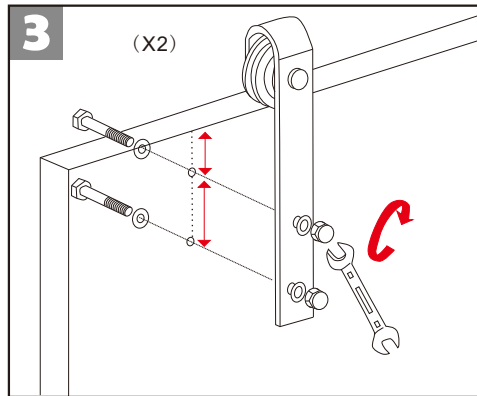
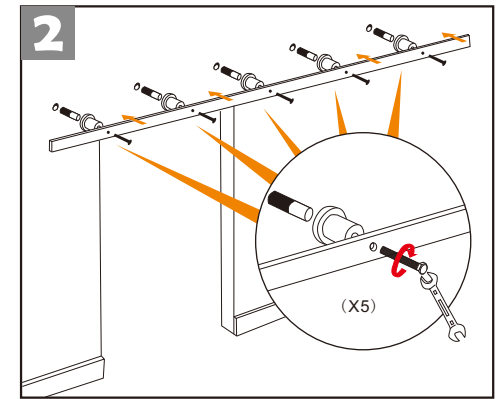
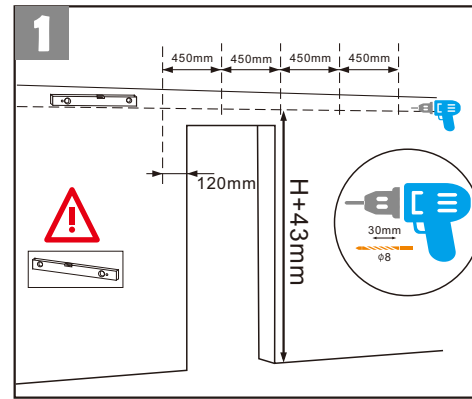
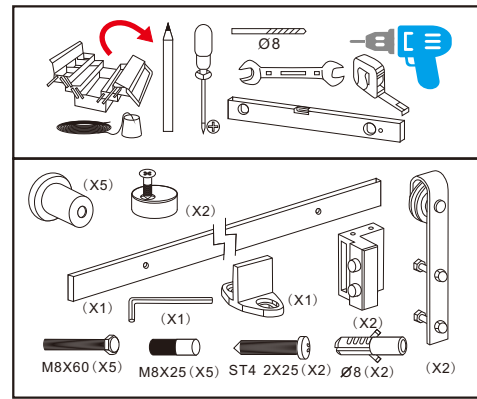
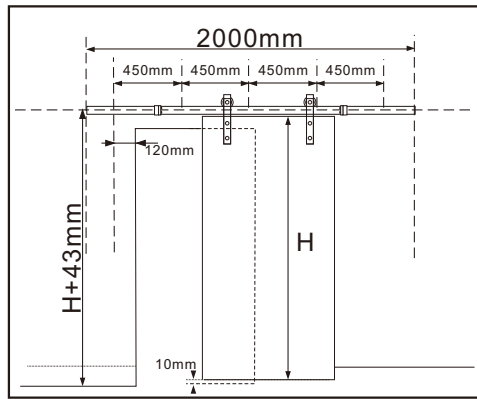
BDH021



BDH022



室内门系列 Barn Door Hardware



OEM / ODM

Distributor :



Address : 442 /2 Chan Road, Thung Watdon, Sathon Bangkok Thailand 10120

Email : info@siamenergysaving.com, www.siamenergysaving.com, www.7-mars.com