

SWP Series Corrosion Resistant FRP Pump

HIGH RESISTANCE TO CORROSIVE LIQUIDS

For aquatic parks, aquariums, zoos, and water treatment



 **Emaux**
water technology

Product Features



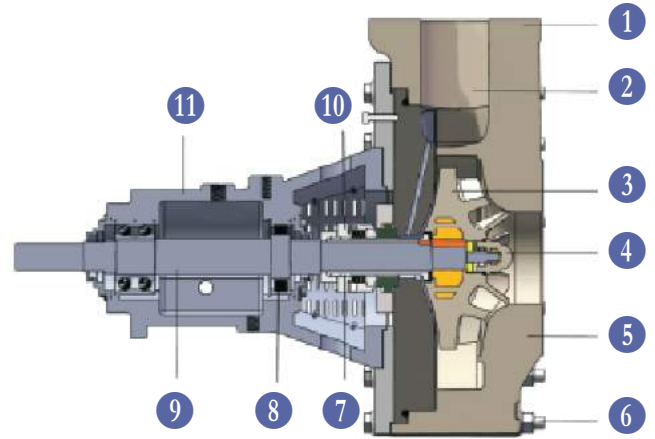
STRONG RESISTANCE TO CORROSIVE LIQUIDS

SWP Series Pump combines materials and manufacturing technology to provide strong resistance to corrosive liquids and the reliability to work under extreme environments.

The SWP pump is a Single Stage, End Suction, Horizontal Centrifugal Pump, designed to ISO 5199-2002 Standards for Chemical Process Pumps. The pumps are designed with vertical centerline discharge and back pull-out construction. All wet parts are corrosion resistant and non-metallic.

Product Features

1. Compliance with European DIN Standard
2. Smooth hydraulic passages to increase pump efficiency
3. Tapered polygon impeller provides high capacity and greater efficiency
4. Externally adjustable impeller clearance provides ease of maintenance and maximum efficiency
5. All wet parts in either Vinyl or Ester Epoxy Resin provide better chemical resistance
6. Bolts through casing ensure O-ring seal integrity under all hydraulic operating conditions
7. Integral shaft sleeve design protects the pump shaft from exposure to fluids
8. Large Swedish made SKF bearings ensure long operation life
9. Heavy-duty shaft minimizes deflection to maximize mechanical seal life
10. External type AISI-316L mechanical seal for highly corrosive fluids, static and rotating ring in SiC and Spring
11. Polyester thermosetting powder coated power frame construction prevent external corrosion
12. Coupled to ABB Motor. Optional earthing rings or insulated bearings prevent bearing erosion when installing with VFD for the electric motor speed control.
13. IPX5 Waterproof Standard



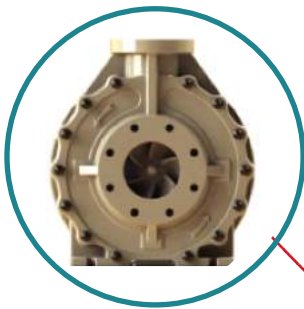
Product Information

Code	Model	Inlet x Outlet x Impeller Dia (mm)	RPM	Power	Weight (kg)
9023512	SWP550-6P	150 x 100 x 250	950	5.5hp 4.0kW	420
9023513	SWP750-6P	150 x 100 x 270	950	7.5hp 5.5kW	435
9023514	SWP1000-6P	200 x 150 x 270	950	10.0hp 7.5kW	643
9023515	SWP1500-6P	200 x 150 x 300	950	15.0hp 11.0kW	665
9023516	SWP6000-6P	300 x 250 x 405	950	60.0hp 45.0kW	1020
9023503	SWP550-4P	100 x 80 x 205	1450	5.5hp 4.0kW	285
9023504	SWP750-4P	100 x 80 x 220	1450	7.5hp 5.5kW	300
9023505	SWP1000-4P	150 x 100 x 225	1450	10.0hp 7.5kW	417
9023506	SWP1500-4P	150 x 100 x 250	1450	15.0hp 11.0kW	480
9023501	SWP2000-4P	200 x 150 x 250	1450	20.0hp 15.0kW	647
9023502	SWP2500-4P	200 x 150 x 265	1450	25.0hp 18.5kW	677
9023509	SWP3000-4P	200 x 150 x 280	1450	30.0hp 22.0kW	694
9023511	SWP4000-4P	200 x 150 x 295	1450	40.0hp 30.0kW	763
9023518	SWP5000-4P	200 x 150 x 310	1450	50.0hp 37.0kW	796
9023510	SWP6000-4P	200 x 150 x 325	1450	60.0hp 45.0kW	828
9023507	SWP1000-2P	100 x 80 x 155	2900	10.0hp 7.5kW	322
9023508	SWP1500-2P	100 x 80 x 170	2900	15.0hp 11.0kW	345
9023517	SWP2000-2P	100 x 80 x 185	2900	20.0hp 15.0kW	358
9023519	SWP2500-2P	100 x 80 x 200	2900	25.0hp 18.5kW	377
9023520	SWP3000-2P	100 x 80 x 215	2900	30.0hp 22.0kW	403

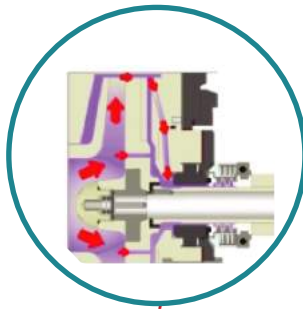
Advantages

Advantages on Design

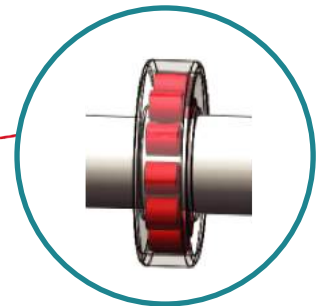
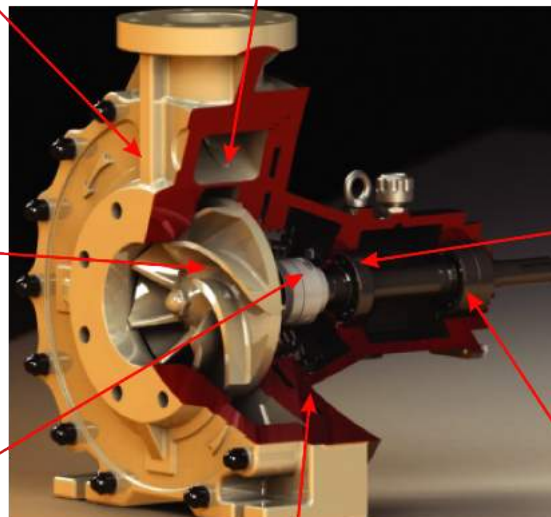
Compared with Stainless Steel, Fiberglass has better anti-corrosion effects



Mechanical Seal with Internal Cool Down and Clean Up Channel



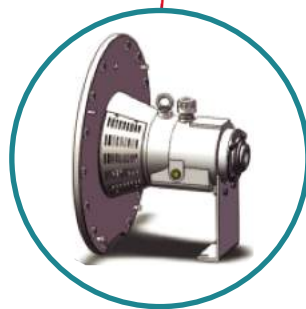
High Efficient Impeller



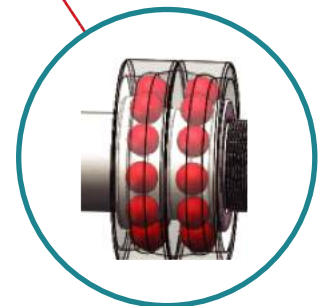
High Efficient SKF Ball Bearings provide a longer life compared with conventional bearings



External type AISI-316L mechanical seal for highly corrosive fluids, static and rotating rings in SiC, spring and Polyester thermosetting powder coated power frame construction to prevent external corrosion



316 L Stainless Steel with corrosion resistance

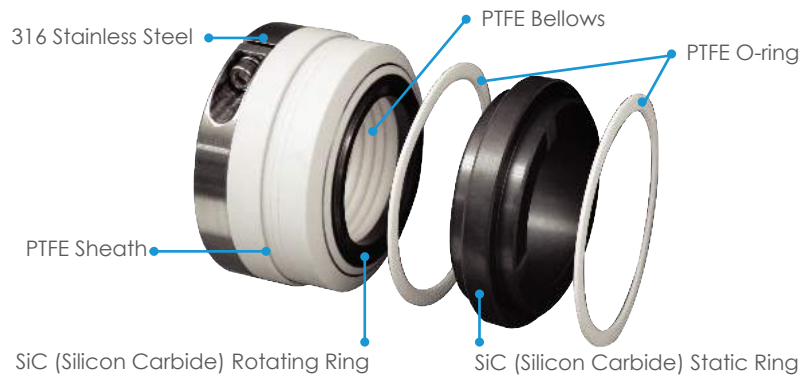
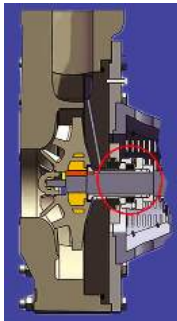


Double Row Ball Bearings enhance efficiency and provide power savings to extend product life

Mechanical Seal

When used with sea water, traditional mechanical seals can easily crystallise and solid particles can lead to rapid wear of the seal face and rotating ring.

Silicone Carbide rotating and static rings together with PTFE bellows and O-rings provide a high level of resistance to the highly corrosive environment of sea water.

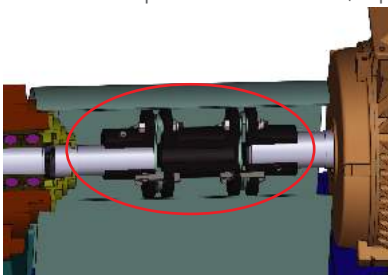


Spacer Coupling

Spacer couplings use metal diaphragms to connect the main and drive shafts and transmit the torque. Compared with geared transmission, this elastic system significantly reduces noise, vibration, and the need for lubrication. It also compensates for offset shaft misalignment, and expansion/contraction due to changes in temperature.

Advantages of Diaphragm Coupling as follow:

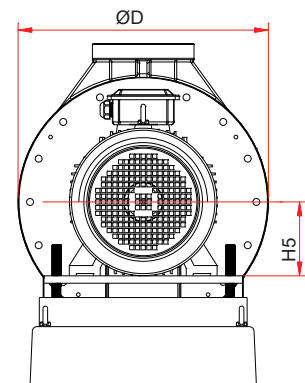
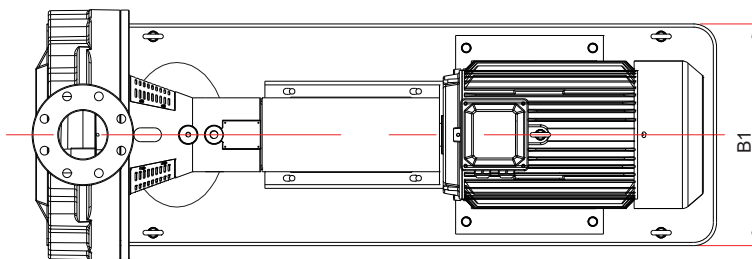
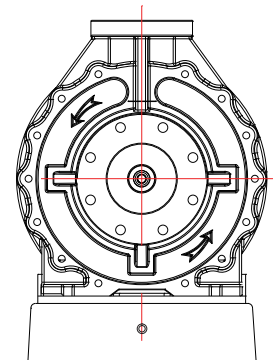
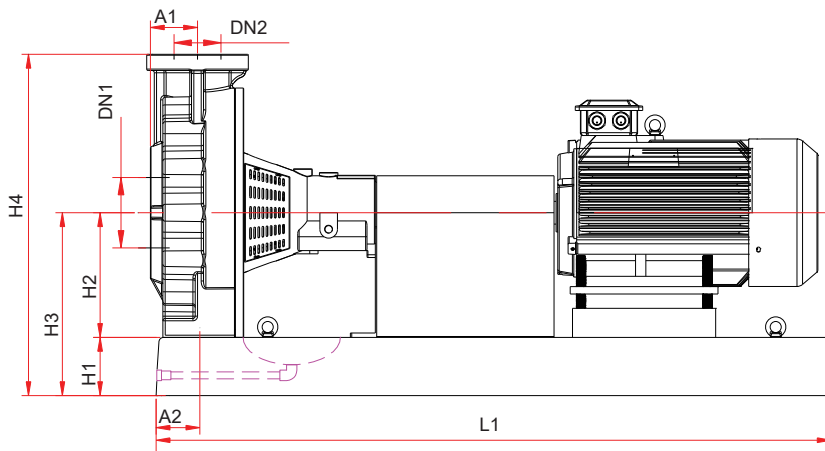
- Significant to reduce Damping Effect, Low Noise, No Wear and Tear
- High Efficiency – upto 99.86%, especially suitable for medium and high power speed transmission
- Compensate on 2 axes positional deviation with high flexibility, allows 2 axes with Axial, Radial or Angular Offset
- Accommodate in large temperature difference (-80°C~+300°C) under bad working environments, safe operation under chock and vibration conditions
- Designed with simple structure, light weight and small size
- Easy disassembly for maintenance without moving the machine itself (Intermediate shaft system with form)
- Accurate speed transmission, slip-free operation can be used for precision machinery transmission.



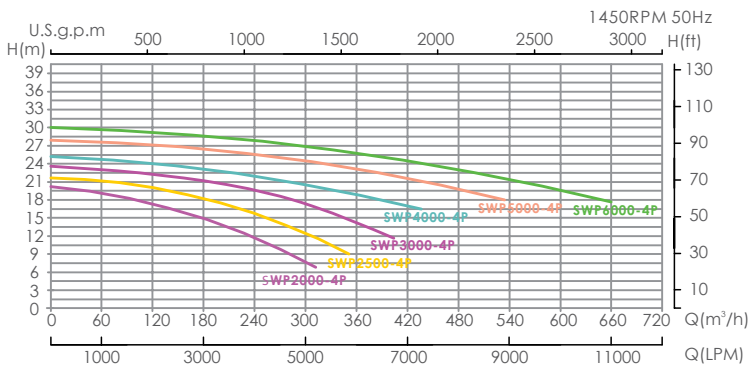
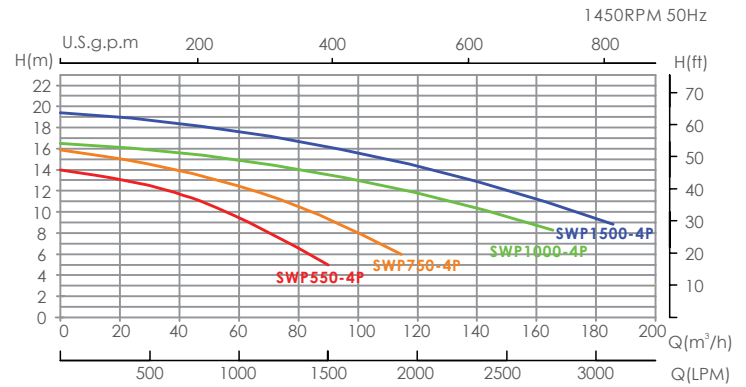
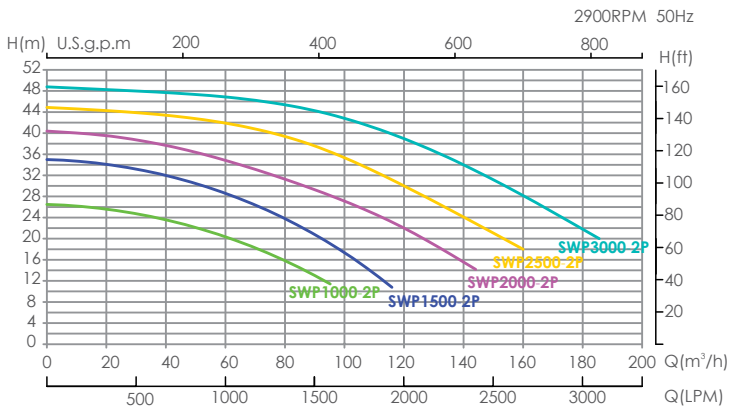
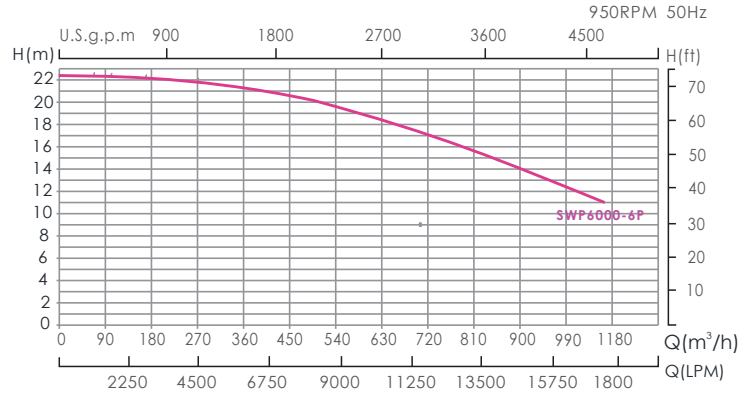
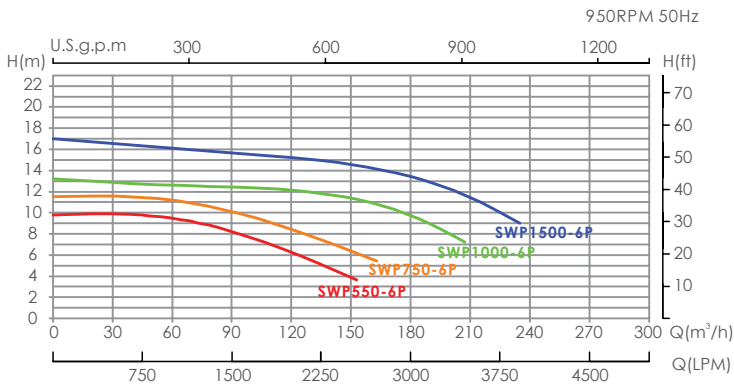
Product Information

Product Dimensions

Body (Motor - 4P)	L1	B1	H1	H2	H3	H4	H5	DN1	DN2	ØD	A1	A2
	(mm)							(inch / mm)		(mm)		
100 x 80	1200	420	100	210	310	590	112	4"/100	3"/80	458	102	78
100 x 80	1200	420	100	210	310	590	132	4"/100	3"/80	458	102	78
150 x 100	1450	480	100	254	354	697	132	6"/150	4"/100	540	102	78
150 x 100	1450	480	100	254	354	697	160	6"/150	4"/100	540	102	78
200 x 150	1530	570	100	368	468	874	160	8"/200	6"/150	700	152	93
200 x 150	1530	570	100	368	468	874	180	8"/200	6"/150	700	152	93
300 x 250	2032	600	100	457	557	1217	280	12"/300	10"/250	1003	197	203



Technical Information



EMAUX WATER TECHNOLOGY CO., LTD

ADDRESS: Flat A-D, 20/F., Kai Bo 22, 22 Wing Kin Road,
Kwai Chung, Hong Kong

PHONE +852 2832 9880

www.emauxgroup.com

 **YOUR PREMIER SUPPLIER**

Available from:

ALL SPECIFICATIONS ARE SUBJECT TO CHANGE WITHOUT NOTICE.
© 2021 EMAUX WATER TECHNOLOGY CO., LTD. ALL RIGHTS RESERVED.

www.emauxgroup.com