



Products description and application

Apply to engineering machinery (overhead crane, crawler crane, mobile crane, etc.), port crane (quay crane, gantry crane, etc.)



Features

- High-brightness LED light source has the advantages of long life, energy saving and environmental protection, and instant light up and off.
- Using a single set of independent constant current drive, and digital control technology works more stable and reliable.
- Simple and scientific assembly process, and modular structure is easy to maintain.
- Using a high-transparent material integrated lampshade, combined with optical processing technology to improve the profitability of light efficiency.
- With strong waterproof performance, novel appearance structure, corrosion resistance, strong shock resistance and UV resistance.
- A variety of installation methods and wiring methods can be selected, and the application range is wider.

General Specifications

Electrical		Mechanical	
Rated voltage	DC9V~32V	Lamp holder material	PA6+30%GF
Reverse polarity protection	Yes	Lamp cover material	PC
Power	≤6W (average), ≤12W (peak)	Operating temperature	Ta-30 °C ~ +55 °C
	IEC 61000-4-2 ±1000V	Ambient humidity	10%~95% (Non-condensing)
electromagnetic compatibility	IEC 61000-4-5 ±8000V	IP rate	IP66
		Installation method	Bolt installation, Magnetic steel installation and etc ²
Lead wire method	M20 waterproof connector ¹	weight	0.6kg
Photometric			
Warning mode	Flash/ Rotating (16 alarm models for choice)	Color	Yellow / Red (other colors can be customized)
Light source	LED	Light intensity	≥100cd

1、 **Ordering information shows details of** Lead wire method.

2、 **Mounting dimensions shows details of** Installation method.



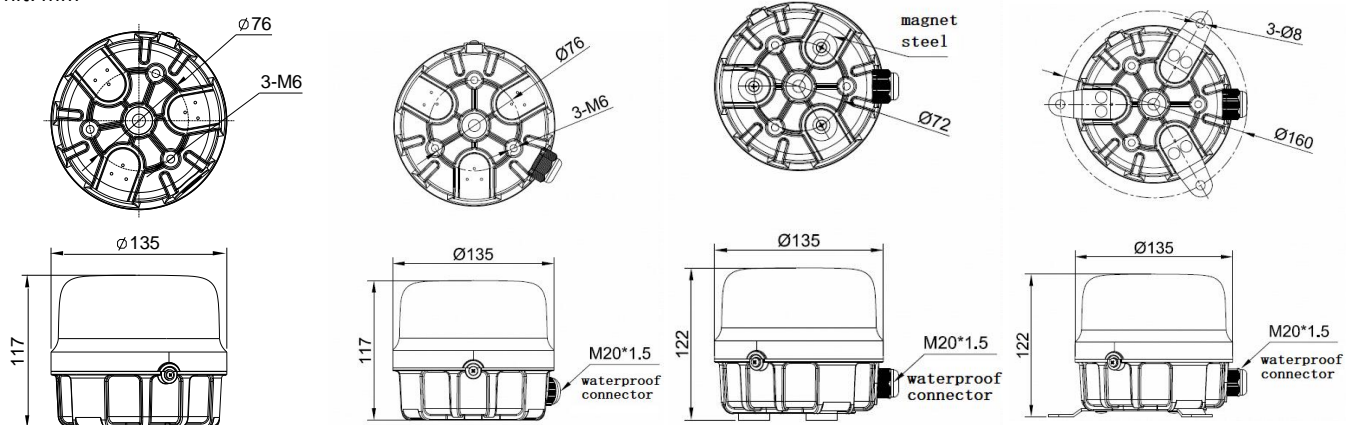
Beacon Mode

Dialing figure (1~4)	DIP value	Warning mode
	0	常亮 Steady
	1	190ms 300ms 190ms 300ms
	2	190ms 80ms 210ms 190ms 80ms 210ms
	3	70ms 50ms 70ms 50ms 70ms 180ms 70ms 50ms 70ms 50ms 70ms 180ms
	4	1000ms 1000ms
	5	666ms 666ms
	6	500ms 500ms
	7	350ms 350ms
	8	160ms 30ms 160ms 350ms
	9	100ms 30ms 100ms 30ms 100ms 340ms
	10	60ms 30ms 60ms 30ms 60ms 30ms 60ms 360ms
	11	80ms 30ms 80ms 704ms
	12	192ms 80ms 210ms
	13	100ms 100ms
	14	50ms 50ms 500ms
	15	50ms 模拟旋转 Analog rotation

- 亮 Light on
- 灭 Light off

Mounting dimensions

Unit: mm

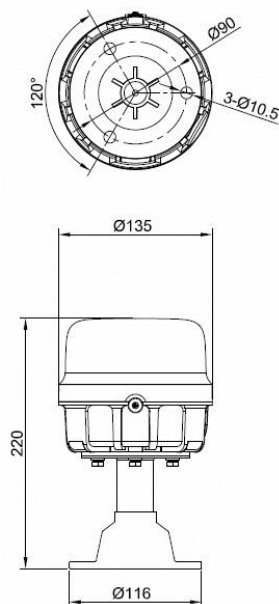


Conventional installation (outlet at the bottom)

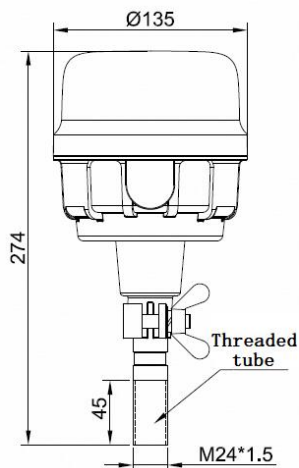
Conventional installation (side outlet)

Magnet installation

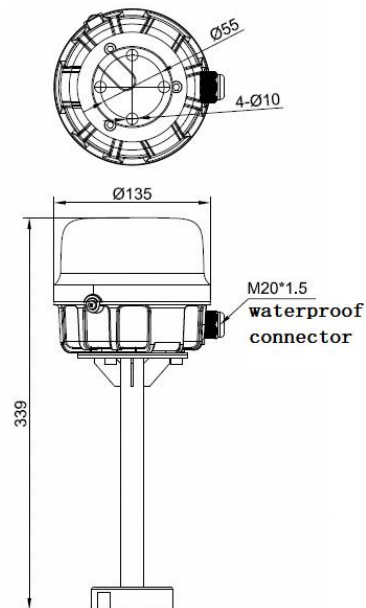
Installation angle



Flange installation



Threaded pipe installation



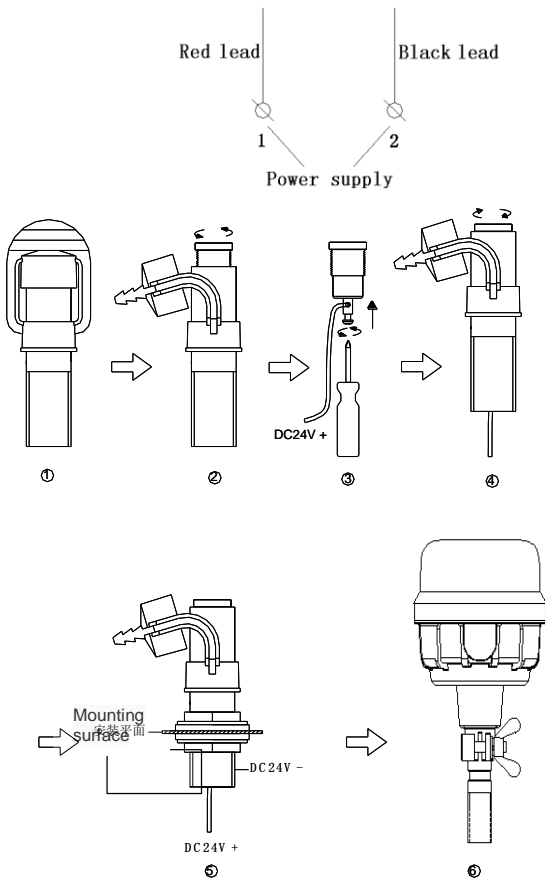
Flange bracket installation

Installation and operation:

- **Check whether the power supply matches the rated voltage of the warning lamp.**
- Common type: Fix it onto the surface with 3*M6 bolts
- Flange type/mounting plate type: Fix it onto the surface with 3* M8 bolts and nuts
- Magnetic type: Fix it onto the surface of the magnetic metal which has enough magnetic force to prevent the product from falling off because of fierce shock or strong wind.
- Threaded pipe type: Fix it on the surface with M24 thread rod and nuts.
- **All mounting surfaces should be flat and have sufficient mechanical strength.**



Wiring diagram



Lead cable type :

With 2×1mm black sheath wire. There are total two-core cable, which color is red and black, and connect to the DC+ and DC- respectively.

Wiring diagram of threaded pipe type:

1. Open the waterproof plug on the upper end of the threaded pipe, and unscrew the conductive copper column which in the threaded pipe counterclockwise (step ① ②), and insert the stripped wire into the copper column wiring hole, and then tighten the M3 screw to ensure that Press the wire tightly (step ③), and finally put the copper column back into the threaded tube, and tighten it clockwise until it is screwed down (step ④).

Note: The connected wire is DC24V+ pole, and the threaded pipe is DC24V- pole.

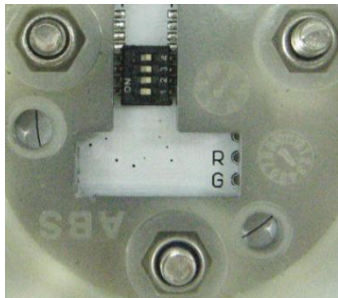
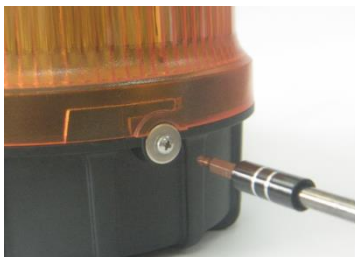
2. After connecting the wire, fix the threaded pipe on the installation surface with M24 nut and gasket (step ⑤);

3. Insert the product with the base into the threaded tube, tighten the butterfly nut on the base after inserting it to the bottom (step ⑥);

4. The product can work after power on.

Note: Only DC voltage, range 9~32V.

Method



This product can manually adjust the warning mode.

Please do it under power off condition: use a screwdriver to remove the locking screw on the side of the lamp body, then turn counterclockwise to open the lampshade, and use the screwdriver to toggle the code switch.

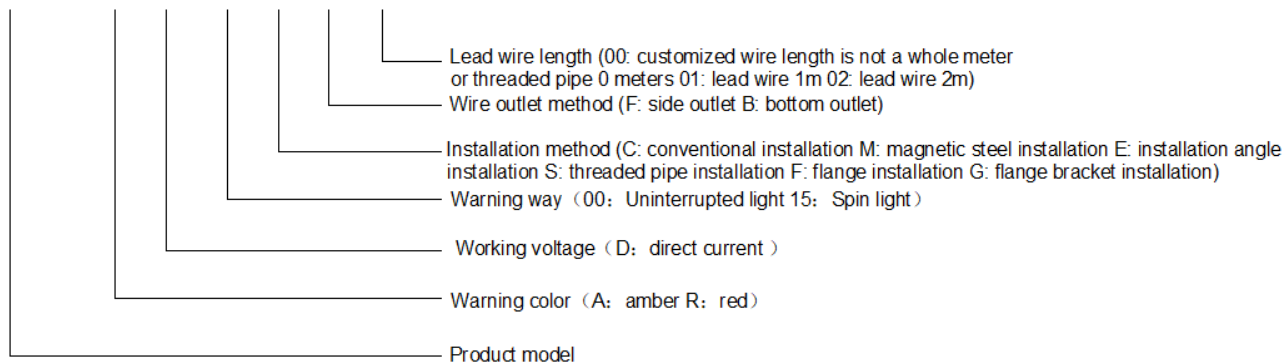
Remarks: The factory default warning mode is " Analog rotation ".

Turn the lampshade locking screw counterclockwise. After removing, turn the lamp cover counterclockwise to find the DIP switch and select the warning mode (<Warning Mode>). After completing the mode selection, please reset the lampshade clockwise according to the original reference position of the card position, and observe that the sealing ring is squeezed without abnormality, and ensure that the product is completely sealed, and then turn the card position screw clockwise.



Model definition

LR13S-A D 15 C S 02



HOW to Order

Number	model	color	Voltage	Warning method	Installation method	custom made
1000466-001	LR13S-RD15CF02	red	DC9-32V	Spin	Conventional installation (2m from the side)	
1000466-007	LR13S-AD15FB02	amber	DC9-32V	Spin	Flange installation (2m outlet from the bottom)	
1000466-011	LR13S-AD15CF02	amber	DC9-32V	Spin	Conventional installation (2m from the side)	
1000466-014	LR13S-AD15SB00	amber	DC9-32V	Spin	Threaded pipe installation (bottom outlet 0m)	
1000466-015	LR13S-AD15CB00	amber	DC9-32V	Spin	Conventional installation (0.4m outlet from the bottom)	

Thanks for choosing our products, NANHUA Electronics is the professional brand of signal transmission and high quality industrial lighting which is trusted and loved by global users from various industries. Read and understand these instructions completely and carefully. Wrong installation and operation may lead to fires, electric shock, and others. Due to our continued efforts to improve our products, product specifications are subject to change without notice.
 ©NANHUA Electronics Co., Ltd. All rights reserved. www.nanhua.com