



**MOREDAY**



[www.7-mars.com](http://www.7-mars.com)  
Email : [info@7-mars.com](mailto:info@7-mars.com)

**MORE THEN SOLAR**

Distributor Thailand :

MDYB220222

**MOREDAY**

## President's thoughts

As we look back on 2020, I am proud of how we adapted to the challenges that came our way. We took care of our employees, provided for our customers and partners, and prospered along the way.

We are optimistic about our resilience, flexibility, and solid business processes, reflecting the best in sustainability.

Sustainability is at our core at MOREDAY and our purpose remains to advance a sustainable future for all. As part of our commitment, we released our Reports on the development of the photovoltaic field in the next five years and better sustainable approaches. As we work towards an equitable energy future for all, we are aware of the importance of mobilizing the world to reduce the carbon footprint and electrify the planet.

We will continue to work hard to deliver high quality products that produce clean energy, save our customers money, and provide them with complete energy independence. Looking forward in 2021, we are excited about the strength in worldwide demand for solar, the ramp of our solar systems and upcoming new products, the higher levels of customer service, and our ongoing digital transformation efforts.

As always, I thank our employees, customers, partners, and shareholders for their continued support.

we will continue with our mission to deliver technology solutions that make clean energy affordable, reliable and accessible to all.

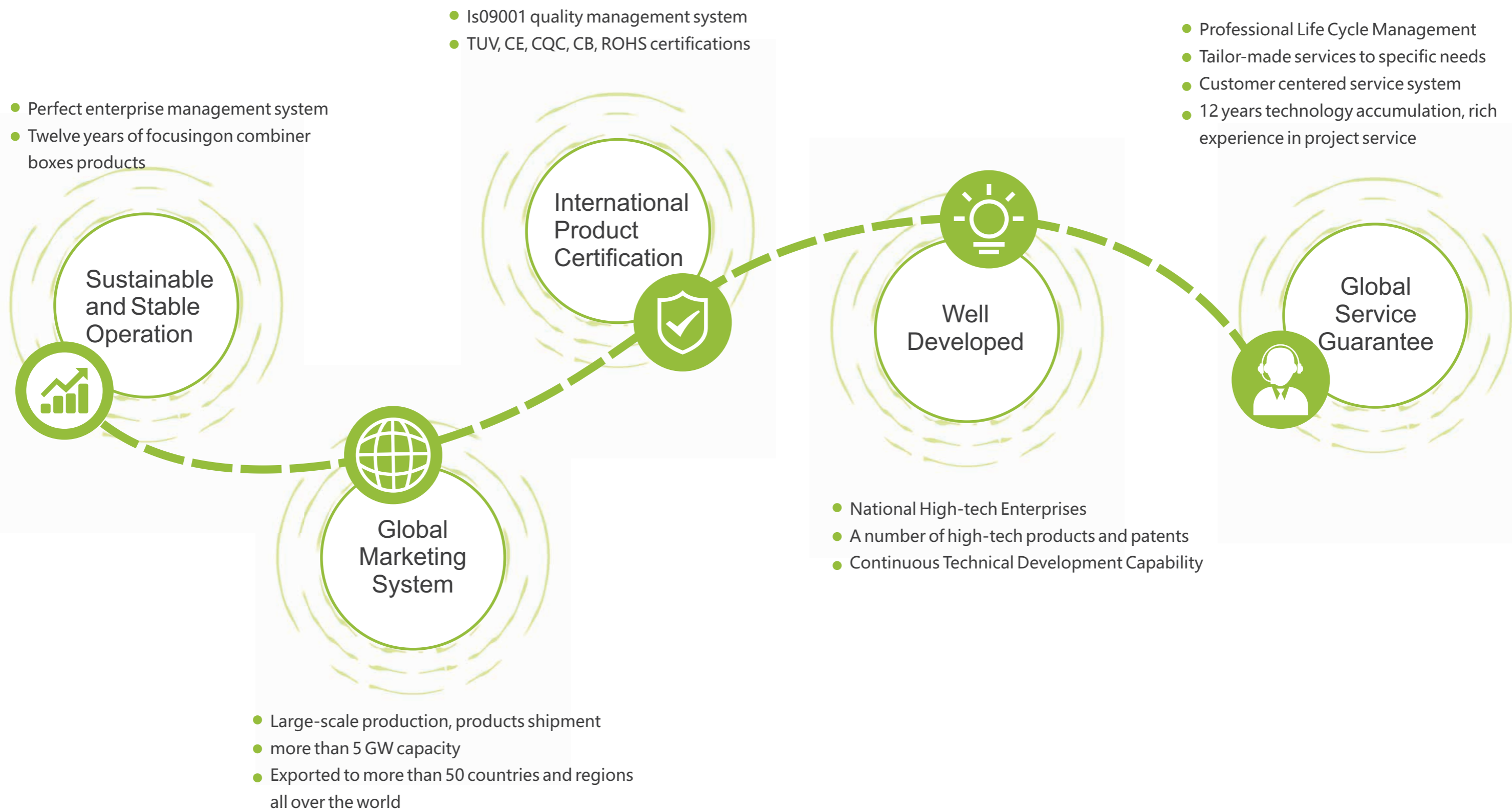
To be continued, More than solar



**Dedao Huang**  
President and CEO

Oct.20, 2021

# Corporate Advantage



## Enterprise honor and qualification



PATENT FOR INVENTION

UTILITY MODEL PATENT CERTIFICATE

DESIGN PATENT CERTIFICATE

TECHNOLOGY-BASED ENTERPRISE



ISO14001



ISO9001



ISO45001



- Member of Asian Photovoltaic Industry Association
- National high-tech enterprise
- Well-known brands in China's photovoltaic industry in 2019
- Caring for employees and caring enterprises in 2020

- 2019、2020 SNEC Megawatt jade Award
- 2020 Outstanding Photovoltaic Enterprise
- Chinese technology-based SMEs
- Zhejiang Promise-keeping 3A Enterprise



CE

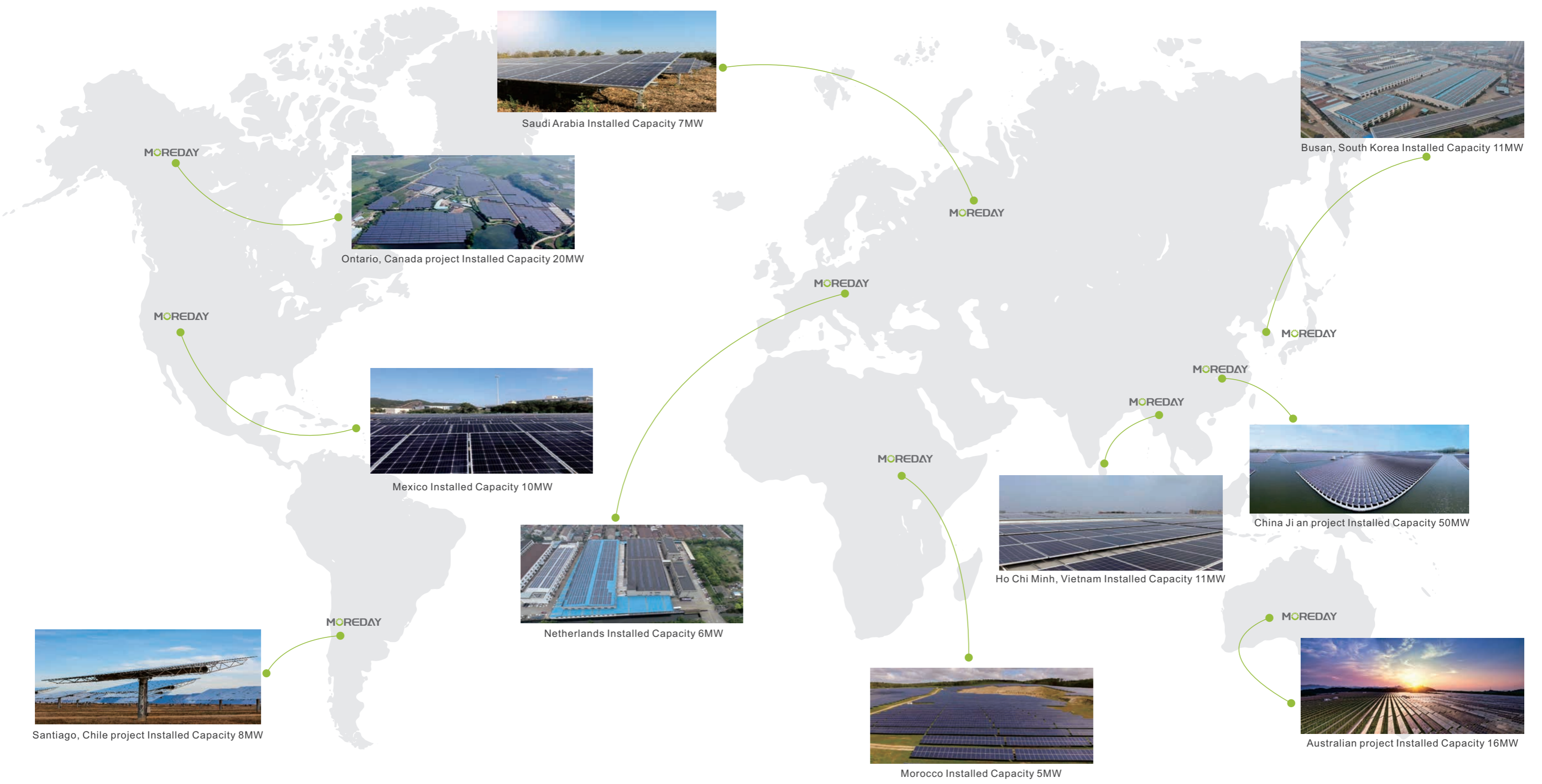


CQC

# MOREDAY

Corporate partner





**50+** Exporting Countries

**5GW+** Cumulative shipments

**30+** Patents

**12yrs** Industry experience

**1000+** Global customers

>>> www.selhot.com

# SELHOT

## THE PRODUCTION WORKSHOP

厂房车间



要想不断发展、创新、壮大企业，必须走向国际化，而先进的加工设备是企业实力的象征、完美的检测手段是品质和品质的保证。我们深知先进的设备是优秀企业必备的条件，公司自成立之初就对生产设备的革新与改造从未有过一丝松懈，同时为设备的改造与革新投入了大量的资金，这些先进的设备给优质生产带来了极大的方便和极高的效益，从而保证了产品的质量，满足了需求。

If you want to strengthen your enterprise, internationalization is necessary. The advanced equipment is the symbol of enterprise's strength and the perfect test facility is assurance of SUNHE's quality. We deeply know that advanced equipment is inevitable for an outstanding enterprise, we have always kept improving our equipments since our company was built and invested large amount of capital for them. These advanced equipments have brought us with great convenience. Thus, it assure our products' quality and fit the market's need.



# SHPN SERIES

## WATERPROOF DISTRIBUTION BOX

防水配电箱

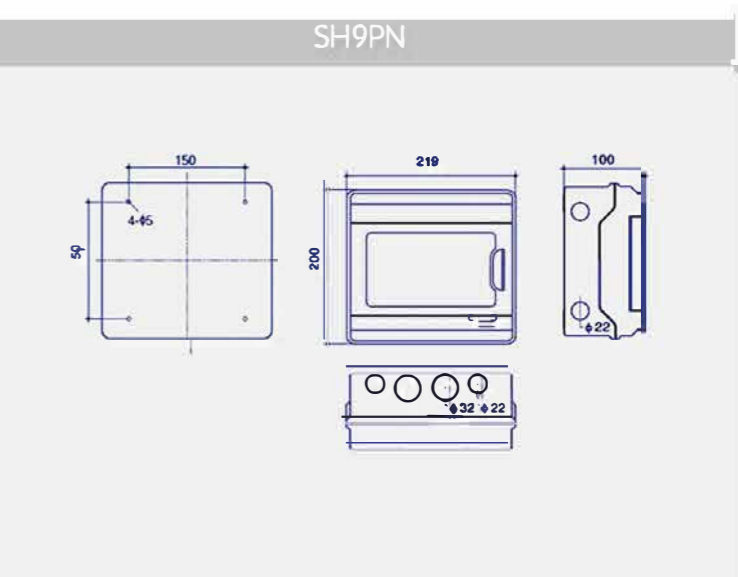
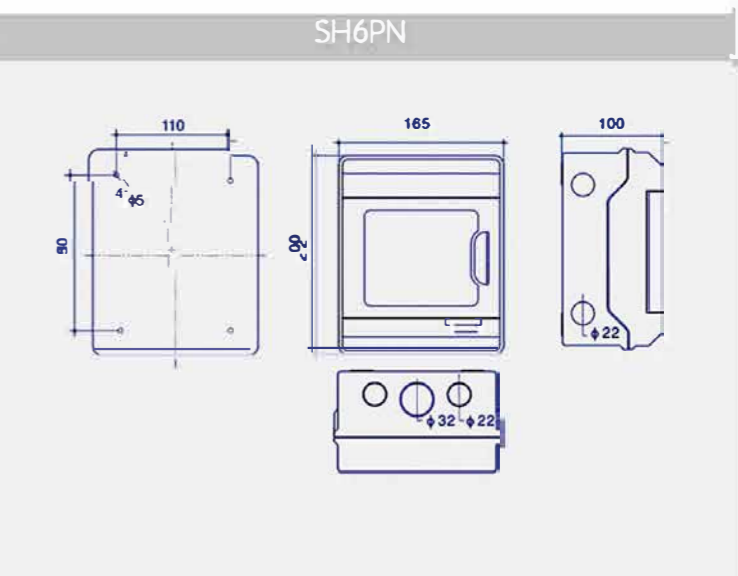
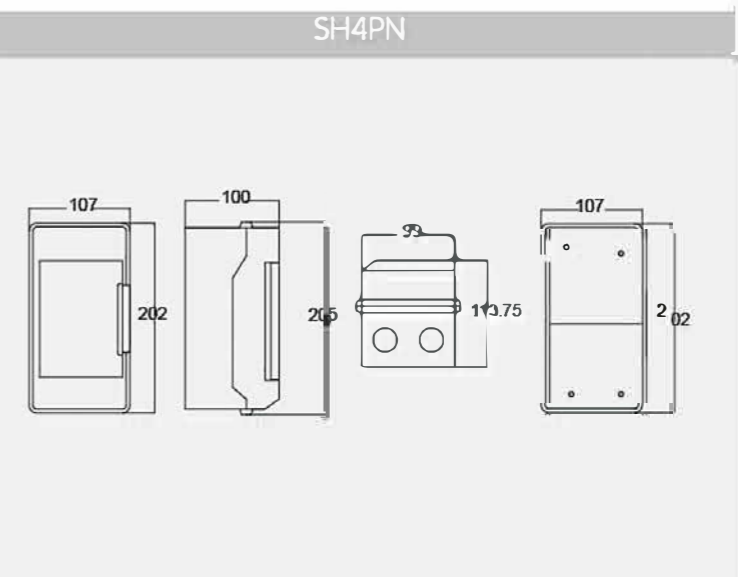


High-end distribution box. Overall panel design is luxury and attractive. The material is PC which makes it really resistant, fireproof and UV protection. Fixed frame, simple structure, and easy to install.

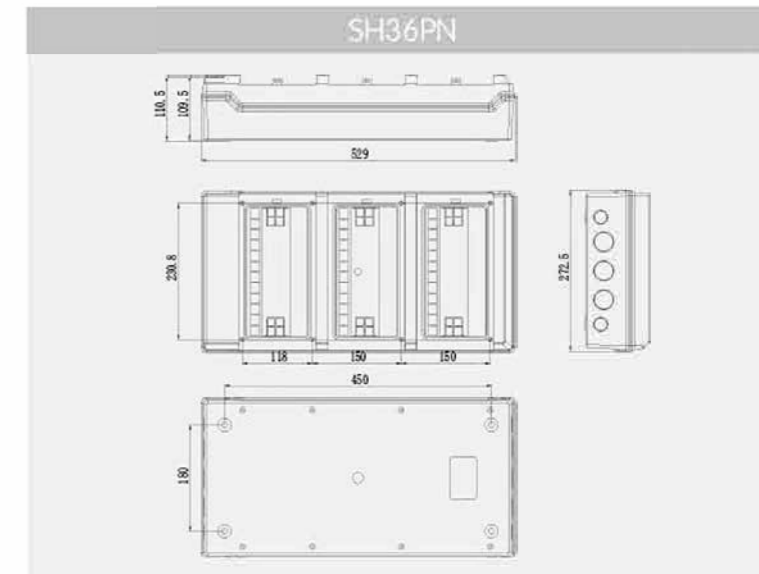
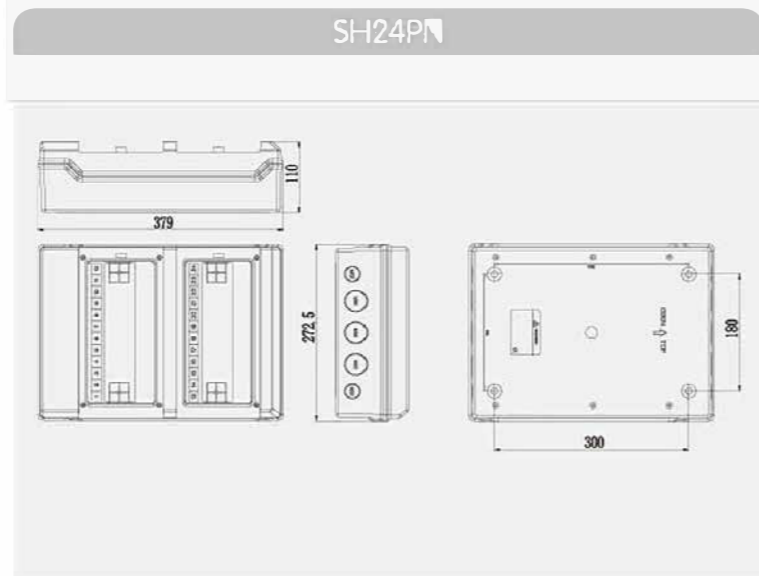
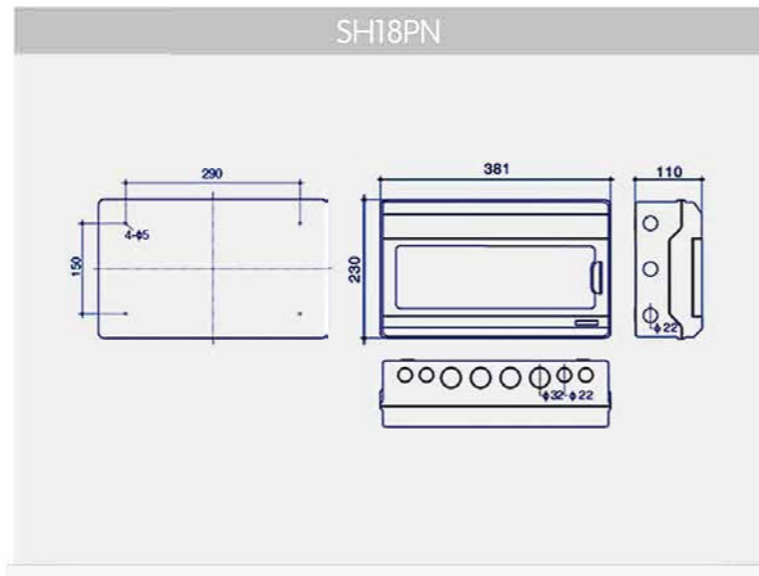
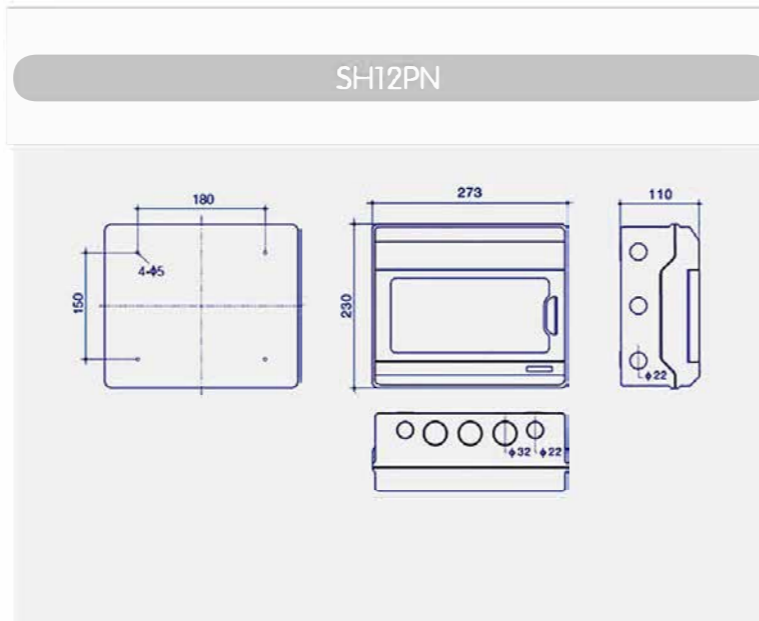
整个面板设计豪华美观。材料为PC，可以起到阻燃，抗紫外线功能。固定的机架。结构简单，便于安装。

It is applicable for special waterproof, dustproof and corrosion-proof locations  
适用于防水、防尘、防腐蚀等特殊场合

Executive standard / 符合标准  
IEC60529 EN 60309 IP65







# HT SERIES

## WATER PROOF DISTRIBUTION BOX(IP65)

防水配电箱 (IP65)

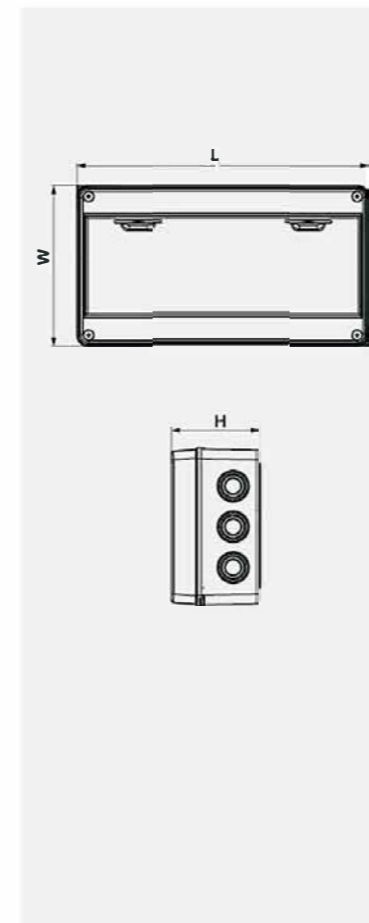


### Features/ 特点

- ※ Panel is the ABS material for the engineering, high strength, never change color, the transparent material is PC.
- ※ Cover push-type opening and closing  
Face covering of the distribution box adopts the push-type opening and closing mode, the face mask can be opened by pressing lightly, the self-locking positioning hinge structure is provided when opening.
- ※ Wiring design of the power distribution box  
The guide rail support plate can be lifted to the highest movable point, it is no longer limited by the narrow space when installing the wire. To install easily, the switch of the distribution box is set up with the wire groove and wire pipe exit-holes, which are easy to use for a variety of wire grooves and wire pipes.
- ※ 面板为工程 ABS 材料，强度高，透明材料为 PC。
- ※ 盖按压式开闭  
配电箱面盖采用按压式开闭方式，只需轻按即可开启面罩，揭开时有自锁定位的合页结构。
- ※ 配电箱装线设计  
可将导轨支撑板升到活动的最高点，安装导线时不再受狭窄空间限制，令安装容易配电箱开关设有线槽、线管出孔，易于使用各种线槽、线管。



### Product size/ 产品尺寸



Model 型号	Dimensions 尺寸		
	L 长 (mm)	W 宽 (mm)	H 高 (mm)
HT-2P	55	120	95
HT-5P	119	159	90
HT-8P	201	155	90
HT-12P	255	198	108
HT-15P	309	198	108
HT-18P	363	198	108
HT-24P	354	273	108



HT Series lighting box is in line with IEC-493-1 standard, attractive and durable, safe and reliable, which is widely used in various places such as factory, mansion, residence, shopping center and so on.

HT 系列照明箱符合 IEC-493-1 标准，美观耐用，安全可靠，广泛用于工厂、大厦、住宅、商场等各类场所。

# TH SERIES

## WATER PROOF DISTRIBUTION BOX(IP65)

防水配电箱 (IP65)



TH series distribution box is the upgraded version of HT series distribution box. TH Series lighting box is in line with IEC-493-1 standard, attractive and durable, safe and reliable, which is widely used in various places such as factory, mansion, residence, shopping center and so on.

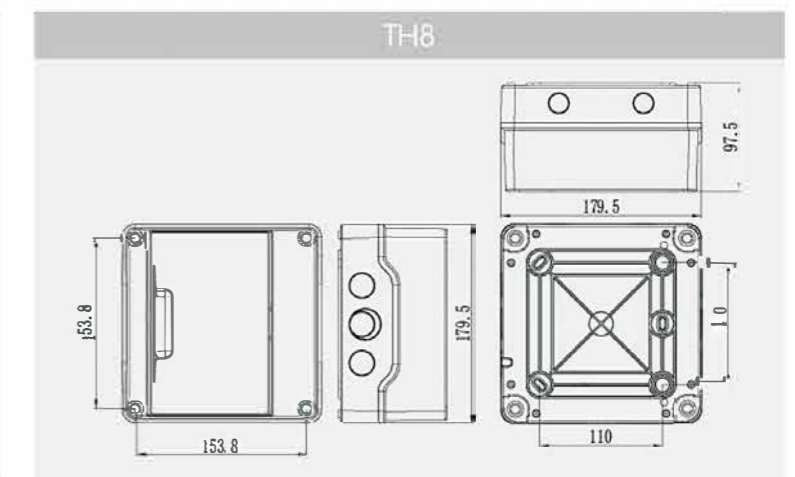
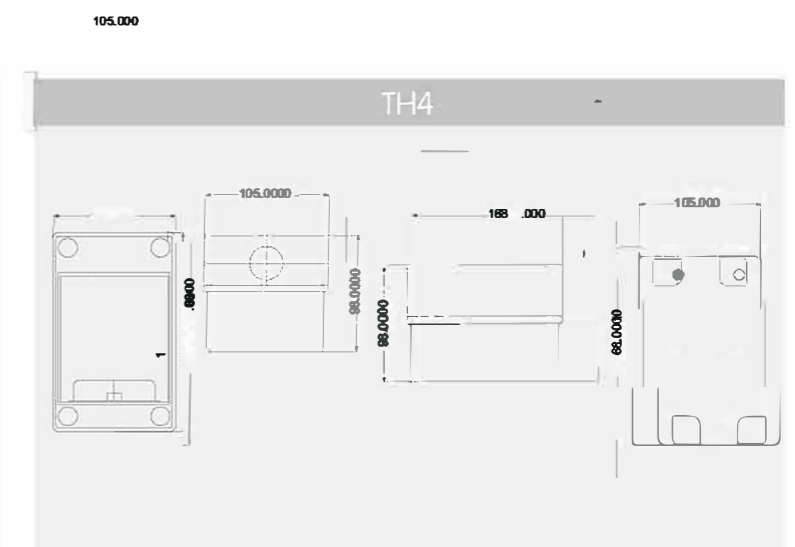
TH 系列配电箱是 HT 系列配电箱的升级版。TH 系列照明箱符合 IEC-493-1 标准，美观耐用，安全可靠，广泛用于工厂、大厦、住宅、商场等各类场所。

### Features/ 特点

- ※ Panel is the ABS material for the engineering, high strength, never change color, the transparent material is PC.
- ※ Cover push-type opening and closing  
Face covering of the distribution box adopts the push-type opening and closing mode, the face mask can be opened by pressing lightly, the self-locking positioning hinge structure is provided when opening.
- ※ Wiring design of the power distribution box  
The guide rail support plate can be lifted to the highest movable point, it is no longer limited by the narrow space when installing the wire. To install easily, the switch of the distribution box is set up with the wire groove and wire pipe exit-holes, which are easy to use for a variety of wire grooves and wire pipes.
- ※ 面板为工程 ABS 材料，强度高，透明材料为 PC。
- ※ 盖按压式开闭  
配电箱面盖采用按压式开闭方式，只需轻按即可开启面罩，揭开时有自锁定位的合页结构。
- ※ 配电箱装线设计  
可将导轨支撑板升到活动的最高点，安装导线时不再受狭窄空间限制，令安装容易配电箱开关设有线槽、线管出孔，易于使用各种线槽、线管。



### Product size/ 产品尺寸



# HA SERIES

## WATER PROOF DISTRIBUTION BOX(IP65)

防水配电箱 (IP65)



HA Series lighting box is in line with IEC-493-1 standard, attractive and durable, safe and reliable, which is widely used in various places such as factory, mansion, residence, shopping center and so on.

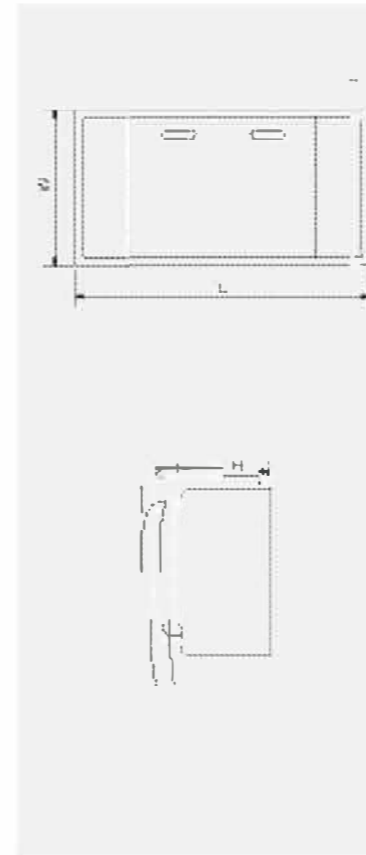
HA 系列照明箱符合 IEC-493-1 标准，美观耐用，安全可靠，广泛用于工厂、大厦、住宅、商场等各类场所。

### Features/ 特点

- ※ Panel is the ABS material for the engineering, high strength, never change color, the transparent material is PC.
- ※ Cover push-type opening and closing  
Face covering of the distribution box adopts the push-type opening and closing mode, the face mask can be opened by pressing lightly, the self-locking positioning hinge structure is provided when opening.
- ※ Wiring design of the power distribution box  
The guide rail support plate can be lifted to the highest movable point, it is no longer limited by the narrow space when installing the wire. To install easily, the switch of the distribution box is set up with the wire groove and wire pipe exit-holes, which are easy to use for a variety of wire grooves and wire pipes.
- ※ 面板为工程 ABS 材料，强度高，透明材料为 PC。
- ※ 盖按压式开闭  
配电箱面盖采用按压式开闭方式，只需轻按即可开启面罩，揭开时有自锁定位的合页结构。
- ※ 配电箱装线设计  
可将导轨支撑板升到活动的最高点，安装导线时不再受狭窄空间限制，令安装容易配电箱开关设有线槽、线管出孔，易于使用各种线槽、线管。



### Product size/ 产品尺寸



Model 型号	Dimensions 尺寸		
	L 长 (mm)	W 宽 (mm)	H 高 (mm)
HA-4P	143	210	100
HA-8P	215	210	140
HA-12P	298	260	140
HA-18P	410	285	140
HA-24P	298	420	140
HA-36P	298	570	140



# TXM SERIES

## DISTRIBUTION BOX (IRON BASE)

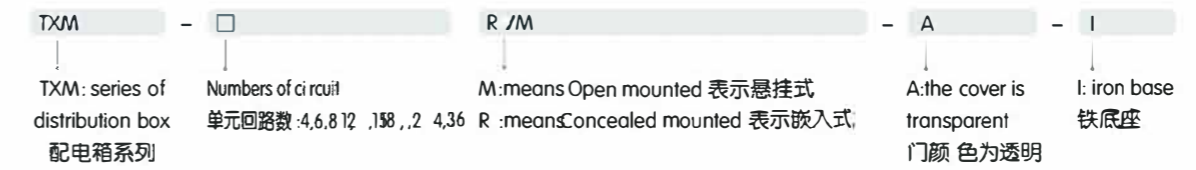
配电箱 (铁座)



Overall panel design is luxury and attractive, the face covering colors are dark green and brown (provided according to the color needs of the different interior residential designs except for the standard colors). The design of the face covering gives a noble and elegant feeling. Pure ivory, high strength, never change color, transparent material is PC. Fixed frame, simple structure, and easy installation.

整个面板设计豪华美观，面盖颜色分别为墨绿色和茶色（除标准颜色外，可按不同室内家居设计的颜色需要而提供）。面盖弧线型的设计更是给人一种高贵典雅的感觉。纯象牙色，强度高，透明材料为PC。固定的机架，结构简单，便于安装。

### Model Description / 型号说明

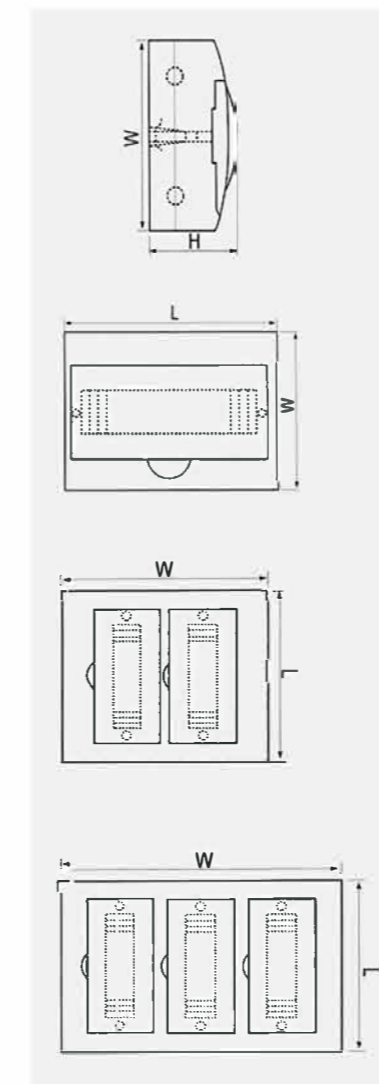


### Parameters / 参数

- ※ Rated current: 63(A)
- ※ Short-circuit making current: 10(kA)
- ※ Shell protection grade: IP40
- ※ Shell material: ABS polymeric carbon
- ※ Color: White
- ※ Face covering: Transparent
- ※ 额定电流: 63(A)
- ※ 短路合闸电流: 10(kA)
- ※ 壳体防护等级: IP40
- ※ 外壳材质: ABS 聚碳
- ※ 颜色: 白色
- ※ 面盖: 透明



### Product size / 产品尺寸



#### Surface 明装

Model 型号	Dimensions 尺寸		
	L 长 (mm)	W 宽 (mm)	H 高 (mm)
TXM-4R AI	110	199	93
TXM-6R AI	147	199	95
TXM-8R AI	184	199	97
TXM-10R AI	220	200	99
TXM-12R AI	256	199	95
TXM-15R AI	312	200	98
TXM-18R AI	361	220	98
TXM-24R AI	270	325	100
TXM-36R AI	270	459	100

#### Flush 暗装

Model 型号	Dimensions 尺寸		
	L 长 (mm)	W 宽 (mm)	H 高 (mm)
TXM-4MAI	135	221	85
TXM-6MAI	171	221	87
TXM-8MAI	206	220	86
TXM-10MAI	243	220	90
TXM-12MAI	280	222	88
TXM-15MAI	335	222	86
TXM-18MAI	400	253	98
TXM-24MAI	300	344	98
TXM-36MAI	299	481	96

# TXM SERIES

## DISTRIBUTION BOX (PLASTIC)

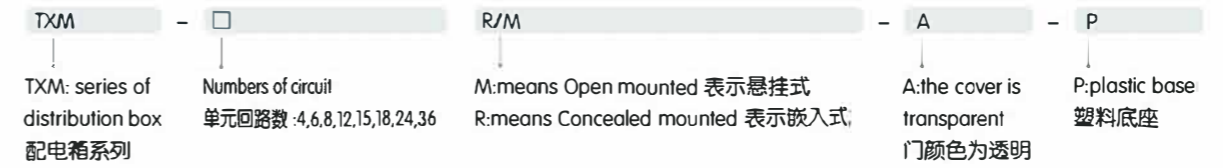
配电箱 (塑料座)



Overall panel design is luxury and attractive, the face covering colors are dark green and brown (provided according to the color needs of the different interior residential designs except for the standard colors). The design of the face covering gives a noble and elegant feeling. Pure ivory, high strength, never change color, transparent material is PC. Fixed frame, simple structure, and easy installation.

整个面板设计豪华美观，面盖颜色分别为墨绿色和茶色（除标准颜色外，可按不同室内家居设计的颜色需要而提供）。面盖弧线型的设计更是给人一种高贵典雅的感觉。纯象牙色，强度高，透明材料为pc。固定的机架，结构简单，便于安装。

### Model Description / 型号说明

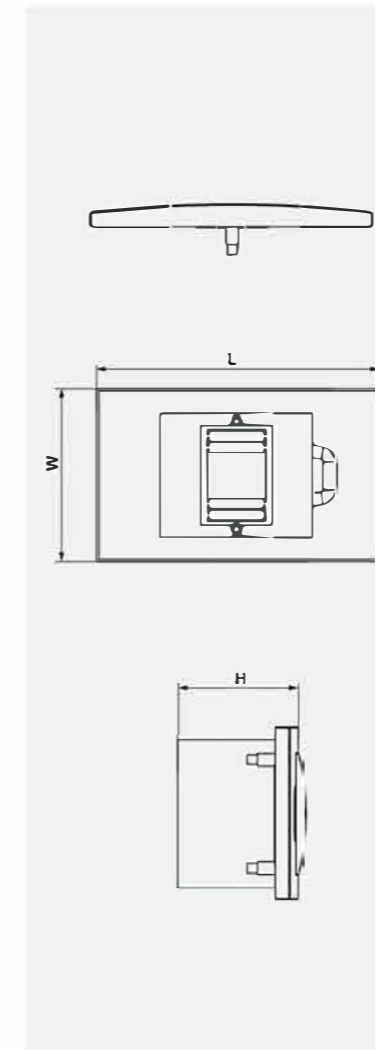


### Parameters / 参数

- ※ Rated current: 63 (A)
- ※ Short-circuit making current: 10 (KA)
- ※ Shell protection grade: IP40;
- ※ Shell material: ABS polymeric carbon
- ※ Color: White
- ※ Face covering: Transparent
- ※ 额定电流: 63(A)
- ※ 短路关合电流: 10(KA)
- ※ 壳体防护等级: IP40
- ※ 外壳材质: ABS 聚碳
- ※ 颜色: 白色
- ※ 面盖: 透明



### Product size/ 产品尺寸



#### Surface 明装

Model 型号	Dimensions 尺寸		
	L 长 (mm)	W 宽 (mm)	H 高 (mm)
TXM-2RAP	94	146	87
TXM-4RAP	110	199	93
TXM-6RAP	147	199	95
TXM-8RAP	184	199	97
TXM-10RAP	220	200	99
TXM-12RAP	256	199	95
TXM-15RAP	312	200	98
TXM-18RAP	361	220	98
TXM-24RAP	270	325	100
TXM-36RAP	270	459	100

#### Flush 暗装

Model 型号	Dimensions 尺寸		
	L 长 (mm)	W 宽 (mm)	H 高 (mm)
TXM-2MAP	94	146	87
TXM-4MAP	135	221	85
TXM-6MAP	171	221	87
TXM-8MAP	206	220	86
TXM-10MAP	243	220	90
TXM-12MAP	280	222	88
TXM-15MAP	335	222	86
TXM-18MAP	400	253	98
TXM-24MAP	300	344	98
TXM-36MAP	299	481	96

# HAG II SERIES

## DISTRIBUTION BOX

配电箱



### Parameters / 参数

※ Technique parameter  
Distribution box rated current:  
1 way to 4 way:50A  
6 way to 18 way:63A

※ Material  
Insulation:Fire-proof type refractory material  
Color:White color  
Standard:accord with IEC 060439-3

※ Protective Degree  
IEC60529:IP30  
Fire-resistant and anomaly heat ability  
IEC60529-1 standard,650C/30sec

※ Composition,structure.  
Removable matte blocks to increase the poles.  
The removable various size holes are available on the box of up and down,bottom in case of connecting wires in and out.

※ 技术参数  
配电箱额定电流:  
1回路到4回路:50A  
6回路到18回路:63A

※ 材料  
绝缘:阻燃耐热材料  
颜色:白色  
标准:符合IEC标准

※ 保护等级  
IEC60529:IP30  
阻燃且耐高温  
标准:IEC60529-2-1

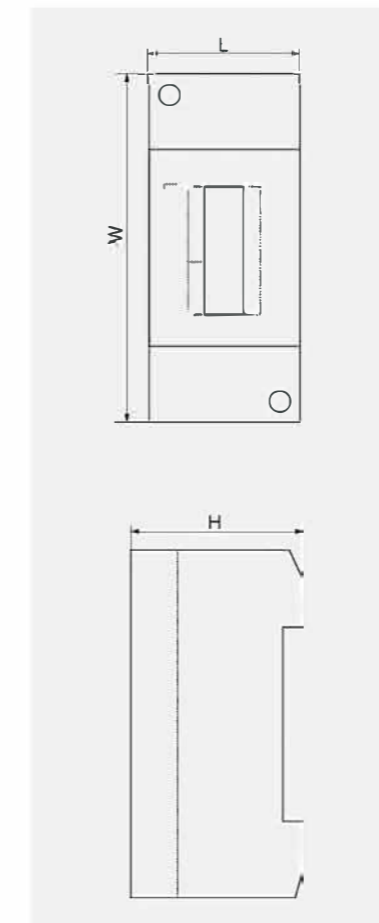
※ 结构  
可移动式模块,可增加回路数。  
在箱体的上下及侧面有可移动的,各种尺寸的安装孔,以便于线路进出。



HAG II series of surface box is kind of good-looking outline small volume.easy to install economically modular distribution box. It mainly use for building electric distribution system's installation,matched and house rebuild fitment etc application The Max rated current is 63A.

海格明装系列是一种外观优美, 体积轻巧, 便于安装的经济型配电箱。主要用于建筑配电系统的安装, 房屋建造的设备安装等。最大额定电流为 63A。

### Product size/ 产品尺寸



Model 型号	Dimensions 尺寸		
	L 长 (mm)	W 宽 (mm)	H 高 (mm)
HAG II -1P	34	130	60
HAG II -2P	52	130	60
HAG II -4P	87	130	60
HAG II -6P	125	160	60
HAG II -8P	160	160	60
HAG II -12P	258	160	60
HAG II -18P	365	160	60



# 56CB4N SERIES

4 POLE IP66  
ENCLOSURE



It offers maximum 4 pole space to accommodate MCB, RCD or MCB/RCD combination. its cover assemblies suits all 66series mounting back box. Deep cover of 56CB4N provides ample wiring room above and below the din rail.

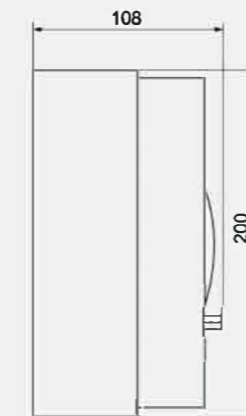
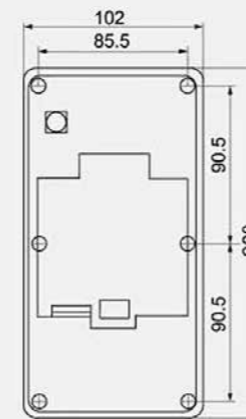
## Technical Parameter

- ※ Ratea Voltage:250/440V AC
- ※ Roteo Frequency:50/60Hz
- ※ IP Protection:IP66

## Approvals

CE

## Specification



Col No.	Description	Module Type	IP Rating
56CB4N	available for 1 to 4 pole, with neon lamp	MCB+RCD's	IP66





# KOREAN SERIES

## HIGH-END PLASTIC WATERPROOF JUNCTION BOX

高端塑料防水盒



Passed the testing and certification of CE, RoHS and the protection grade reaches IP67, which is very safe; it won't be fed with water when it is working even if in a heavy rain.

通过 CE、RoHS 检测认证，防护等级达 IP67，即使在作业的时候下起大雨也是不会进水的，非常安全。

### Scope of Application/ 适用范围

The waterproof junction box is mainly applicable for interior and outdoor electric, communication, firefighting equipment, iron and steel smelting, petrochemical industry, electronic, electric, railway, construction site, mines, mining areas, airports, hotels, shipping, large factories, coastal factories, discharging quay equipment, treatment facilities of sewage and waste water, as well as environmental hazard facilities etc.

防水接线盒主要适用于室内、室外电气、通信、消防设备、钢铁冶炼、石油化工、电子、电力、铁路、建筑工地、矿山、采矿场、机场、宾馆、船舶、大型工厂、沿海工厂、卸货码头设备、污水处理设施、环境公害设施等。



### Product size/ 产品尺寸

External Size 外形尺寸 (mm) L x W x H	Pcs/Box 只 / 箱	Carton Size(cm) 纸箱尺寸 (cm)
95 x 65 x 55	160	41 x 34 x 45.5
110 x 80 x 70	90	41 x 34 x 45.5
110 x 80 x 85	75	41 x 34 x 45.5
130 x 80 x 70	140	52 x 42 x 52
130 x 80 x 85	120	52 x 42 x 52
100 x 100 x 75	140	52 x 42 x 52
100 x 100 x 100	112	73 x 41 x 39.5
180 x 80 x 70	100	73 x 41 x 39.5
250 x 80 x 70	70	52 x 42 x 52
250 x 80 x 85	60	52 x 42 x 52
125 x 125 x 75	60	51 x 38.5 x 47.5
125 x 125 x 100	72	51 x 38.5 x 47.5
175 x 125 x 75	60	73 x 41 x 39.5
175 x 125 x 100	48	73 x 41 x 39.5
170 x 140 x 95	45	52 x 42 x 52
175 x 175 x 100	36	52 x 42 x 52
200 x 150 x 100	40	62 x 41 x 51.5
200 x 200 x 100	30	62 x 41 x 51.5
250 x 150 x 100	32	62 x 41 x 51.5
280 x 190 x 130	16	57 x 39 x 55.5

### Material of the Product/ 产品材质

◎ Silicon Rubber Seal 硅胶密封圈

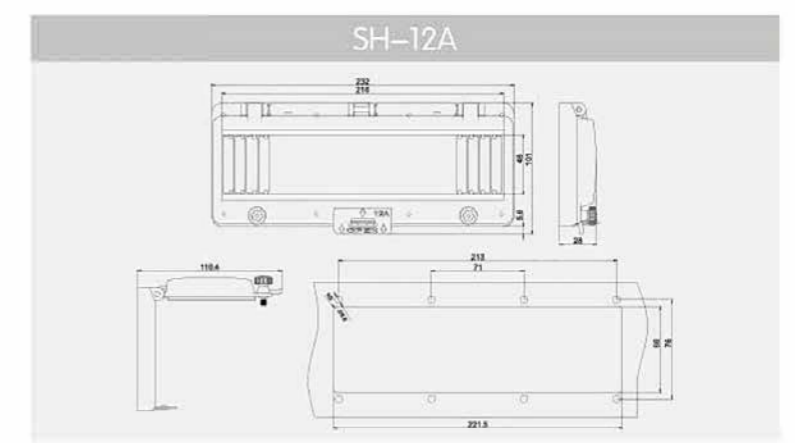
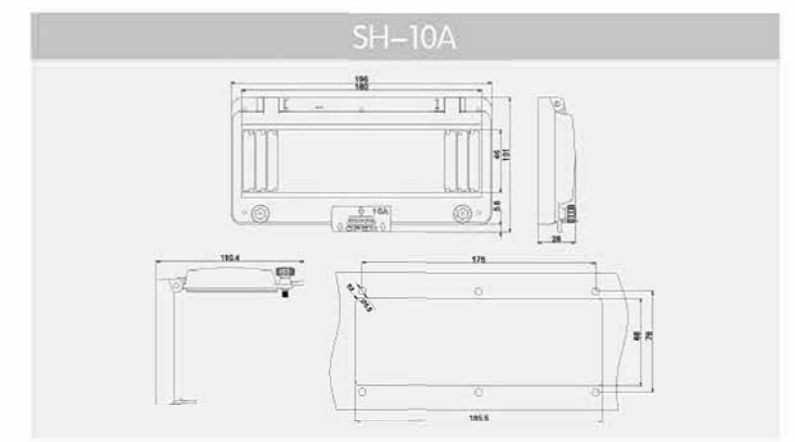
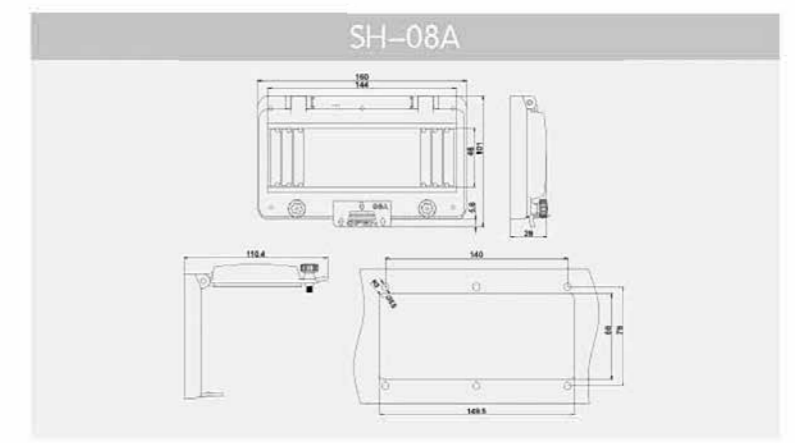
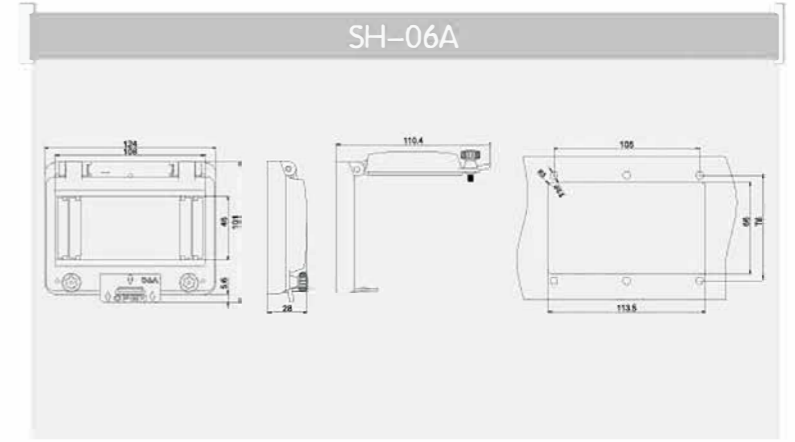
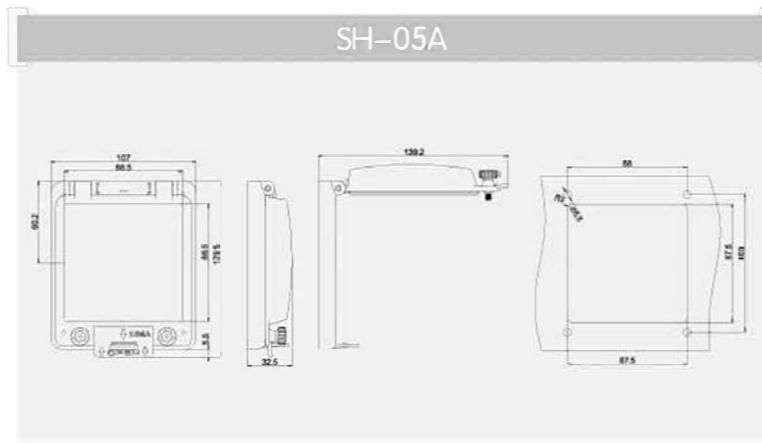
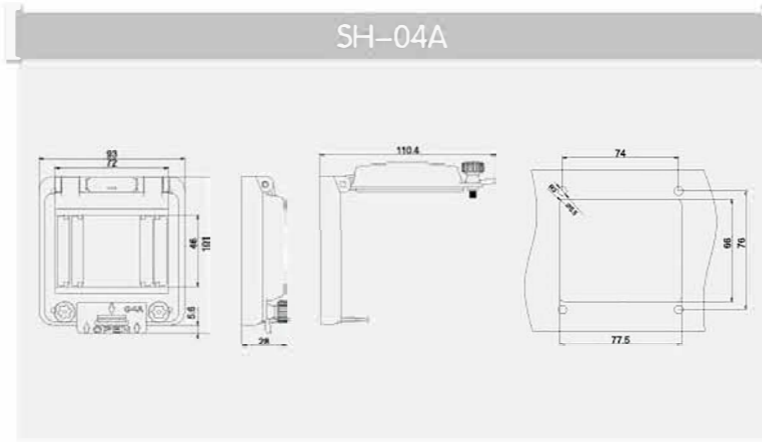
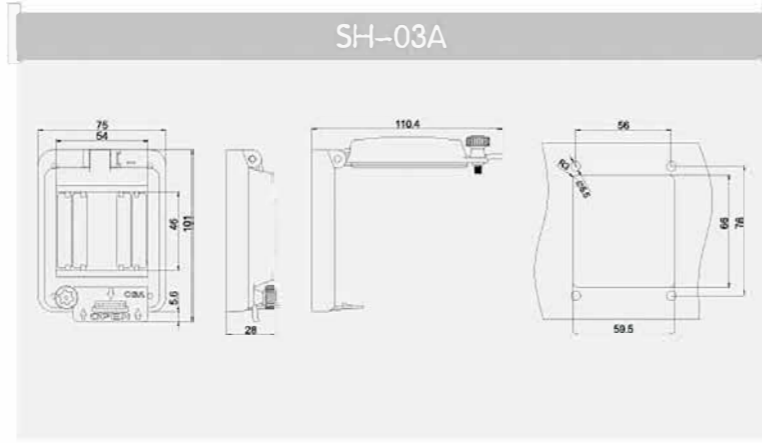
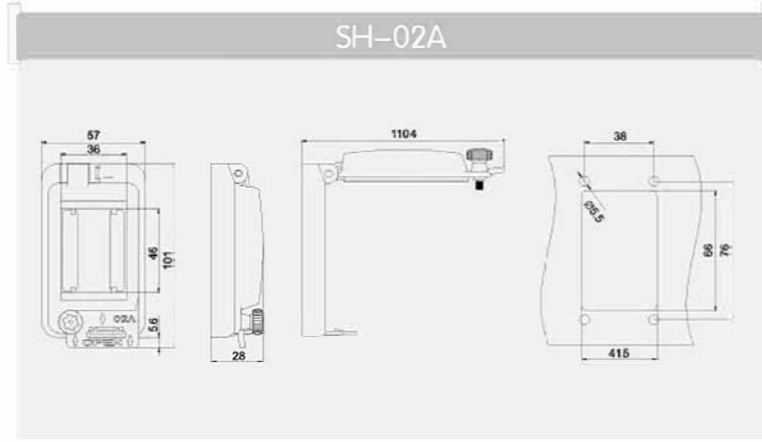
1. Possess excellent sealing performance, waterproof and no leakage;
2. Completely non-toxic and odorless;
3. May be heated under high temperature, non-deformation and not producing hazardous substances;
4. Sound mechanical properties and passed the specialized test;
5. Anti-yellow and fastness under long-term application;
6. corona resistance, arc resistance, high and low temperature resistance, sound aging-resistant performance and high temperature resistance.

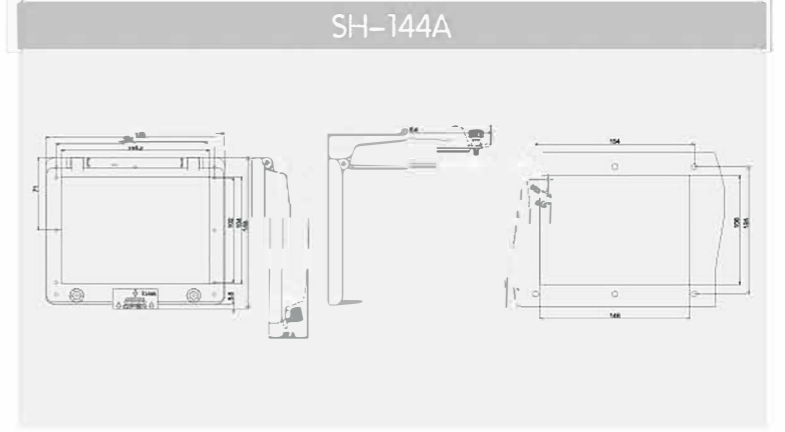
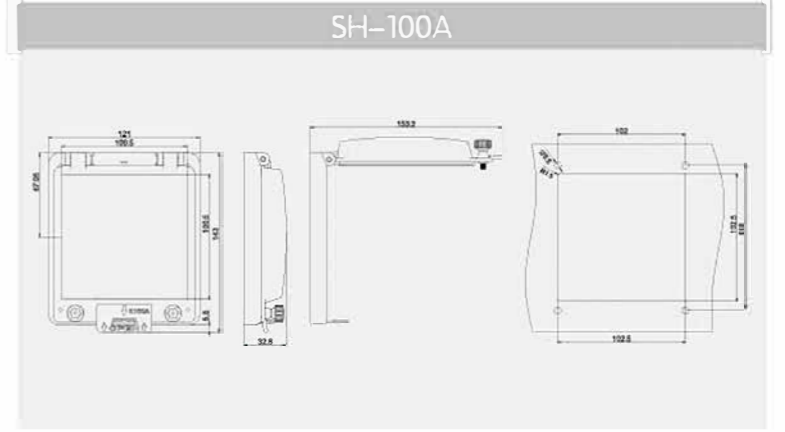
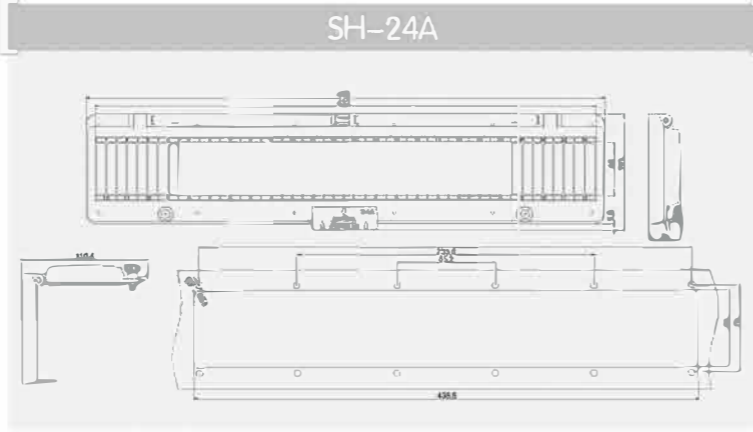
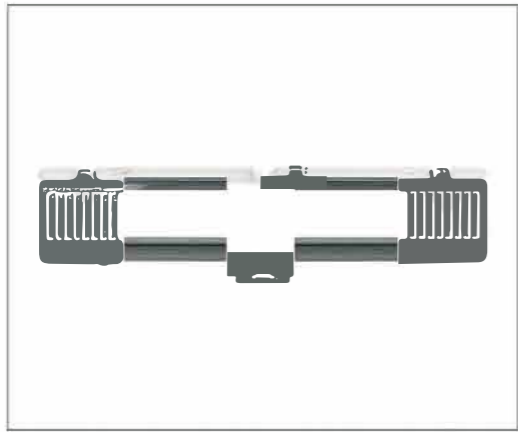
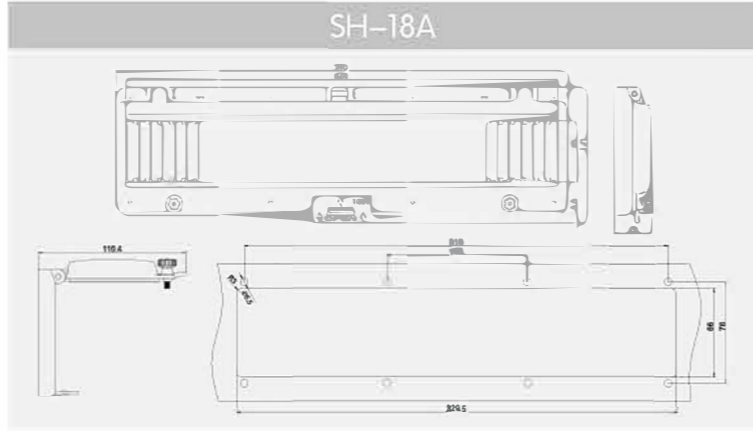
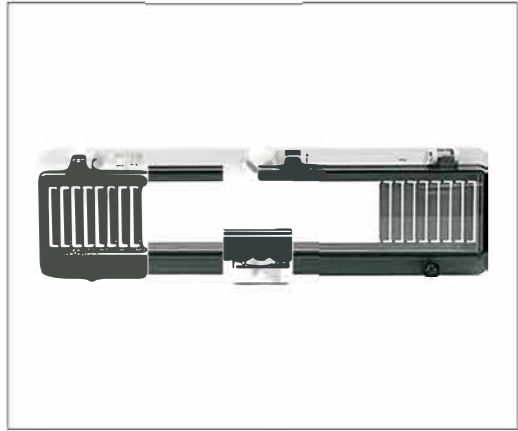
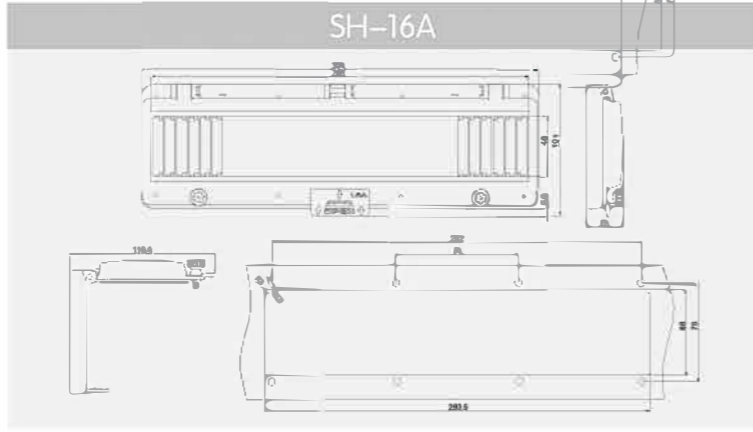
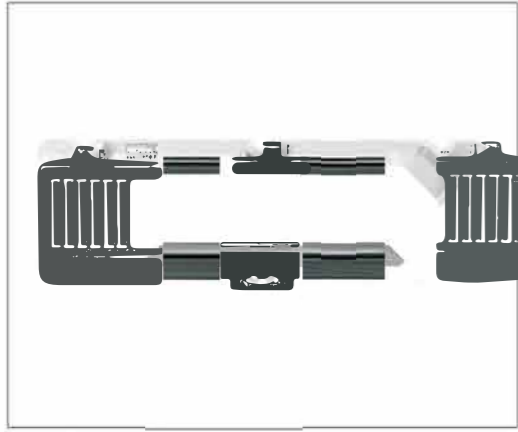
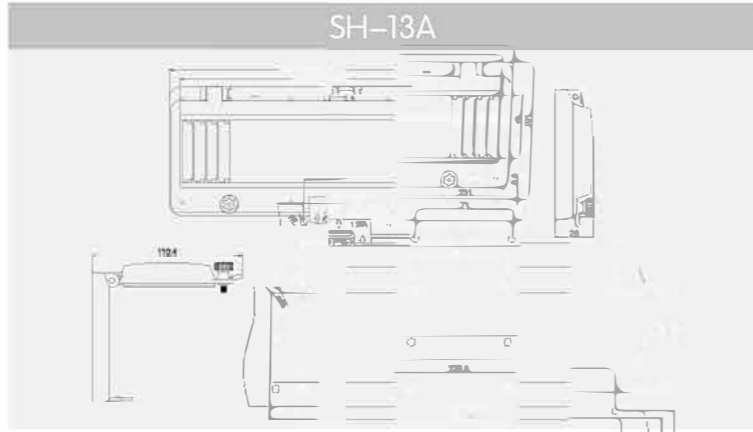
1. 具有极好的密封性能，防水不漏。
2. 完全无毒无味。
3. 可置高强度下加热，不变形，不产生有害物质。
4. 良好的抗拉力性能，经过专门检验测试。
5. 长期使用不变黄不褪色。
6. 耐电晕性、耐电弧性、耐高低温、耐老化性能好、耐高温等性能。

### Entrance and Exit Holes/ 进出线孔

Holes may be opened on the waterproof box according to the customers' application requirements (the hole position and size all can be processed according to the customers' specified requirement.) After the holes are opened, the matched waterproof clamped connection may be assembled to achieve the effect of best waterproof.

防水盒可以随意根据客户的使用要求在上面开孔。(开孔位置及开孔大小都可以按照客户指定要求加工。)开孔后可以装有配套的防水夹紧接头，达到防水最佳效果。





# JK SERIES

## JUNCTION BOX

防水接线盒



JK Series Junction boxes are made in puncture-resistance high-strength engineering plastics, which has features of waterproof, dampproof, dustproof and anti-corrosion. This superior engineering material meets the high requirements of industrial distributing system, such as all insulation, IP rating as high as IP65, anti-corrosion, high mechanical strength, well designed, easily installation, anti-heat, maintenance free, flame retardant, self-extinction, light weight and etc. The long-term economic benefit is higher than normal metal distribution boxes. So it's high quality with reasonable prices.

JK 接线盒产品，广泛采用耐撞击高强度工程塑料而使其产品具有防水防潮、防尘及耐腐蚀的特点。这种优质的高级工程材料以理想的方式达到了建筑及工业配电系统所提出的较高要求：全绝缘、高达 IP65 防护等级、耐腐蚀、机械强度高、设计与装配简单、耐热、免维护、难燃、自熄、重量轻等。其长远经济效益远高于普通的金属外壳配电装置。也就是说综合指标它还是物美价廉的。

The main products are as following:

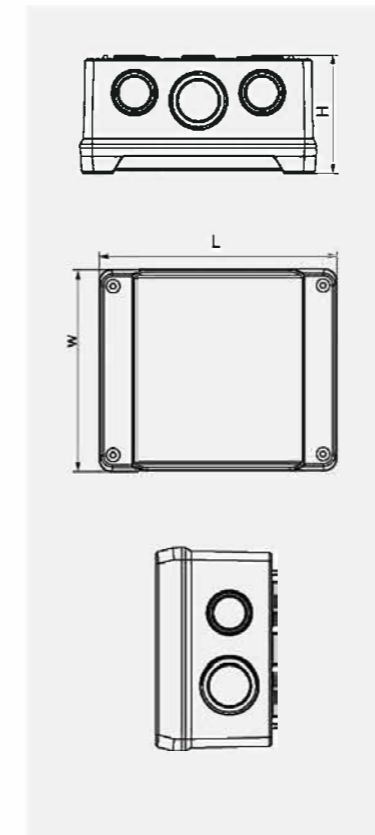
1. JK Junction Box (used for sectional area 1.5mm<sup>2</sup>-240mm<sup>2</sup> of conductors, IP65/IP54);
2. Mi Combined Type Distribution Unit (IP65, rating current up to 1000A);

主要产品:

1. JK 分线盒 (适用导线截面积 1.5mm<sup>2</sup>-240mm<sup>2</sup>, IP65/IP54);
2. Mi 组合式配电装置 (IP65, 额定工作电流至 1000A);



### Product size/ 产品尺寸



Model 型号	Dimensions 尺寸		
	L 长 (mm)	W 宽 (mm)	H 高 (mm)
9025 (包括 4 个 ESM20 管接头) 9025 (including 4 ESM20 pipe coupling)	88	88	53
9125 (包括 4 个 ESM20 管接头) 9125 (including 4 ESM20 pipe coupling)	88	88	53
9045 (包括 4 个 ESM20 管接头) 9045 (including 4 ESM20 pipe coupling)	98	98	61
9065 (包括 4 个 ESM20 管接头) 9065 (including 4 ESM20 pipe coupling)	119	139	70
9105 (包括 4 个 ESM20 管接头) 9105 (including 4 ESM20 pipe coupling)	125	167	82
9255 (包括 4 个 ESM20 管接头) 9255 (including 4 ESM20 pipe coupling)	160	200	98
9355 (包括 4 个 ESM20 管接头) 9355 (including 4 ESM20 pipe coupling)	210	260	117
9505 (包括 4 个 ESM20 管接头) 9505 (including 4 ESM20 pipe coupling)	310	210	117



# UKF SERIES

## WEATHER PROTECTED SWITCH

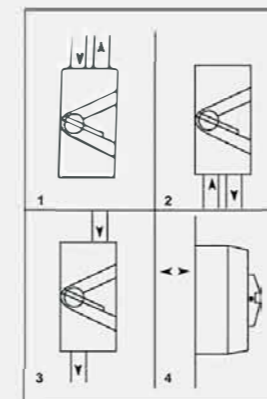
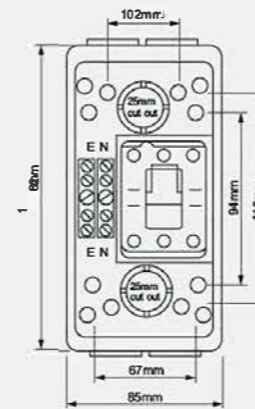


### General

- ※ Cables looped in and out from overhead
- ※ In and out from underground
- ※ In and out straight through the switch
- ※ two 25mm rear knockouts are moulded in the base for surface mounting with concealed wiring.



### Specification



Dual 25mm screwd conduit entries top and bottom (up to 55amp.) allows four ways to surface wire the switch.

### Products Available

Model	Description	IP Rating
UKF1-20	20A 500V Single pole surface switch. Terminals accommodate 16mm <sup>2</sup> cable. M Rating 220	65
UKF1-35	35A/63A 250V Single pole. Terminals accommodate mm <sup>2</sup> cable. M rating 220	

### Products Available

Model	Description	IP Rating
UKF2-20	20A 440V double. Trminals accommodate 16mm <sup>2</sup> cables. M Rating 180.	65
UKF2-35	35A 440V double. Trminals accommodate 16mm <sup>2</sup> cables. M Rating 180.	
UKF2-63	63A 400V double. Trminals accommodate 16mm <sup>2</sup> cables. M Rating 180.	

### Products Available

Model	Description	IP Rating
UKF3-20	20A 440V Tripe Pole. Trminals accommodate 16mm <sup>2</sup> cables. M Rating 180.	65
UKF3-35	35A 440V Tripe Pole. Trminals accommodate 16mm <sup>2</sup> cables. M Rating 180.	
UKF3-63	55A 440V Tripe Pole. Trminals accommodate 16mm <sup>2</sup> cables. M Rating 180.	
UKF4-20	20A 440V Tripe Pole. Trminals accommodate 16mm <sup>2</sup> cables. M Rating 180.	
UKF4-35	35A 440V Tripe Pole. Trminals accommodate 16mm <sup>2</sup> cables. M Rating 180.	
UKF4-63	55A 440V Tripe Pole. Trminals accommodate 16mm <sup>2</sup> cables. M Rating 180.	
UKF3-55-32CE	55A 440V Tripe Pole. With 32mm conduit entry at each end Trminals accommodate 16mm <sup>2</sup> cables. M Rating 160.	
UKF3-63-32CE	63A 440V Tripe Pole. With 32mm conduit entry at each end Trminals accommodate 16mm <sup>2</sup> cables. M Rating 160.	

# SH-Q3 SERIES

## WATER-PROOF JUNCTION BOX

防水接线盒



It is made of materials such as ABS and PC, etc, elegant external shape, high firmness. Combined body and cover are fixed with four plastic screws that are difficult to fall off. Its specification and size can be designed based on the customer requirements. Economic and affordable. Net weight only accounts for the iron box of about 1/4, to facilitate handling and operation, no corrosion, good insulation.

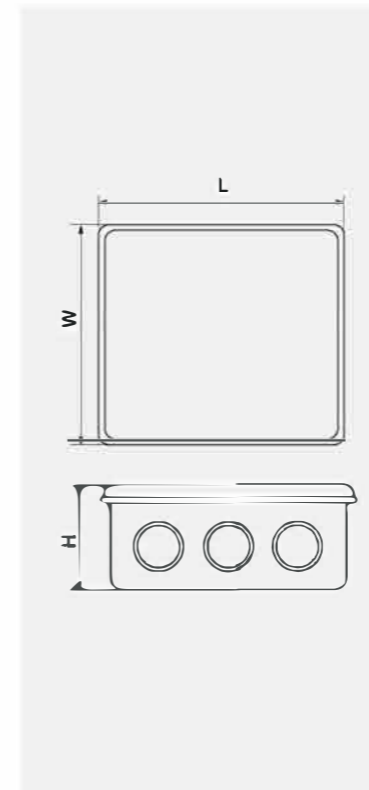
采用用 ABS、PC 等材料制成，外形美观大方，具有很高的坚固性。合体与盖采用四个不易脱落的塑料螺丝固定。其规格大小可以随客户要求而设计。即经济又实惠。净重只占铁制盒子的 1/4 左右，便于搬运和操作，无腐蚀性，绝缘性佳。

Waterproof junction box purpose: electrical, electronics, communication, fire fighting equipment, control panel, terminal box, large factory, coastal plant, environmental hazard facility, etc.  
Materials can be selected according to the customer's requirements.

防水接线盒的用途：电气、电子、通信、消防设备、控制板、端子箱、大型工厂、沿海工厂、环境公害设施等。可以按客户的要求来选择材料。



### Product size/ 产品尺寸



Model 型号	Dimensions 尺寸		
	L 长 (mm)	W 宽 (mm)	H 高 (mm)
SH-Q3-801	50		30
SH-Q3-802	50		50
SH-Q3-803	80		50
SH-Q3-804	80	80	50
SH-Q3-805	85	85	50
SH-Q3-806	100	100	70
SH-Q3-807	150	110	70
SH-Q3-808	150	150	70
SH-Q3-809	200	100	110
SH-Q3-8010	200	155	80
SH-Q3-8011	200	100	70
SH-Q3-8012	200	200	80
SH-Q3-8013	255	200	80
SH-Q3-8014	300	250	120
SH-Q3-8015	400	350	120





一开五孔插座



英式一开三孔带指示灯



多功能六孔插座



多功能五孔插座



英式二开六孔带指示灯



二开双五孔插座



户外防水盒加高一倍



新型防水插座



新型防水插座



新型防水插座