



MOREDAY



Thailand Distributor :

www.7-mars.com Email : info@7-mars.com

Tel : +66(02) 114 7145-9 Auto 5Line

MORE THEN SOLAR

MDYB220222

MOREDAY

President's thoughts

As we look back on 2020, I am proud of how we adapted to the challenges that came our way. We took care of our employees, provided for our customers and partners, and prospered along the way.

We are optimistic about our resilience, flexibility, and solid business processes, reflecting the best in sustainability.

Sustainability is at our core at MOREDAY and our purpose remains to advance a sustainable future for all. As part of our commitment, we released our Reports on the development of the photovoltaic field in the next five years and better sustainable approaches. As we work towards an equitable energy future for all, we are aware of the importance of mobilizing the world to reduce the carbon footprint and electrify the planet.

We will continue to work hard to deliver high quality products that produce clean energy, save our customers money, and provide them with complete energy independence. Looking forward in 2021, we are excited about the strength in worldwide demand for solar, the ramp of our solar systems and upcoming new products, the higher levels of customer service, and our ongoing digital transformation efforts.

As always, I thank our employees, customers, partners, and shareholders for their continued support.

we will continue with our mission to deliver technology solutions that make clean energy affordable, reliable and accessible to all.

To be continued, More than solar

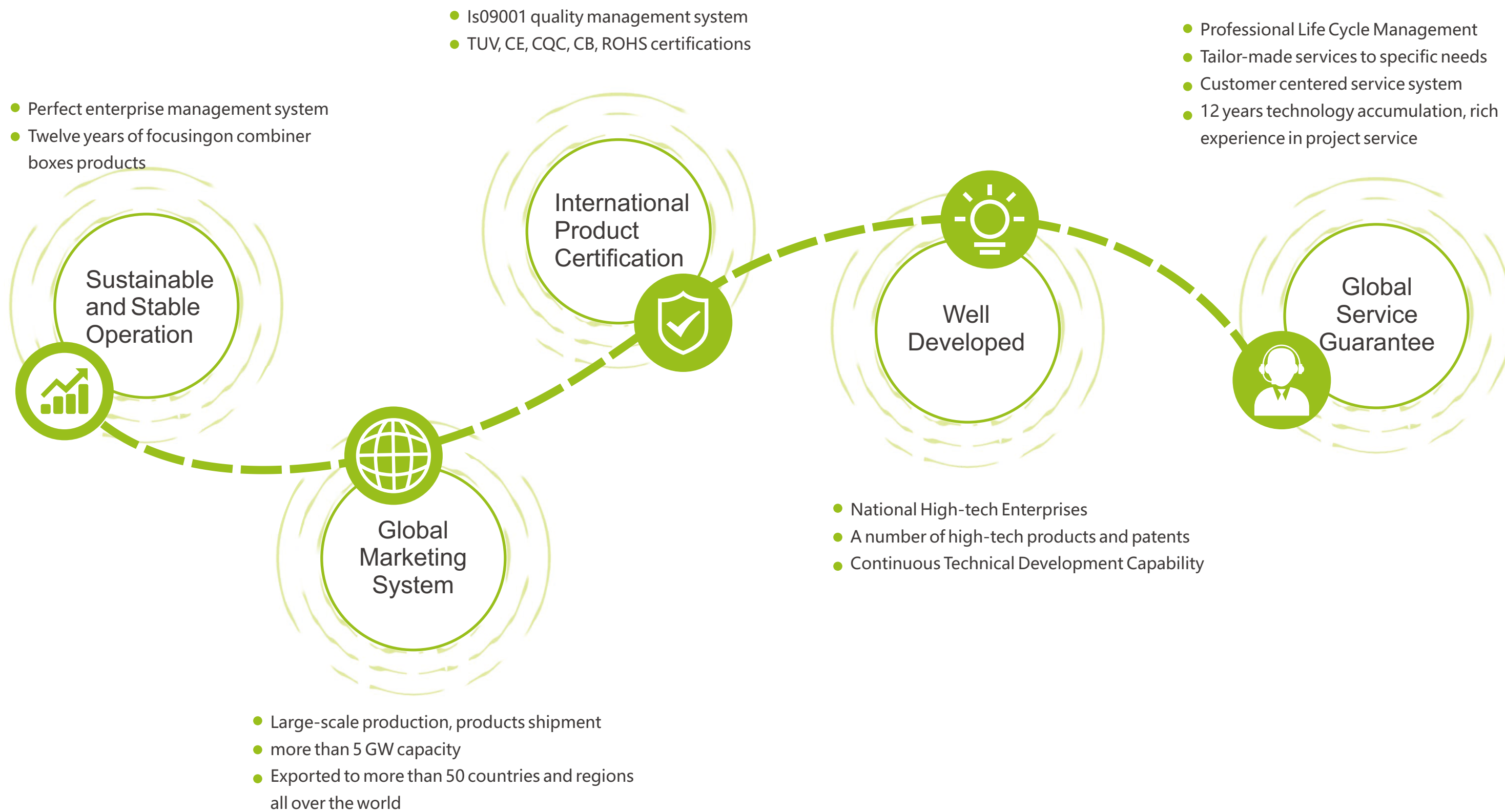


Dedao Huang
President and CEO

Oct.20, 2021



Corporate Advantage



Enterprise honor and qualification



PATENT FOR INVENTION

UTILITY MODEL PATENT CERTIFICATE

DESIGN PATENT CERTIFICATE

TECHNOLOGY-BASED ENTERPRISE



ISO14001



ISO9001



ISO45001



- Member of Asian Photovoltaic Industry Association
- National high-tech enterprise
- Well-known brands in China's photovoltaic industry in 2019
- Caring for employees and caring enterprises in 2020

- 2019、2020 SNEC Megawatt jade Award
- 2020 Outstanding Photovoltaic Enterprise
- Chinese technology-based SMEs
- Zhejiang Promise-keeping 3A Enterprise



CE

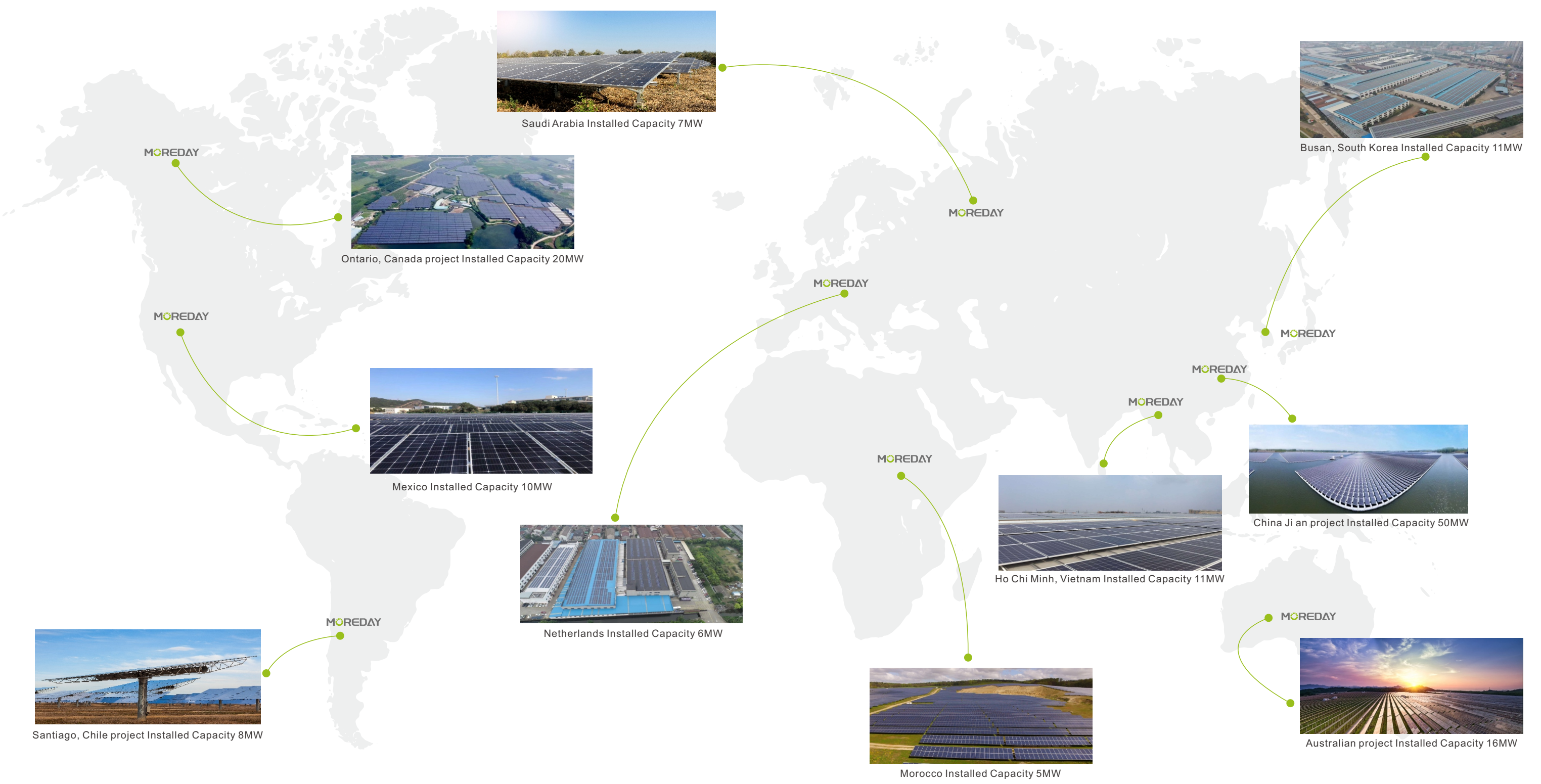


CQC

MOREDAY

Corporate partner





50+ Exporting Countries

5GW+ Cumulative shipments

30+ Patents

12yrs Industry experience

1000+ Global customers

Product Catalogue

MDCDB PV Combiner And Distribution Box	01
Mddb AC Distribution Box	04
MDJB PV DC Combiner Box	06
MDX-20 PV Grid-Connected Distribution Box	11
MDX-200 PV Grid-Connected Distribution Box	12
MDXLD-4/1 6/1 12/1 PV DC Combiner Box	13
MDXLD-16/1 PV DC Combiner Box	15
MDXLD-24/1 PV DC Combiner Box	18
MDJB-4B DC COMBINER BOX	21
MDJB-6B DC COMBINER BOX	23
MDB1Z-63/MDB1Z-100 DC Miniature Circuit Breaker	25
MDB2Z-63 DC Miniature Circuit Breaker	28
MDB1-63 AC Miniature Circuit Breaker	30
MDB1-100 AC Miniature Circuit Breaker	32
MDB7 Miniature Automatic Reclosing Circuit Breakers	34
MDM8L PV Plastic Smart Circuit Breakers	35
MDM1Z/5Z DC Moulded Case Circuit Breaker	36
MDM6Z DC Moulded Case Circuit Breaker	38
MDM1 AC Moulded Case Circuit Breaker	40
MDSP 1000/1500V PV DC Surge Protection Device	44
MD1-40 AC Surge Protection Device	45
MDIS-40/40A PV DC Isolation Switch	46
MDIS-40MD PV DC Isolation Switch	47
MDF1 AC Isolation Switch	48
MDPV-30/32 PV Fuses	50
MD-MC4(1000V) Solar DC Panel Connector	52
MD-MC4(1500V) Solar DC Panel Connector	53
PV-MD-MC4-S Solar DC Panel Connector	54
10A/15A/20A Solar Panel Connector With Diode	55
10A/15A/20A/30A Solar Panel Connector With PV Fuse	56
PV-MDT2 Panel Branch Connector	57
PV-MDT3 Panel Branch Connector	58
PV-MDT4 Panel Branch Connector	59
PV-MDT5 Panel Branch Connector	60
PV-MDT6 Panel Branch Connector	61
PV-MDY2 Panel Branch Connector	62
PV-MDY3 Panel Branch Connector	63
PV-MDY4 Panel Branch Connector	64
2.5m ² 14AWM,4m ² ,6m ² 12AWM,10AWM PV MDC Cable	65
2.5m ² , 4m ² , 6m ² PV MDC Cable	66
PV-MDT Photovoltaic Connector Kit	67
PV-MDS Tow-set spanners	67
PV-MDT3 Crimping Tool	67
PV-MDT5 Crimping Tool	68
PV-MDT6 Stripping Tool	68
Modular Intelligent Prefabricated Cabin	69
KYN High voltage grid-connected cabinet	69
MDXGGD Low voltage grid-connected cabinet	69
Integrated photovoltaic substation	70
European-Style Photovoltaic Substation	70
American-Style Photovoltaic Substation	71

MDCDB PV Combiner And Distribution Box

► Overview

Suitable for household and industrial and commercial photovoltaic power generation systems; Integrated DC junction box and AC distribution box; Maximum suitable for 6kW single-phase photovoltaic power generation system; Maximum applicable to 20kW three-phase photovoltaic power generation system; Meet customer's customized needs.



Model	Voltage	Maximum system power	Optional
MDCDB-S3	600V	3kW	1. Meter
MDCDB-S6	600V	6kW	2. AC fuses
MDCDB-T10	1000V	10kW	3. Overvoltage protection device
MDCDB-T20	1000V	20kW	4. other



► Technical Parameters

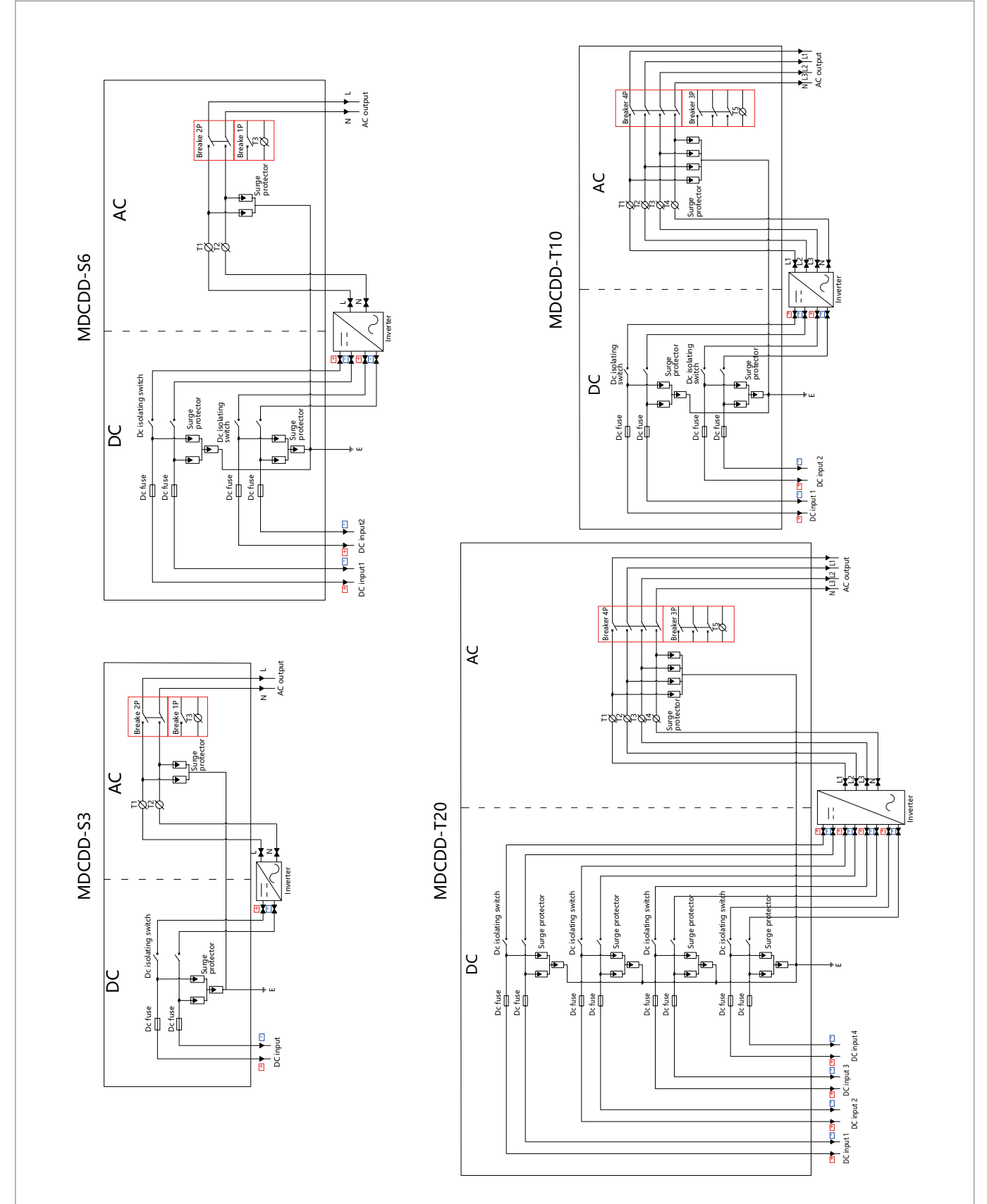
Model	MDCDB-1	MDCDB-2	MDCDB-3	MDCDB-4
Basic parameters				
DC input string	1 string	2 string	2 string	4 string
DC output string	1 string	2 string	2 string	4 string
Maximum DC input voltage	600V	600V	1000V	1000V
Maximum DC short-circuit current	15A to 32A (Optional)			
Maximum DC output current	32A			
Rated AC voltage	220 / 230 / 240V AC	220 / 230 / 240V AC	380 / 400 / 415V AC	380 / 400 / 415V AC
Rated AC current	13.6A/16A	27.3A/32A	15.2A/20A	30.4A/40A
Rated frequency	50/60 Hz			
Optional function				
Meter	Optional			
AC fuses	Optional			
Overvoltage protection device	Optional			
DC monitoring	Optional			
AC leakage protector	Optional			



► Technical Parameters

Model	MDCDB-1	MDCDB-2	MDCDB-3	MDCDB-4
Enclosure				
Cabinet material	PC+ABS			
Anti-UV	Yes			
Foreign body protection level	IP65			
Collision protection level	IK10			
Dimensions (W*H*D)	Customized			
DC input port	PG09, 2.5 to 4mm ²			
DC output port	PG09, 2.5 to 4mm ²			
AC input port	PG25, 2.5 to 6mm ²	PG25, 2.5 to 10mm ²	PG25, 2.5 to 6mm ²	PG25, 2.5 to 10mm ²
AC output port	PG25, 2.5 to 6mm ²	PG25, 2.5 to 10mm ²	PG25, 2.5 to 6mm ²	PG25, 2.5 to 10mm ²
DC isolated switch				
Rated insulation voltage	600V	600V	1000V	1000V
Rated current	32A			
Classification	DC-PV1/DC-PV2			
Executive Standard	IEC/EN 60947-3, UL508I			
Certification	CE, TUV, SAA, CB			
DC surge protection				
Maximum working voltage	1000V			
Maximum discharge current	40kA			
Executive Standard	EN 50539-11 Type 2			
Certification	CE, TUV, UL			
DC fuse				
Rated working voltage	1000 V			
Rated current	15 to 32A(Optional)			
Dimensions (W*H*D)	Φ10 * 38mm			
Executive Standard	UL, CE, CB			
AC surge protection				
Rated voltage	230V AC	230V AC	400V AC	400V AC
Maximum discharge current	40kA			
Executive Standard	IEC/EN 61643-11			
Certification	CE			
AC circuit breaker				
Circuit breaker type	1P/2P	1P/2P	3P/4P	3P/4P
Rated current	16A	32A	20A	20A
Rated voltage	220/230/240V AC	220/230/240V AC	380/400/415V AC	380/400/415V AC
Rated frequency	50/60Hz			
Environmental parameters				
Operating temperature	-20°C to +60°C			
Humidity	99%			
Altitude	2000m (2000m Above derating)			
Installation method	Wall-mounted installation			

► Diagram





► Overview

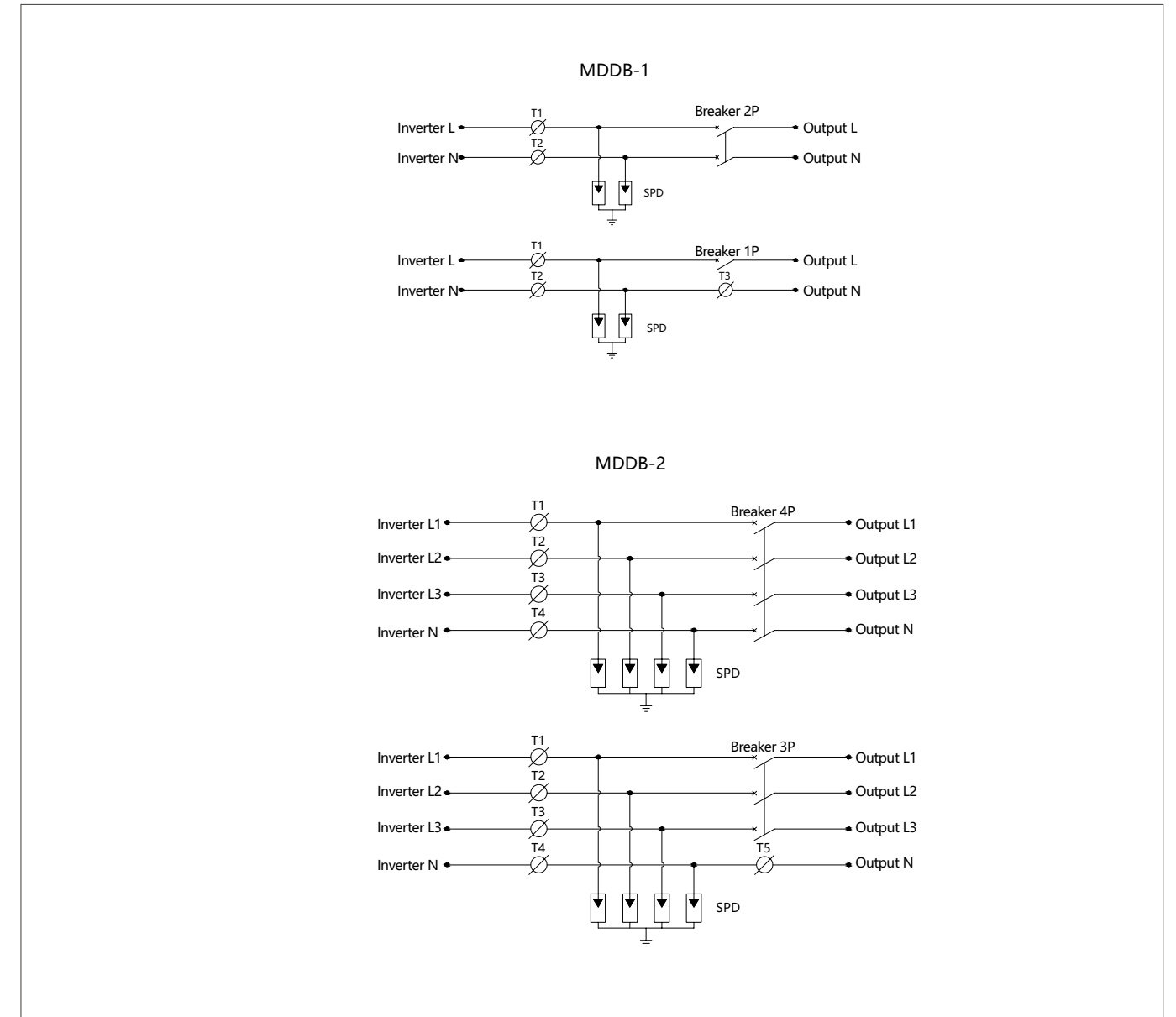
Suitable for household and industrial and commercial photovoltaic power generation systems;
 Maximum suitable for 6kW single-phase photovoltaic power generation system;
 Maximum applicable to 20kW three-phase photovoltaic power generation system;
 Meet customer's customized needs.

Model	Grid type	Maximum system power	Optional
MDDB-1	Single-phase grid	6kW	1. Electric energy meter 2. AC fuses
MDDB-2	Three-phase grid	16kW	3. Over-under voltage protection device 4. Others

► Technical Parameters

Model	MDDB-1	MDDB-2
Basic parameters		
Rated voltage	220/230/240V AC	380/400/415V AC
Rated current	32A	40A
Rated frequency	50/60Hz	
Enclosure		
Cabinet material	PC/ABS/Stainless steel (optional)	
Foreign body protection level	IP65	
Collision protection level	IK10	
Dimensions (W*H*D)	Customized	
AC input port	PG25, 2.5 to 10mm ²	
AC output port	PG25, 2.5 to 10mm ²	
AC circuit breaker		
Circuit breaker type	1P / 2P	3P / 4P
Rated current	50 A	50 A
Rated voltage	220 / 230 / 240V AC	380 / 400 / 415V AC
Rated frequency	50 / 60 Hz	
AC surge protection		
Rated voltage	230V AC	400V AC
Maximum discharge current	40 kA	
Executive Standard	IEC/EN 61643-11	
Certification	CE	
Environmental parameters		
Operating temperature	-20°C to +60°C	
Humidity	99%	
Altitude	2000 m	
Installation method	Wall-mounted installation	
Optional function		
Meter	Optional	
AC fuses	Optional	
Overvoltage protection device	Optional	
AC leakage protector	Optional	

► Diagram





MDJB-A



MDJB-B



► Overview

Suitable for PV system, equipped with a surge protector and isolator fuses, providing isolation, leakage and grounding protection.

► Specification

Model Number	1/1		2/1		2/2		3/1	
Input	1 string		2 string		2 string		3 string	
Output	1 string		1 string		2 string		1 string	
Max Voltage	600V	1000V	600V	1000V	600V	1000V	600V	1000V
Max Current Input (Eachstring)	30A	30A	30A	30A	30A	30A	30A	30A
Max Current Output (Eachstring)	30A	30A	63A	63A	30A	30A	63A	63A

Enclosure

Material	PC/ABS							
Degree of Protection	IP65/IP66							
Impacts	Ik10							
Input Cable Glands	PG09, 2.5-16							
Output Cable Gland	PG21, 2.5-16							

Environment

Operating temperature	-25°C~+60°C							
-----------------------	-------------	--	--	--	--	--	--	--

Model Number	3/3		4/2		6/2		6/3	
Input	3 string		4 string		6 string		6 string	
Output	1 string		2 string		2 string		3 string	
Max Voltage	600V	1000V	600V	1000V	1000V	1000V		
Max Current Input (Eachstring)	30A	30A	30A	30A	20A	30A		
Max Current Output (Eachstring)	30A	30A	63A	63A	63A	63A		

Enclosure

Material	PC/ABS							
Degree of Protection	IP65/IP66							
Impacts	Ik10							
Input Cable Glands	PG09, 2.5-16							
Output Cable Gland	PG21, 2.5-16							

Environment

Operating temperature	-25°C~+60°C							
-----------------------	-------------	--	--	--	--	--	--	--

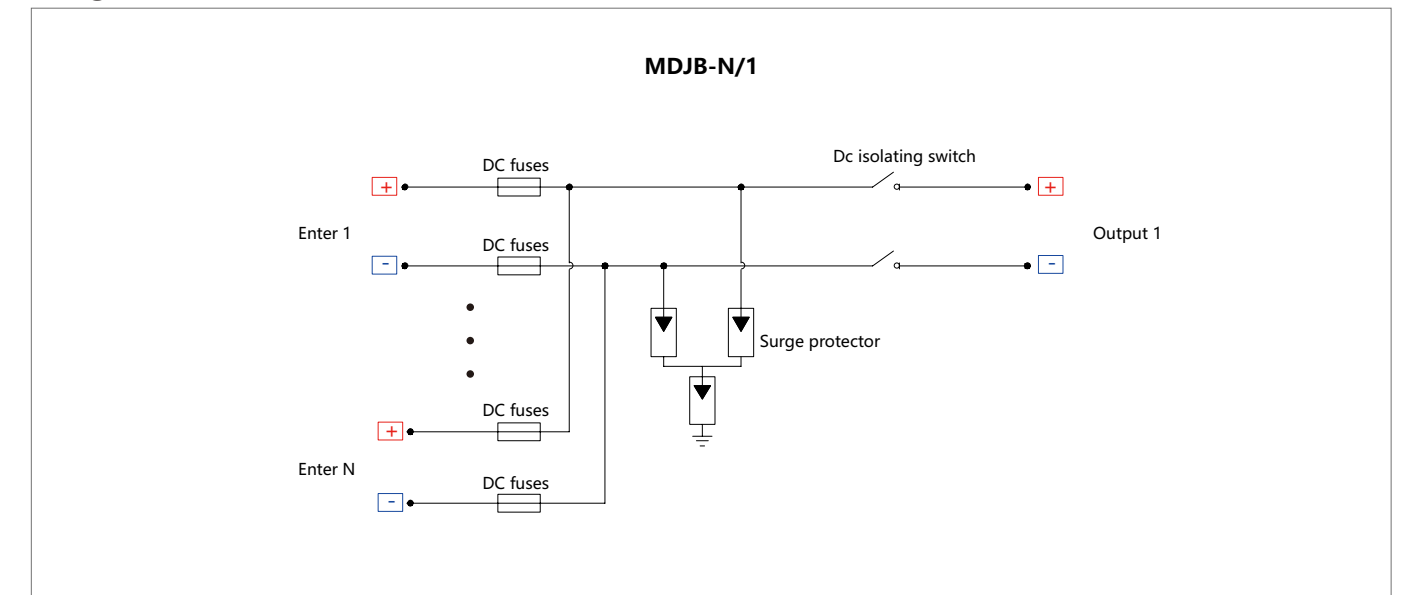
► Dimensions (unit:mm)

Distribution box (MDJB-A)	L*W*H	Distribution box (MDJB-B)	L*W*H
8 Ways	245x235x125	4 Ways	107x210x92
12 Ways	315x235x125	6 Ways	165x200x100
18 Ways	425x235x125	9 Ways	220x200x110
24 Ways	315x405x125	12 Ways	270x230x110
		18 Ways	375x230x110
		24 Ways	270x375x110
		36 Ways	270x530x110

► Technical Parameters

Model	MDJB-1/1	MDJB-2/1	MDJB-3/1	MDJB-4/1	MDJB-6/1
DC surge protection					
Maximum working voltage	1000 V				
Maximum discharge current	40 kA				
Executive Standard	EN 50539-11 Type 2				
Certification	CE, TUV				
DC isolated switch/DC MCB					
Rated insulation pad	1000V				
Rated current	32A	32A	32A	63A	63A/80A
Classification	DC-PV1/DC-PV2				
Executive Standard	IEC/EN 60947-3, UL508I				
Certification	CE, TUV, CB, TUV Australia Approval				
DC fuse					
Rated working voltage	1000V				
Rated current	15~32A(Optional)				
Dimensions (W*H*D)	Φ10 * 38 mm				
Executive Standard	TUV, CE, CB				
Environmental parameters					
Operating temperature	-20°C~+60°C				
Humidity	99%				
Altitude	2000m(2000m Above derating)				
Installation method	Wall-mounted installation				

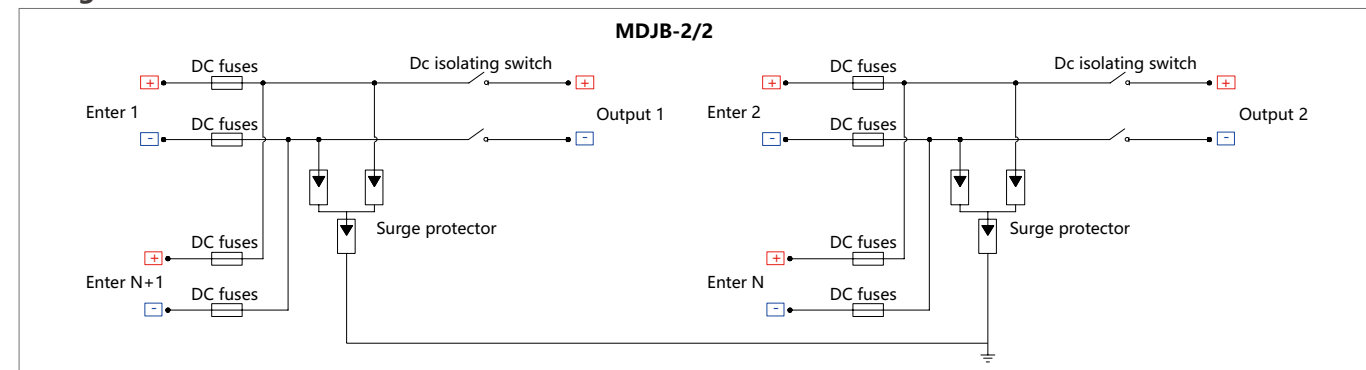
► Diagram



► Technical Parameters

Model	MDJB-2/2	MDJB-4/2	MDJB-6/2
Basic parameters			
DC input string	2 String	4 String	6 String
DC output string	2 String	2 String	2 String
Maximum DC input voltage	1000V		
Maximum DC short-circuit current	15A~32A (Optional)		
Maximum DC output current	32A	32A	32A
DC monitoring	Optional		
Enclosure			
Cabinet material	PC/ABS	PC/ABS	PC/ABS
Anti-UV	Yes	Yes	Yes
Foreign body protection level	IK10		
Collision protection level	IP65		
Dimensions (W*H*D)	Customized		
DC input port	Pg09, 2.5~4 mm ²		
DC output port	Pg25, 4~6 mm ²	Pg25, 4~6 mm ²	Pg25, 6~10 mm ²
DC surge protection			
Maximum working voltage	1000V		
Maximum discharge current	40 kA		
Executive Standard	EN 50539-11 Type 2		
Certification	CE, TUV, CB		
DC isolated switch/DC MCB			
Rated insulation pad	1000V		
Rated current	32A	32A	40A
Classification	DC-PV1/DC-PV2		
Executive Standard	IEC/EN 60947-3, UL508I		
Certification	CE, TUV, CB		
DC fuse			
Rated working voltage	1000 V		
Rated current	15 A~32A (Optional)		
Dimensions (W*H*D)	Φ10 * 38 mm		
Executive Standard	CE, CB, TUV		
Environmental parameters			
Operating temperature	-20°C~+60°C		
Humidity	99%		
Altitude	2000m (2000m Above derating)		
Installation method	Wall-mounted installation		

► Diagram



► Overview

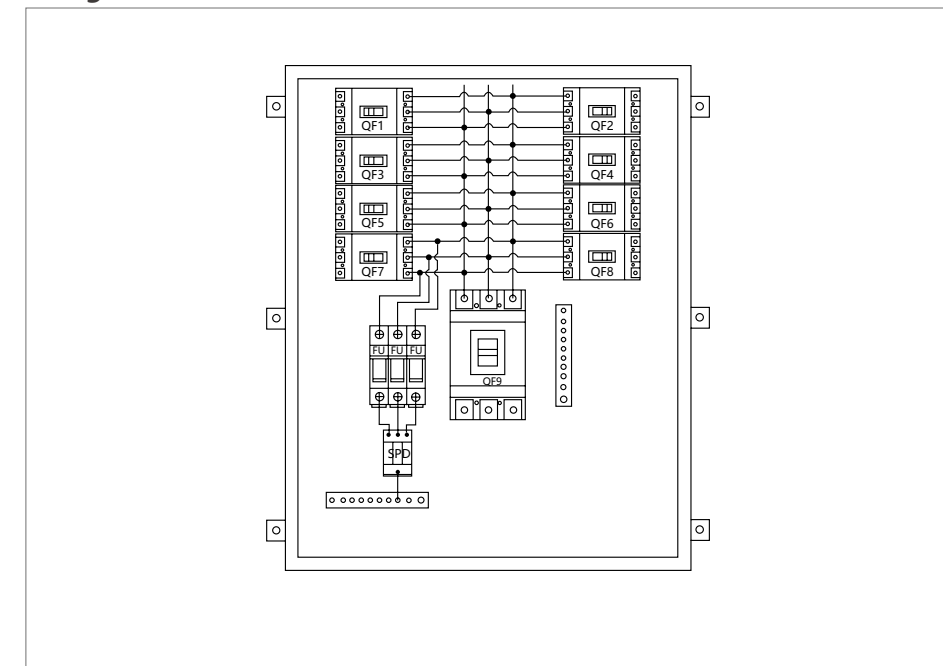
MDHL PV AC combiner box is an important part of PV series string power generation system, which is responsible for string inverter and AC power distribution cabinet or step-up transformer. The product can access up to 4/6/8 PV inverters. It can be customized according to user requirements.

► Features

- High reliability**
Use photovoltaic special AC surge protector
The photovoltaic special AC circuit breaker is used, and the rated voltage can reach 690V AC.
- Strong adaptability**
Ip65 protection, waterproof, dust proof and UV resistant.
Strict high and low temperature test, suitable for a wide area.
The installation is simple, the system wiring is simplified, and the wiring is convenient.
The box is made of a metal material such as cold rolled steel.
- Flexible configuration**
It is suitable for the AC output of 1~50KW PV string inverter. According to the capacity of the inverter, the current level of the circuit breaker can be modified.



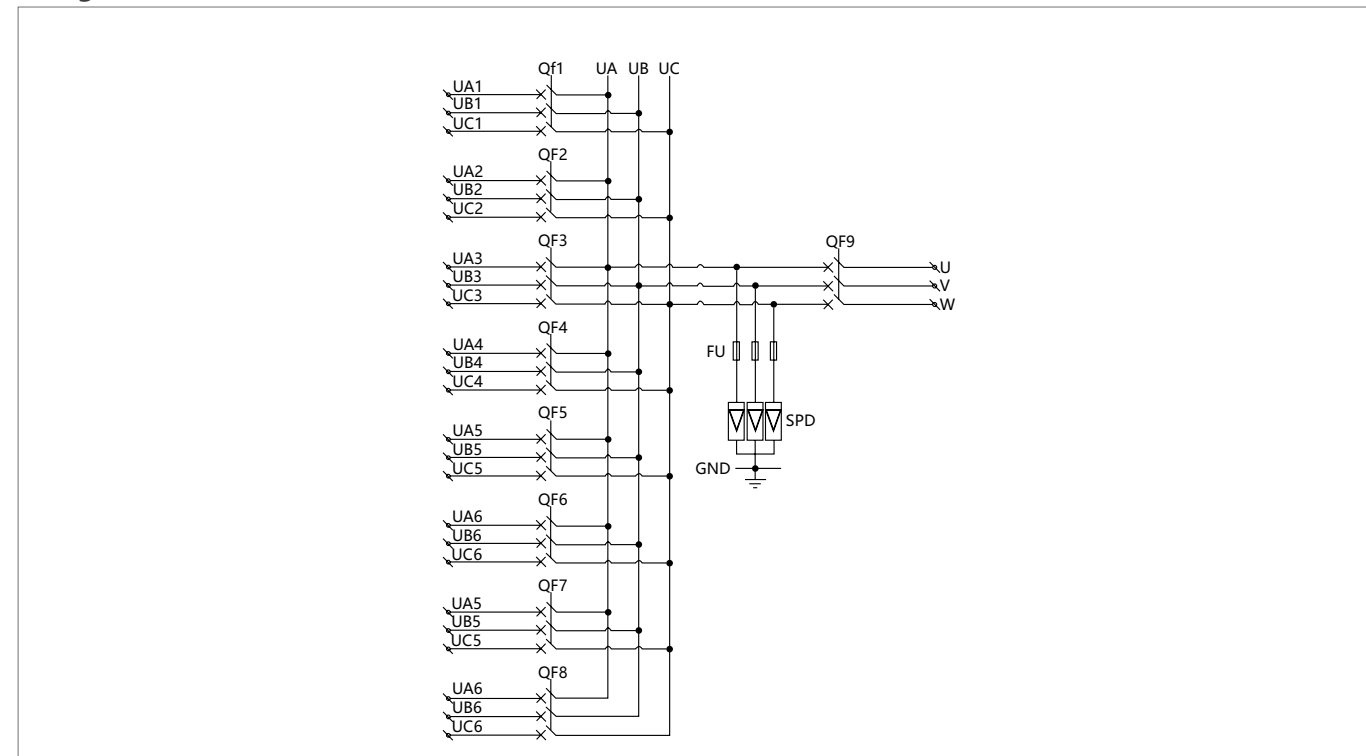
► Diagram



► Technical Parameters

Product number	MDHL-4/1	MDHL-6/1	MDHL-8/1
Number of input channels	4	6	8
Maximum input voltage		690V AC	
Input current per channel	0~250A	0~200A	0~100A
Highest output current		800A	
Un Rated working voltage Un		480V AC	
Up Voltage protection level Up		≤ 3.2kV	
Nominal flow capacity In (8/20μs)	20kA (Can be selected according to customer requirements)		
Maximum flow capacity I _{max} (8/20μs)	40kA (Can be selected according to customer requirements)		
Response time	<25ns		
Temperature and humidity	Working temperature: -40~+85°C, humidity 95%, no condensation, no corrosive gas		
Altitude	≤ 4000m		
Input and output switch	Breaker		
Surge protector	Standard		
Box material	Hot-dip galvanized steel sheet/stainless steel/cold rolled steel sheet/engineering plastic		
Box protection level	IP65		
Cable connector protection rating	IP66		
Volume (width × height × depth)	900mm×1000mm×200mm	700mm×1000mm×200mm	800mm×1000mm×200mm

► Diagram



► Features

Rainproof / waterproof / anti-corrosion
 Size: 650×400×160mm
 Power: 3~10KW

► Optional

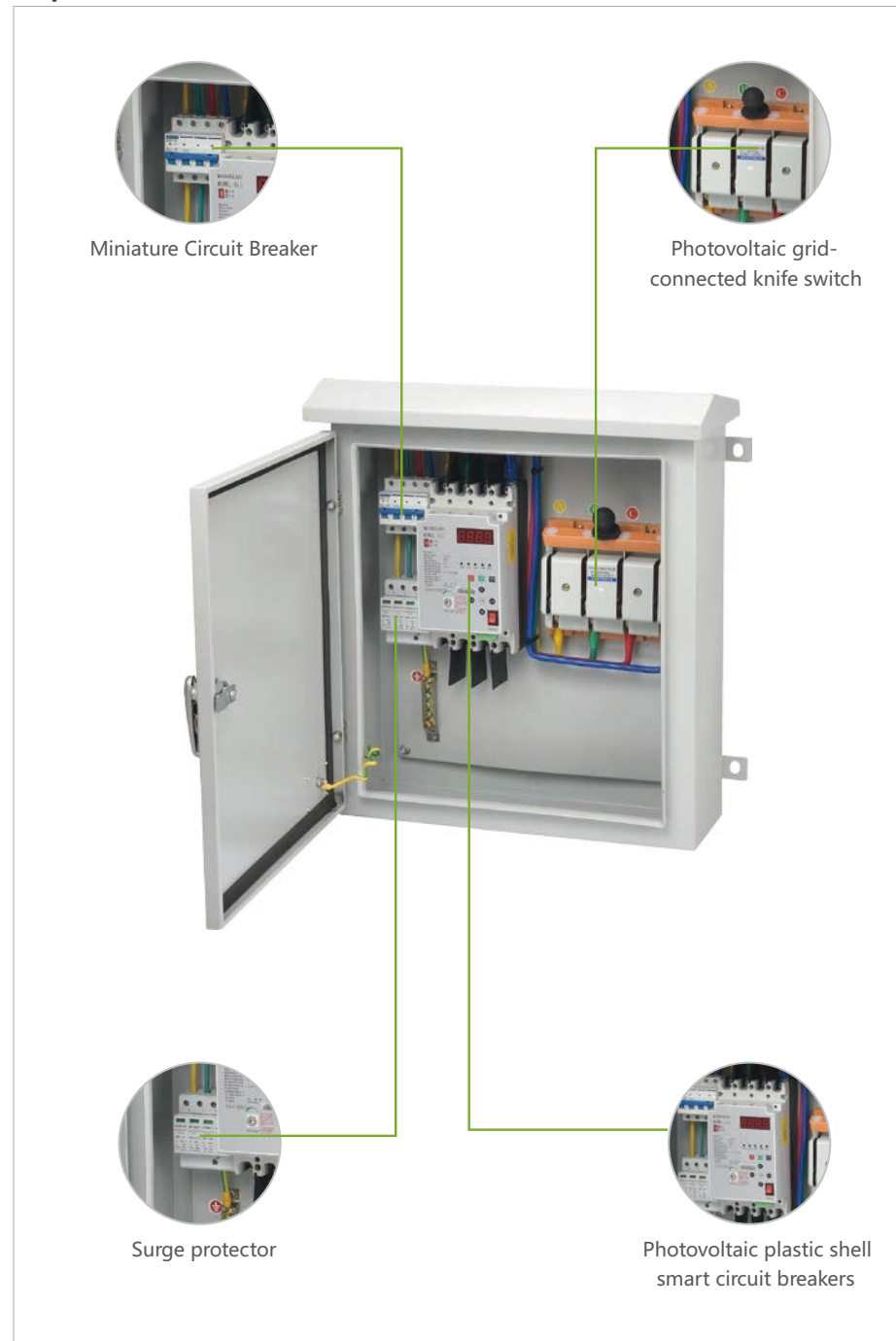




► Features

Rainproof / waterproof / anti-corrosion
 Size: 500×600×200mm
 Power: 8~50KW

► Optional



► Overview

The MDXLD-4/1 6/1 12/1 lightning protection combiner box combines the DC input and sink of the 4/6/12-channel photovoltaic module string into one output, each line is equipped with a fuse, and the output is equipped with a lightning arrester and a circuit breaker, which greatly simplifies the DC power distribution cabinet and the reverse Input wiring for the transformer. It provides lightning protection, short circuit protection and grounding protection. The intelligent lightning protection combiner box is equipped with a flow monitoring unit, which can monitor the current input by each photovoltaic cell string, the summed output voltage, the temperature inside the box, the state of the lightning arrester, and the state of the circuit breaker. It can be customized according to user requirements.

► Features

High reliability

Use PV fuses.
 Use PV surge protectors.
 Use PV DC breaker or rotary isolation switch.
 Technical Specifications for Photovoltaic Confluence Equipment* CGC/GF 037:2014.

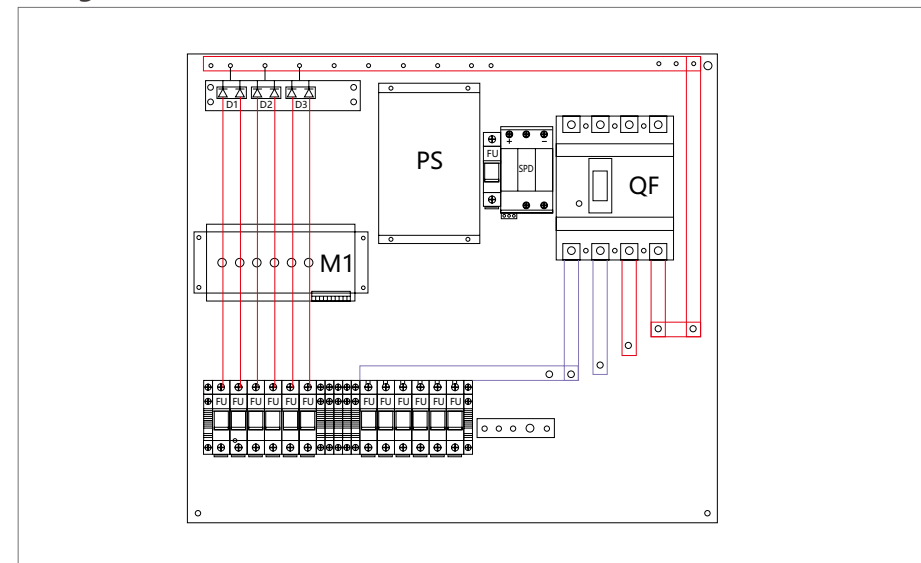
Strong adaptability

Ip65 protection, waterproof, dust proof and UV resistant.
 Strict high and low temperature test, suitable for a wide area.
 The installation is simple, the system wiring is simplified, and the wiring is convenient.
 The box is made of metal materials such as cold rolled steel plate.

Flexible configuration

Applicable to monocrystalline silicon, polycrystalline silicon, thin film photovoltaic modules, can modify the current level of photovoltaic fuses, circuit breakers, rotary isolating switches.

► Diagram



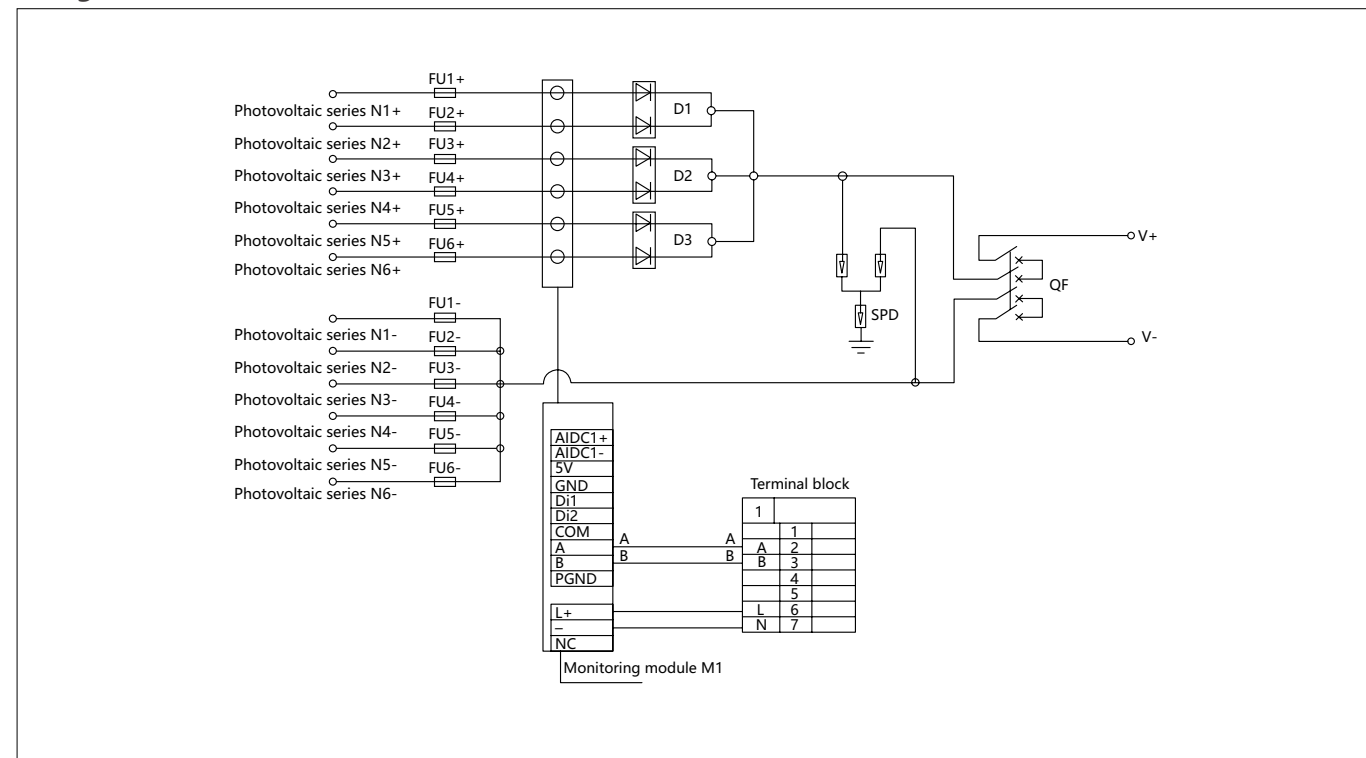
► Technical Parameters

Name	MDXLD-4/1 6/1 12/1
Electrical parameters	
System maximum DC voltage	1500
Maximum input current per channel	15A
Maximum number of input channels	4/6/12
Maximum output switching current	100A
Number of inverter MPPT	N
Number of output channels	1
Lightning protection	
Test category	II pole protection
Nominal discharge current	20kA
Maximum discharge current	40kA
Voltage protection level	3.8kV
Maximum continuous operating voltage	1500V
Number of poles	3P
Structural features	Pluggable module

► Technical Parameters

Name	MDXLD-4/1 6/1 12/1
System	
Protection level	IP65
Output switch	DC circuit breaker (standard) / DC rotary isolating switch (optional)
SMC4 waterproof connector	Standard
Photovoltaic DC fuse	Standard
Photovoltaic DC fuse	Standard
Monitoring module	Optional
Anti-reverse diode	Optional
Box material	Metal
Installation method	Wall-mounted
Operating temperature	-25°C~+ 55°C
Altitude	2000 meter
Allow relative humidity	0~95%, no condensation

► Diagram



► Overview

The MDXLD-PV16/1 lightning protection combiner box combines the DC input and sink of the 16-channel photovoltaic module string into one output, each line is equipped with a fuse, and the output is equipped with a lightning arrester and a circuit breaker, which greatly simplifies the DC power distribution cabinet and the reverse Input wiring for the transformer. It provides lightning protection, short circuit protection and grounding protection. The intelligent lightning protection combiner box is equipped with a flow monitoring unit, which can monitor the current input by each photovoltaic cell string, the summed output voltage, the temperature inside the box, the state of the lightning arrester, and the state of the circuit breaker. It can be customized according to user requirements.

► Features

High reliability

- Use PV fuses.
- Use PV surge protectors.
- Use PV DC breaker or rotary isolation switch.
- Technical Specifications for Photovoltaic Confluence Equipment" CGC/GF 037:2014.

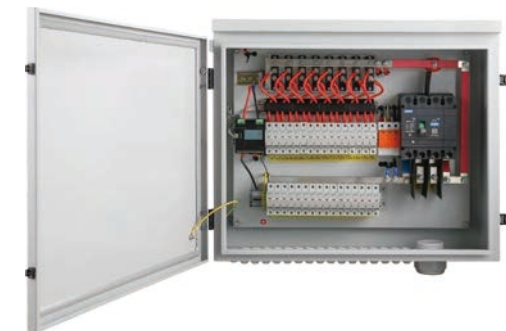
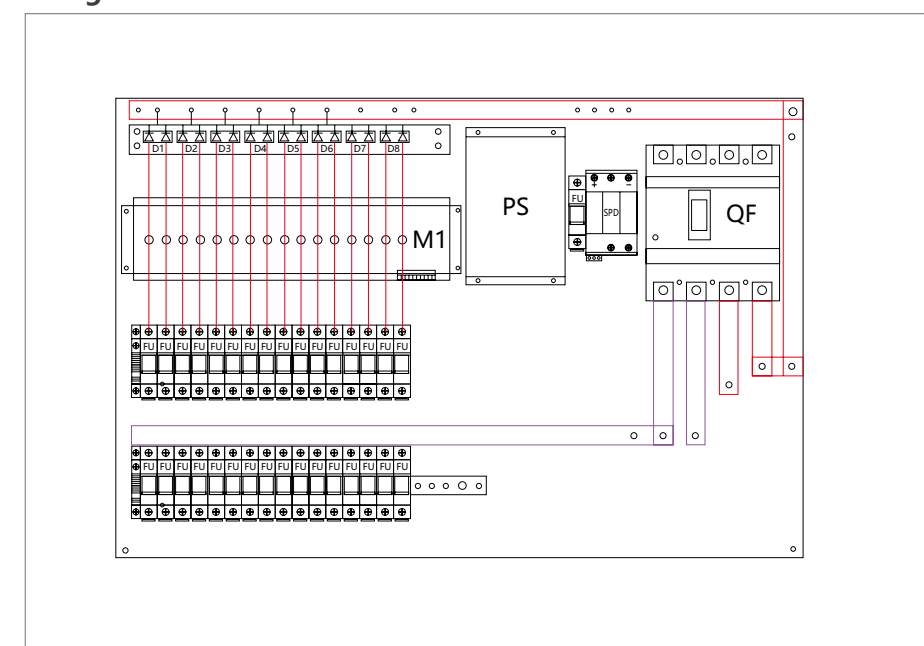
Strong adaptability

- Ip65 protection, waterproof, dust proof and UV resistant.
- Strict high and low temperature test, suitable for a wide area.
- The installation is simple, the system wiring is simplified, and the wiring is convenient.
- The box is made of metal materials such as cold rolled steel plate.

Flexible configuration

- Applicable to monocrystalline silicon, polycrystalline silicon, thin film photovoltaic modules, can modify the current level of photovoltaic fuses, circuit breakers, rotary isolating switches.

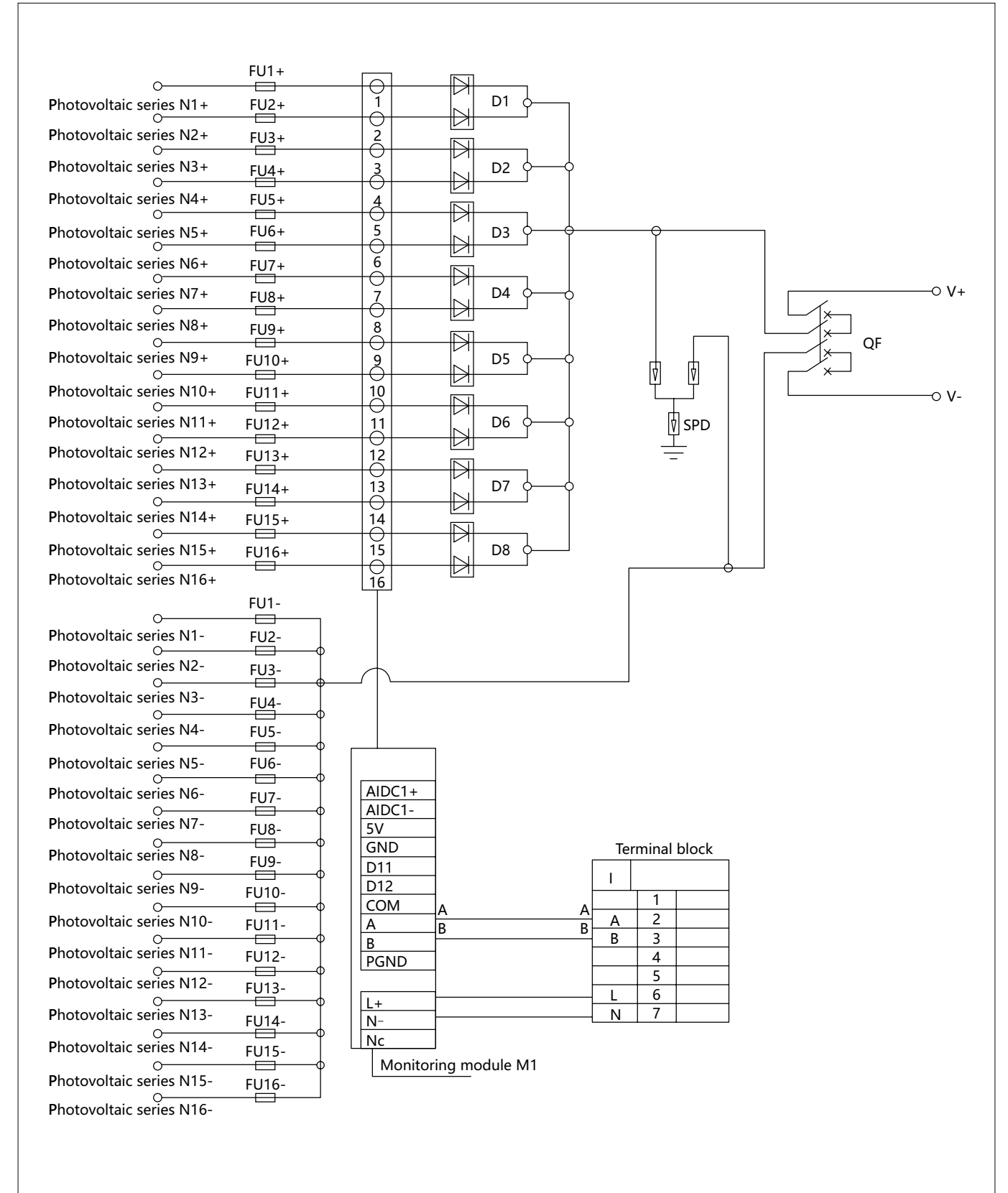
► Diagram



► Technical Parameters

Name	MDXLD-PV16/1
Electrical parameters	
System maximum DC voltage	1500
Maximum input current per channel	15A
Maximum number of input channels	16
Maximum output switching current	200A
Number of inverter MPPT	N
Number of output channels	1
Lightning protection	
Test category	II pole protection
Nominal discharge current	20kA
Maximum discharge current	40kA
Voltage protection level	3.8kV
Maximum continuous operating voltage	1500V
Number of poles	3P
Structural features	Pluggable module
System	
Protection level	IP65
Output switch	DC circuit breaker (standard) / DC rotary isolating switch (optional)
SMC4 waterproof connector	Standard
Photovoltaic DC fuse	Standard
Photovoltaic DC surge protector	Standard
Monitoring module	Optional
Anti-reverse diode	Optional
Box material	Metal
Installation method	Wall-mounted
Operating temperature	-25°C~+ 55°C
Altitude	2000 meter
Allow relative humidity	0~95%, no condensation

► Diagram



► Overview

The MDXLD-PV24/1 lightning protection combiner box combines the DC input and sink of the 24-channel photovoltaic module string into one output, each line is equipped with a fuse, and the output is equipped with a lightning arrester and a circuit breaker, which greatly simplifies the DC power distribution cabinet and the reverse Input wiring for the transformer. It provides lightning protection, short circuit protection and grounding protection. The intelligent lightning protection combiner box is equipped with a flow monitoring unit, which can monitor the current input by each photovoltaic cell string, the summed output voltage, the temperature inside the box, the state of the lightning arrester, and the state of the circuit breaker. It can be customized according to user requirements.

► Features

High reliability

- Use PV fuses.
- Use PV surge protectors.
- Use PV DC breaker or rotary isolation switch.
- Technical Specifications for Photovoltaic Confluence Equipment* CGC/GF 037:2014.

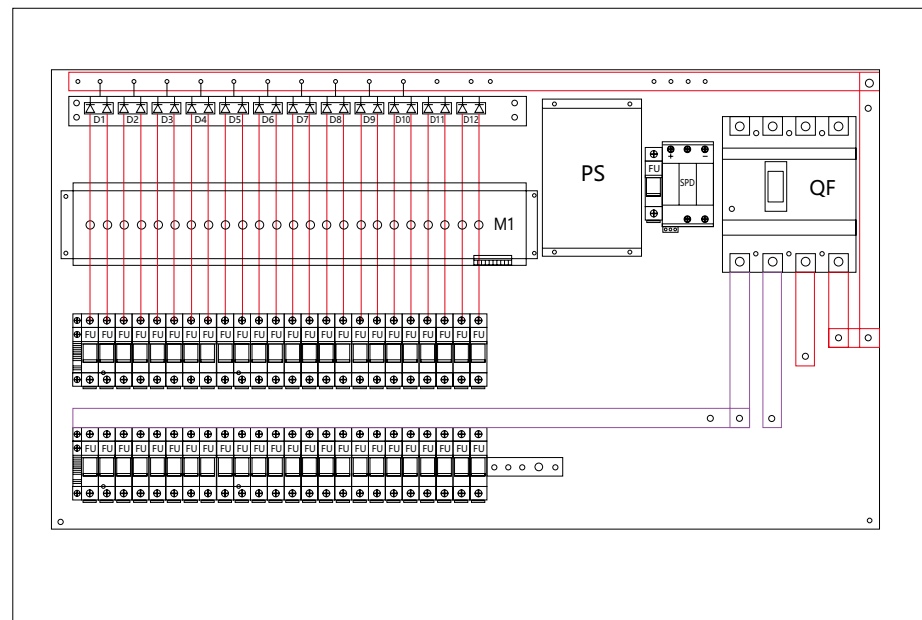
Strong adaptability

- Ip65 protection, waterproof, dust proof and UV resistant.
- Strict high and low temperature test, suitable for a wide area.
- The installation is simple, the system wiring is simplified, and the wiring is convenient.
- The box is made of metal materials such as cold rolled steel plate.

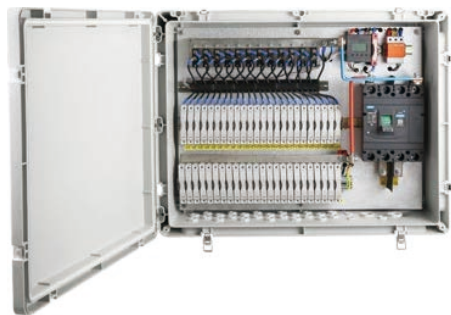
Flexible configuration

- Applicable to monocrystalline silicon, polycrystalline silicon, thin film photovoltaic modules, can modify the current level of photovoltaic fuses, circuit breakers, rotary isolating switches.

► Diagram



MDXLD-24/1 Metal



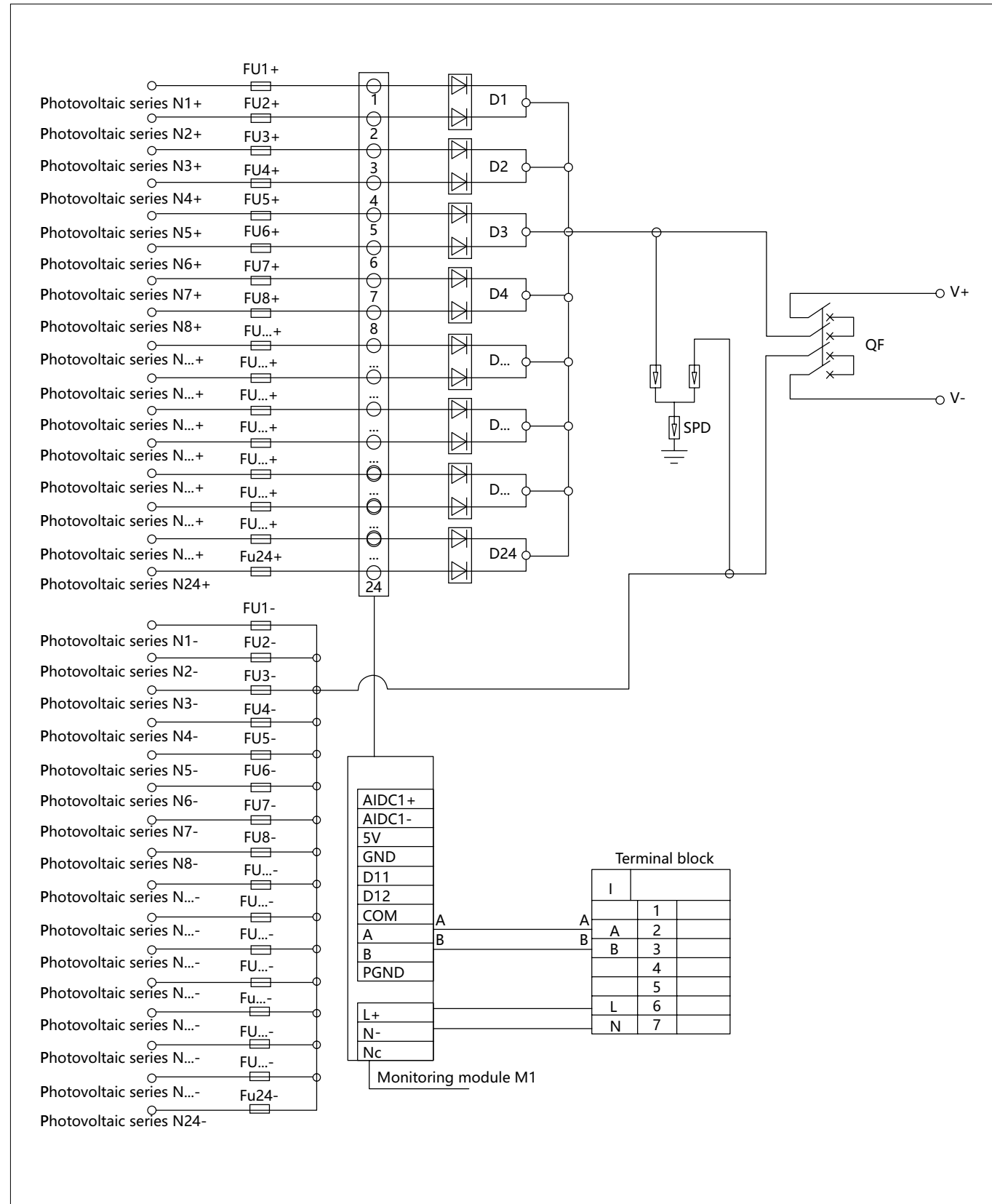
MDXLD-24/1 SMC



► Technical Parameters

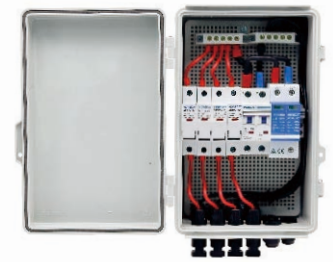
Name	MDXLD-PV24/1
Electrical parameters	
System maximum DC voltage	1500
Maximum input current per channel	15A
Maximum number of input channels	24
Maximum output switching current	400A
Number of inverter MPPT	N
Number of output channels	1
Lightning protection	
Test category	II pole protection
Nominal discharge current	20kA
Maximum discharge current	40kA
Voltage protection level	3.8kV
Maximum continuous operating voltage	1500V
Number of poles	3P
Structural features	Pluggable module
System	
Protection level	IP65
Output switch	DC circuit breaker (standard) / DC rotary isolating switch (optional)
SMC4 waterproof connector	Standard
Photovoltaic DC fuse	Standard
Photovoltaic DC surge protector	Standard
Monitoring module	Optional
Anti-reverse diode	Optional
Box material	Metal/SMC
Installation method	Wall-mounted
Operating temperature	-25°C~+ 55°C
Altitude	2000 meter
Allow relative humidity	0~95%, no condensation

► Diagram



► Features

- 1.The PV combiner box is suitable for photovoltaic grid-connected and off-grid power generation systems.
- 2.It is configured with photovoltaic dedicated high-voltage lightning arrester, DC fuse and circuit breaker to provide short circuit fault protection and lightning protection.
- 3.It has protect function of over-voltage and over-current so as to avoid damage to photovoltaic panels and inverters when the fault occurs.
- 4.It's also used to reduce the connection of the photovoltaic array to the inverter,optimize the system structure, improve the reliability and maintainability of the system, make the photovoltaic system at its best.
- 5.IP65 design, waterproof, anti dust and anti ultraviolet.
- 6.Strict test for high and low temperature, used widely.
- 7.The simple installation,the simplified system wiring, the convenient wiring

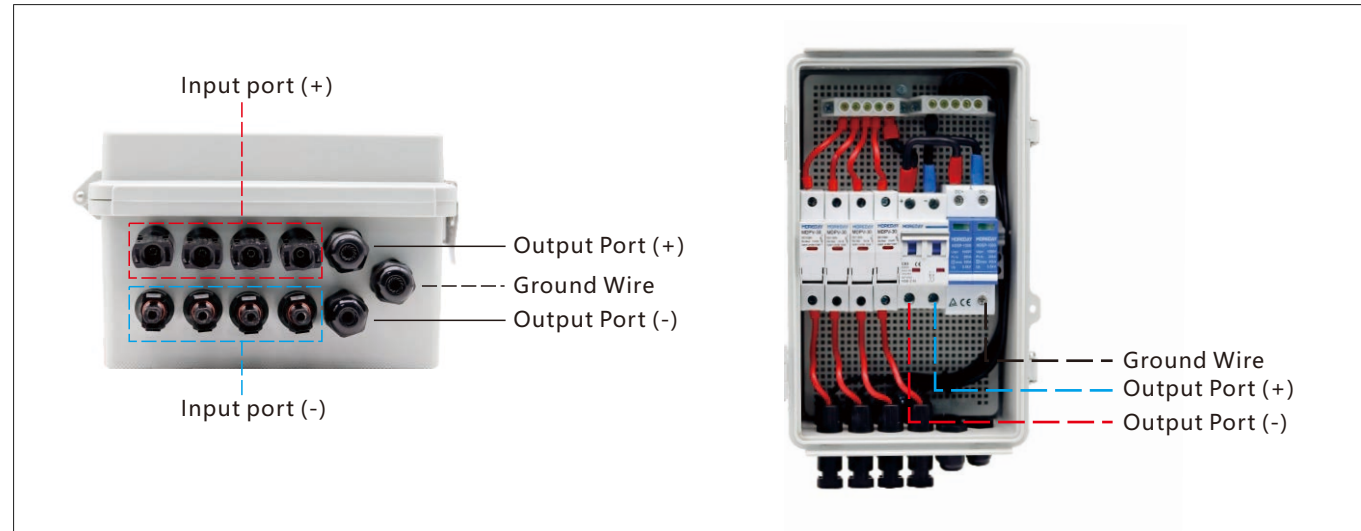


► Technical Specification

DC string box	
Product Name	DC combiner box
Model Code	MDJB-PV4/1
Rated Voltage	500V~600V
Operation	10A
Input	4strings
output	1string
Temperature range	-25°C~+60°C
Enclosure	
IP Protection Class (IEC60529)	IP65
Materials	Polycarbonate / ABS
Spec	UV resistance and Flame retardant
DC Circuit Breaker	
Rated Voltage	500V~600V
Rated Current	63A
DC SPD	
Max Operating Voltage	1000V
Max Discharge Current	40KA
Nominal discharge current	20KA
DC Fuse	
Rated Voltage	1000V
Fuse link	15A 10*38mm ²
Finger safe touch	YES



► Insatallation



► Instruction

1. Box Input: Connect the panel connectors (module output and combiner input), make sure the negative wire of module output connected to the blue area (as the picture instructed); the positive wire of module output connected to the red area (as the picture instructed).
2. Box Output: Connect PV wires to the output terminals of DC circuit breaker (both "+" and "-"; as the picture instructed), connect the ground wire to the ground terminal of DC arrester. All the output wires separately pass through the cable glands, make sure all the cable glands properly tightened.

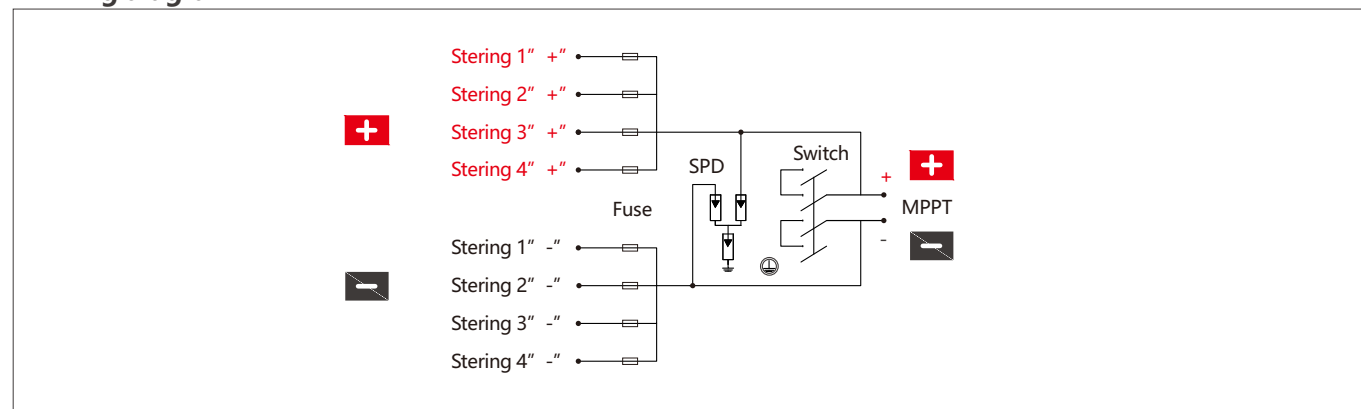
Notice:

1. All connections must be carried out under the state of power failure.
2. Let the professional electrical engineer carry on connecting line.
3. The flammable and explosive are forbidden in the installing concourse.

► Warranty & Service

Standard Combiner Boxes come with 3 year warranty, except on the consumables such as fuses. If you have any question, just feel free to contact me.

► Wiring diagram



► Features

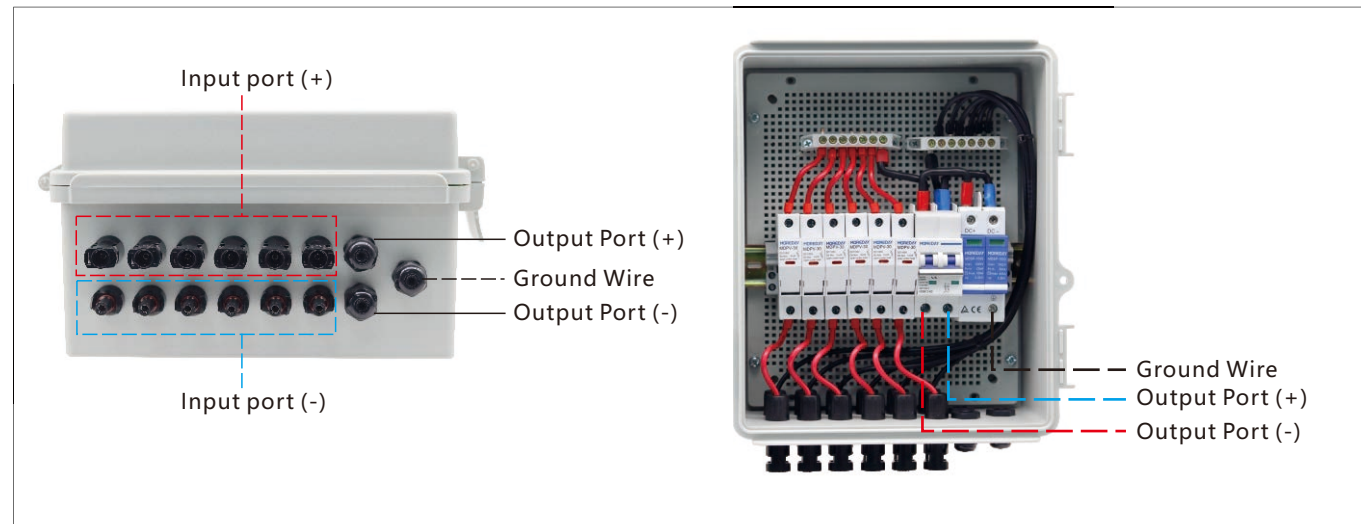
1. The PV combiner box is suitable for photovoltaic grid-connected and off-grid power generation systems.
2. It is configured with photovoltaic dedicated high-voltage lightning arrester, DC fuse and circuit breaker to provide short circuit fault protection and lightning protection.
3. It has protect function of over-voltage and over-current so as to avoid damage to photovoltaic panels and inverters when the fault occurs.
4. It's also used to reduce the connection of the photovoltaic array to the inverter, optimize the system structure, improve the reliability and maintainability of the system, make the photovoltaic system at its best.
5. IP65 design, waterproof, anti dust and anti ultraviolet.
6. Strict test for high and low temperature, used widely.
7. The simple installation, the simplified system wiring, the convenient wiring

► Technical Specification

DC string box	
Product Name	DC combiner box
Model Code	MDJB-PV6/1
Rated Voltage	500V~600V
Operation	10A
Input	6strings
output	1string
Temperature range	-25°C~+60°C
Enclosure	
IP Protection Class (IEC60529)	IP65
Materials	Polycarbonate / ABS
Spec	UV resistance and Flame retardant
DC Circuit Breaker	
Rated Voltage	500V~600V
Rated Current	63A
DC SPD	
Max Operating Voltage	1000V
Max Discharge Current	40KA
Nominal discharge current	20KA
DC Fuse	
Rated Voltage	1000V
Fuse link	15A 10*38mm ²
Finger safe touch	YES



► Insatallation



► Instruction

1. Box Input: Connect the panel connectors (module output and combiner input), make sure the negative wire of module output connected to the blue area (as the picture instructed); the positive wire of module output connected to the red area (as the picture instructed).
2. Box Output: Connect PV wires to the output terminals of DC circuit breaker (both "+" and "-"; as the picture instructed), connect the ground wire to the ground terminal of DC arrester. All the output wires separately pass through the cable glands, make sure all the cable glands properly tightened.

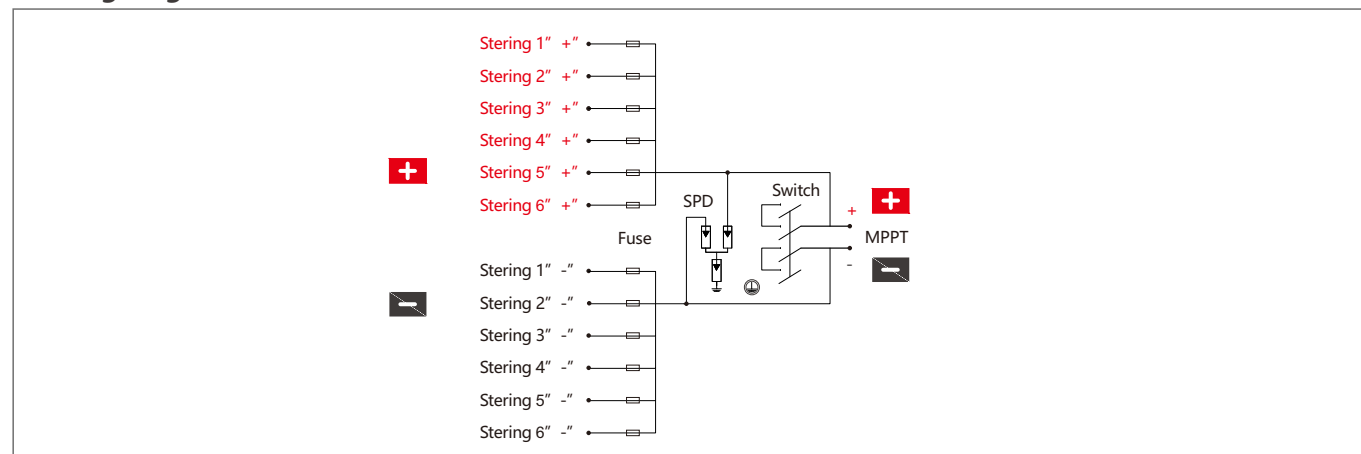
Notice:

1. All connections must be carried out under the state of power failure.
2. Let the professional electrical engineer carry on connecting line.
3. The flammable and explosive are forbidden in the installing concourse.

► Warranty & Service

Standard Combiner Boxes come with 3 year warranty, except on the consumables such as fuses. If you have any question, just feel free tocontact me.

► Wiring diagram



► Overview

Dc circuit breaker limited current performance, can accurately protect relay protection, automatic device from overload, short circuit and other faults. Advantages of current limiting and arc extinguishing capabilities of dc circuit breakers.

► Technical Specification

		MDB1Z-63			
Pole		1P	2P	3P	4P
Rated Working Voltage Ue		250V DC	600V DC	800V DC	1000V DC
Frame Current		63A			
Rated Current In		63A, 50A, 40A, 32A, 25A, 20A,16A,10A			
Rated Insulation Voltage Ui		1000V			
Rated Impulse Withstand Voltage Uimp		6kV			
Tripping Characteristics		B/C			
Tripping Type		Thermal Magnetic			
Rated Ultimate Short-Circuit Breaking Capacity Icu		6kA			
Rated Service Short-Circuit Interrupting Capacity Ics		6kA			
Electrical Life	Actual	> 1500 Cycles			
	Standard	300 Cycles			
Mechanical Life	Actual	>10000 Cycles			
	Standard	9700 Cycles			
Overvoltage Category		III			
Pollution Degree		3			
Ingress Protection		IP40; Wiring port IP20			
Resistance to humidity and heat		Class 2			
Relative Humidity		≤ 95 %			
Vibration		acc. to IEC60068-2-6			
Shocks		acc. to IEC60068-2-27			
Terminal capacity		2.5~35mm?			
Fastening Torque of Terminals		2.0 ~ 3.5 Nm			
Ambient Temperature		-30°C~70°C			
Storage Temperature		-40°C~85°C			
Installation Method		DIN			
Elevation		≤2000m			
Dimension		Width:72mm			
		High: 87.5mm			
Weight		Depth: 81mm			
		0.12kg/Pole			



MDB1Z-63



MDB1Z-100

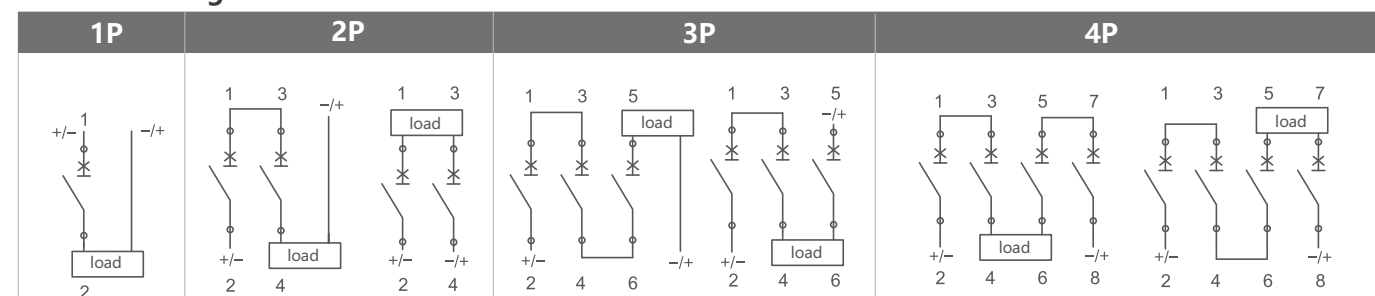


► **Technical Specification**

MDB1Z-100

Pole	2P	4P
Rated Working Voltage U_e	600V DC	1000V DC
Frame Current	100A	
Rated Current I_n	63A, 80A, 100A	
Rated Insulation Voltage U_i	1000V	
Rated Impulse Withstand Voltage U_{imp}	6kV	
Tripping Characteristics	B/C	
Tripping Type	Thermal Magnetic	
Rated Ultimate Short-Circuit Breaking Capacity I_{cu}	15kA($I_n \leq 100A$)	
Rated Service Short-Circuit Interrupting Capacity I_{cs}	10kA($I_n \leq 100A$)	
Electrical Life	Actual	> 1500 Cycles
	Standard	300 Cycles
Mechanical Life	Actual	> 10000 Cycles
	Standard	9700 Cycles
Overvoltage Category	III	
Pollution Degree	3	
Ingress Protection	IP40; Wiring port IP20	
Resistance to humidity and heat	Class 2	
Relative Humidity	$\leq 95\%$	
Vibration	acc. to IEC60068-2-6	
Shocks	acc. to IEC60068-2-27	
Terminal capacity	2.5~35mm ²	
Fastening Torque of Terminals	2.0 ~ 3.5 Nm	
Ambient Temperature	-30°C ~ 70°C	
Storage Temperature	-40°C ~ 85°C	
Installation Method	DIN	
Elevation	$\leq 2000m$	
Dimension	Width: 72mm	
	High: 87.5mm	
	Depth: 81mm	
Weight	0.12kg/Pole	

► **Contact Configuration**



► **Standard time-current band**

Test	Instantaneous release type	DC test current	Starting state	Tripping or non-tripping time limit	Expected results	Remarks
	B, C	1.13I _n	Cold state	$t \geq 1h(I_n \leq 63A)$	No tripping	/
b	B, C	1.45I _n	Followed by a test	$t < 1h(I_n \leq 63A)$	Tripping	The current rises steadily within 5S
c	B, C	2.55I _n	Cold state	$1s < t < 60s(I_n \leq 63A)$ $1s < t < 60s(I_n \leq 63A)$	Tripping	/
d	B, C	4I _n	Cold state	$0.1s < t < 45s(I_n \leq 32A)$ $0.1s < t < 90s(I_n \leq 32A)$	Tripping	Close the auxiliary switch to turn on the power
		7I _n		$0.1s < t < 15s(I_n \leq 32A)$ $0.1s < t < 30s(I_n \leq 32A)$		
e	B, C	7I _n	Cold state	$t < 0.1s$	Tripping	
		15I _n				

► **Dimensions(unit:mm)**

