



BC-60A



BC-60B

### Applications

For Machinery and equipment internal response.

### Main features

- system is collinear structure, different network hosts and three-core extension parallel lines in general, share a mutual power transmission voice signal.
- answering device comes with voice circuit without an external audio input, call distance 3-10 km.
- press button response, and with light, simple operation, easy to use.
- Operator input power supply is AC220V, extension no need external power supply.

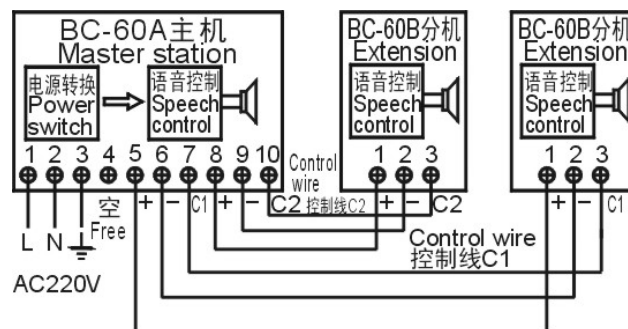
### Specifications

Operating voltage	AC220V/DC24V	power	1W
Transmission	output three wire transmission		
Operating temperature	-30°C ~ +70°C	material	Cold roll sheet
Relative humidity	10% ~ 95% (no condensing )	Weight	BC-60A: 1.4kg / BC-60B: 0.8kg

### Installation and operation

- Check the power supply voltage whether is the same with the siren.
- Use 4 M8 screws to fasten to the mounting surface, the mounting surface should level-off and have enough mechanical strength.
- wiring according to diagram, correct connection host and the extension signal line.
- power on, BC-60A red indicator lighting.
- Turn on the power switch, power indicator lighting.
- When someone needs getting on the car, simply press the BC-60B extension request button, the extension request red light on, BC-60A green light on, while speaker, "Ding Dong .... request getting on the car," voice.
- If driver agree getting on the car,, simply press the BC-60A on the consent of the host vehicle button, BC-60B extension will be issued within speaker, "Didi .... agreed getting on the car," voice, while extension Green lights on.
- Please use the above method correct install this product.

### Wiring diagram

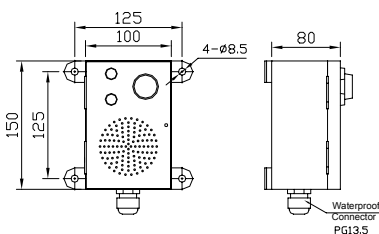
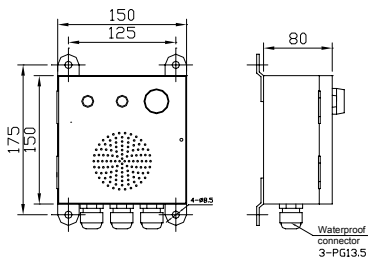


Note: The control line C1 and C2 can not be associated, or answering device will not work properly.

### Notes

BC-60 response device performance and stability, but if wiring not properly, the device will not work correctly, so read the instructions carefully before wiring, or refer to wiring diagram, if not sure, please contact the factory.

### Mounting dimension ( mm )



### Application

