

Cable split core current transformer, type KBU, class 0,5 and 1

Features / benefits

- Ideal for retrospective installation in existing systems
- Simple and secure attachment - current transformer audibly latches
- Available with secondary current 5 A / 1 A
- Also available in accuracy class 0.5
- Four different configurations
- Working temperature range: $-5^{\circ}\text{C} < T < +50^{\circ}\text{C}$
- Storage temperature range $-25^{\circ}\text{C} < T < +70^{\circ}\text{C}$
- Therm. nominal continuous current I_{cth} : $1,0 \times I_N$
- Therm. nominal short-time current I_{th} : $60 \times I_N$, 1 sec.
- Max. supply voltage U_m : 0,72 kV
- Insulation test voltage: 3 kV, U_{eff} 50 Hz, 1 min.
- Nominal frequency: 50 Hz
- Insulation class: E
- Applied technical standards: DIN EN 61869, part 1 + 2



Technical data

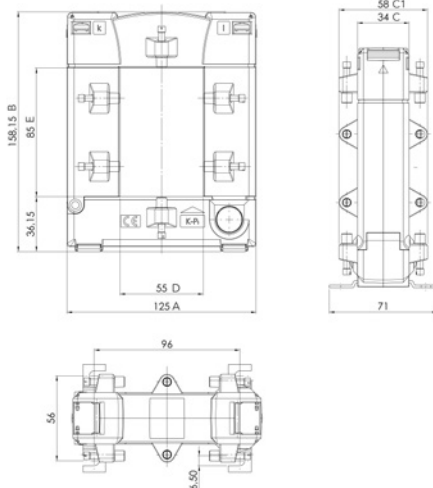
Cable split core current transformer, type KBU											
Type	Primary current in A	Secondary current in A	Power in VA	Class	Dimensions in mm					Weight (kg)	Item no.
					A	B	C / C1	D	E		
KBU 58	250	5	1.5	1	125	158	34 / 58	55	85	0.9	15.02.316
KBU 58	400	5	1	0.5	125	158	34 / 58	55	85	0.9	15.02.868
KBU 58	500	5	2.5	0.5	125	158	34 / 58	55	85	0.9	15.02.819
KBU 58	600	5	2.5	0.5	125	158	34 / 58	55	85	1.0	15.02.315
KBU 58	1000	5	5	0.5	125	158	34 / 58	55	85	1.0	15.02.320
KBU 812	600	5	2.5	0.5	155	198	34 / 58	85	125	1.3	15.02.869
KBU 812	800	5	2.5	0.5	155	198	34 / 58	85	125	1.3	15.02.870
KBU 812	1000	5	5	0.5	155	198	34 / 58	85	125	1.3	15.02.871
KBU 812	1250	5	7,5	0.5	155	198	34 / 58	85	125	1.3	15.02.328



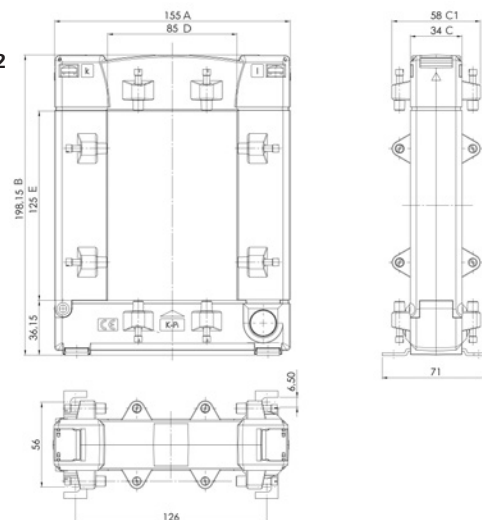
Dimension diagrams

All dimensions in mm

KBU 58



KBU 812



Basic Information for the use of current transformer can be found in chapter 10.