

Smart Fan / พัดลม
ระบายอากาศอัจฉริยะ
ออกแบบสวยงาม สำหรับ
Smart Home

ตัวแทนจำหน่าย : Distributor :

442/2 Chan Road, Thungwatdon Sathon Bangkok Thailand 10120

Email : info@7-mars.com / www.7-mars.com / Tel + (66) 02 114 7145 - 9 Auto. 5Line



PROFESSIONAL VENTILATION FAN AND FRESH AIR SYSTEM MANUFACTURER

COMPANY BRIEF INTRODUCTION

Shenzhen Hongguan Mechatronics Co., Ltd. (hereafter short for "HG") is specialized in design and manufacture of Ventilation Fans and Fresh Air System. HG was established in year 2010, its headquarter is located in Longhua District, Shenzhen, China and the manufacturing base is located in Hongguan Industrial Park, Tangxia Town, Dongguan, China, with a 25,000 square meters plant area.

Since establishment, HG has continuously innovated and developed new product lines, after years of innovation and efforts, HG has won many invention patents, appearance patents and utility model patents of its own products. In year 2016 HG was awarded as High-Tech Enterprise by Chinese Government. Its main products all comply with CCC, CE, SAA, UL, ETL certificates.

HG always adheres to the concept of "quality first, quality for all employees", and constantly improves product quality, therefore HG has won the trust and praise of many users from all over the world. HG will keep providing professional, personalized and comprehensive services for each customer.



DUCT FANS

Enjoy a Fresh Life



Hon & Guan Duct Fan

Energy Saving Big Air Volume



AC MOTOR EXHAUST FAN



HDD-P SERIES

Silent Mixed-flow Inline Duct Fan

HDD-100P/125P/150P/200P

Product Features

- ◆ Environmental protection material.
- ◆ Fashion design and light weight.
- ◆ Quiet operation.
- ◆ Big air volume .
- ◆ Double NMB ball bearings, long working life - over 50000 hours .
- ◆ Non-return valve inside.
- ◆ Easy installation and maintenance.
- ◆ Protection grade: IP44.
- ◆ Operation temperature range: -20°C-60°C.

Optional Functions :

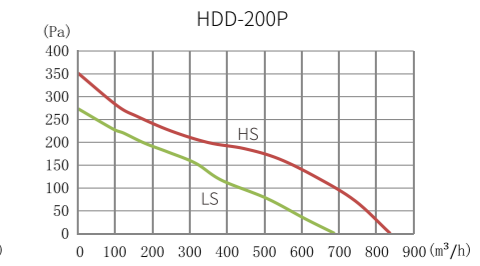
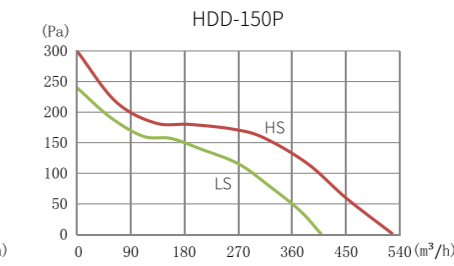
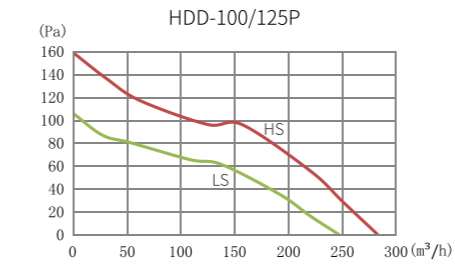
- ✘ Three-speed motor (high, middle, low)
- ✘ Timer
- ✘ Temperature, humidity sensor

Performance Parameter

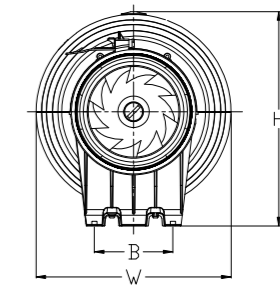
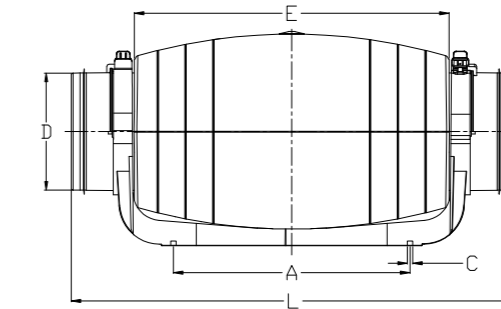
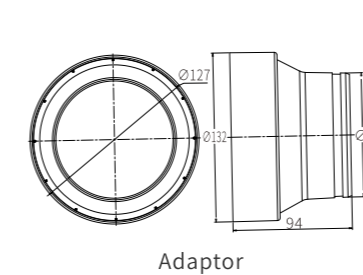
Model No.	Speed	Voltage /Frequency (V/Hz)	Current (Amps)	Power (W)	Speed (RPM)	Airflow (m³/h)	Air Pressure (Pa)	Noise (dB)	Net Weight (kgs)
HDD-100/125P	H	220~240/50	0.14	33	2250	284	159	25	2.8
	L		0.13	28	1850	248	106	22	
HDD-150P	H	220~240/50	0.35	38	2250	284	159	25	4.0
	L		0.31	32	1850	248	106	22	
HDD-200P	H	220~240/50	0.25	50	2550	530	300	31	5.9
	L		0.20	43	1850	410	240	26	
HDD-200P	H	100~120/60	0.55	62	2550	530	300	31	5.9
	L		0.45	49	1850	410	240	26	
HDD-200P	H	220~240/50	0.57	128	2450	840	352	35	5.9
	L		0.52	123	1950	690	274	29	
HDD-200P	H	100~120/60	1.60	160	2450	840	352	35	5.9
	L		1.30	135	1950	690	274	29	



Performance Curves



Dimensions(mm)



MODEL	A	B	C	ΦD	E	L	W	H
HDD-100/125P	248	82	4-Φ5.5	97/123	330	580/462	205	225
HDD-150P	251	95	4-Φ5.3	149/158	352	488	221	244
HDD-200P	339	128	4-Φ5.6	198	436	567	262	301

HF-P SERIES Mixed-flow Inline Duct Fan

HF-100P/125P/150P/200P/250P/315P

Product Features

- ◆ PP material, anti-acid and alkali.
- ◆ Big airflow and air pressure.
- ◆ Double NMB ball bearings, long working life - over 50000 hours.
- ◆ Easy installation.
- ◆ Protection grade: IP44.
- ◆ Operation temperature range: -20°C-60°C.
- ◆ Perfect for office, meeting room, public place, hotel, apartment, hospital, ktv, etc.

Optional Functions :

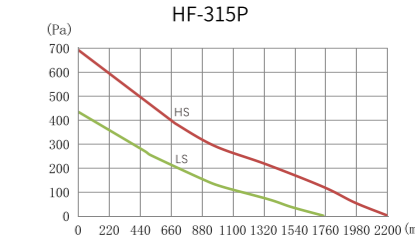
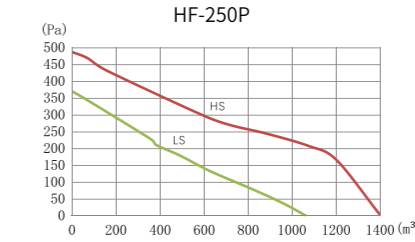
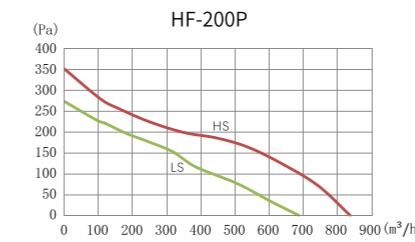
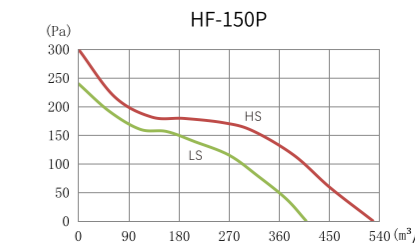
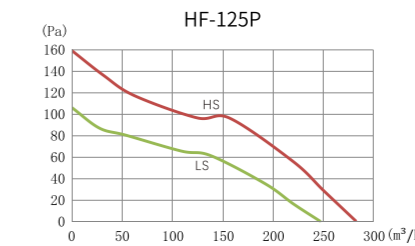
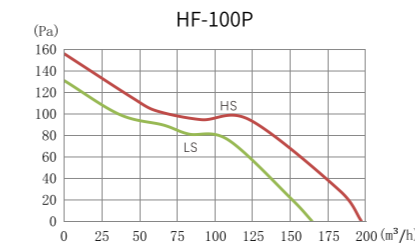
- ✍ Three-speed motor (high, middle, low)
- ✍ Timer
- ✍ Temperature, humidity sensor

Performance Parameter

Model No.	Speed	Voltage /Frequency (V/Hz)	Current (Amps)	Power (W)	Speed (RPM)	Airflow (m³/h)	Air Pressure (Pa)	Noise (dB)	Net Weight (kgs)
HF-100P	H	220~240/50	0.12	26	2200	198	156	31	1.5
	L		0.11	23	1850	165	131	26	
HF-125P	H	220~240/50	0.31	35	2200	198	156	31	1.5
	L		0.28	30	1850	165	131	26	
HF-150P	H	220~240/50	0.14	33	2250	284	159	32	2.6
	L		0.13	28	1850	248	106	26	
HF-200P	H	220~240/50	0.35	38	2250	284	159	32	4.9
	L		0.31	32	1850	248	106	26	
HF-250P	H	220~240/50	0.22	54	2550	530	300	33	7.5
	L		0.19	44	1850	410	240	29	
HF-315P	H	220~240/50	0.53	128	2450	840	352	63	11.0
	L		0.52	123	1950	690	274	55	

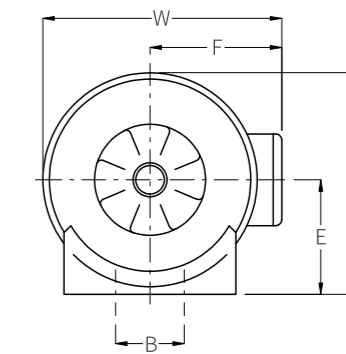
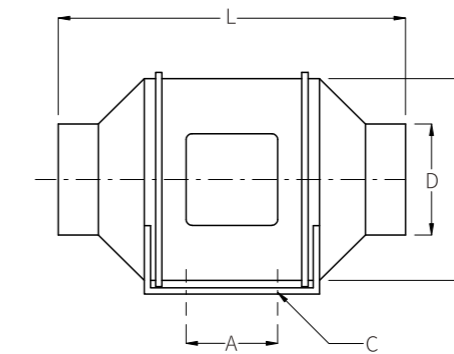


Performance Curves



HS:High speed
LS:Low speed

Dimensions(mm)



MODEL	A	B	C	ΦD	E	F	ΦG	L	W	H
HF-100P	80	60	4-Φ4.5	97	99	116	163	302	204	195
HF-125P	80	60	4-Φ4.5	123	99	116	163	257	204	195
HF-150P	80	60	4-Φ5.0	147	109	127	187	313	227	208
HF-200P	100	94	4-Φ5.5	197	125	137	205	302	249	237
HF-250P	150	150	4-Φ8*11	247	150	174	261	383	310	286
HF-315P	181	178	4-Φ8*11	312	187	216	325	446	386	357

GF-P SERIES Mixed-flow Inline Duct Fan

GF-100P/125P/150P/200P

Product Features

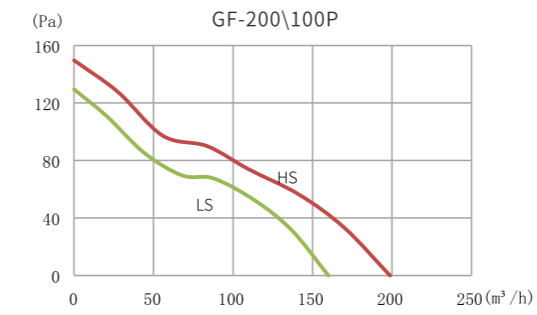
- ◆ ABS material, small volume, light weight.
- ◆ Beautiful lines.
- ◆ Big airflow and air pressure.
- ◆ Easy installation and maintenance .
- ◆ Protection grade: IP44.
- ◆ Operation temperature range: -20°C-60°C.

Performance Parameter

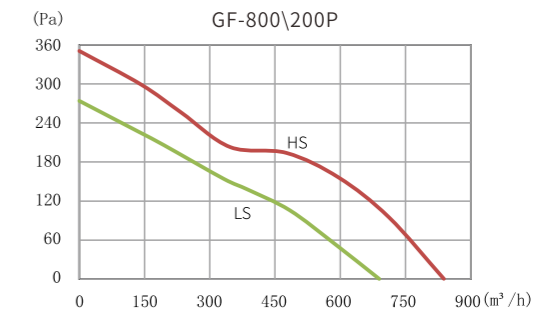
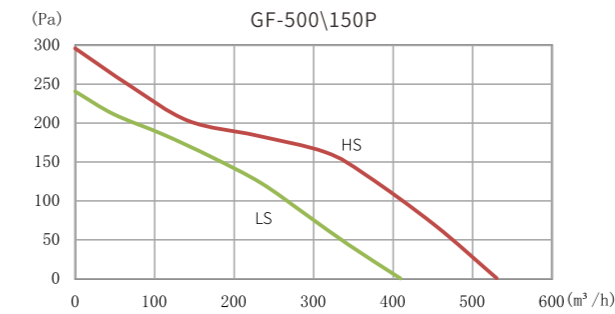
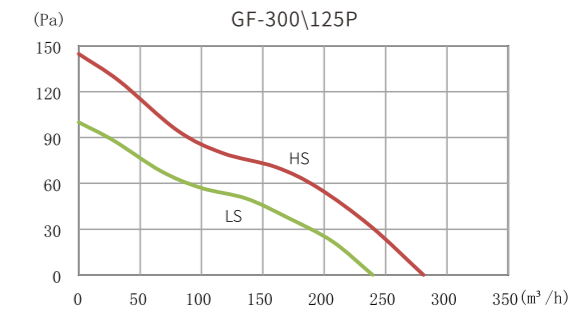
Model No.	Speed	Voltage /Frequency (V/Hz)	Current (Amps)	Power (W)	Speed (RPM)	Airflow (m ³ /h)	Air Pressure (Pa)	Noise (dB)	Net Weight (kgs)
GF-200\100P	H	220~240/50	0.12	26	2200	198	156	31	1.4
	L		0.11	23	1850	165	131	26	
GF-300\125P	H	220~240/50	0.24	30	2200	198	156	31	1.4
	L		0.22	28	1850	165	131	26	
GF-500\150P	H	220~240/50	0.14	33	2250	284	159	32	1.9
	L		0.13	28	1850	248	106	26	
GF-800\200P	H	220~240/50	0.30	32	2250	284	159	32	2.7
	L		0.26	27	1850	248	106	26	
GF-500\150P	H	220~240/50	0.22	54	2550	530	300	33	1.9
	L		0.19	44	1850	410	240	29	
GF-800\200P	H	220~240/50	0.53	128	2450	840	352	63	2.7
	L		0.52	123	1950	690	274	55	
GF-800\200P	H	220~240/50	1.47	162	2450	840	352	63	2.7
	L		1.27	146	1950	690	274	55	



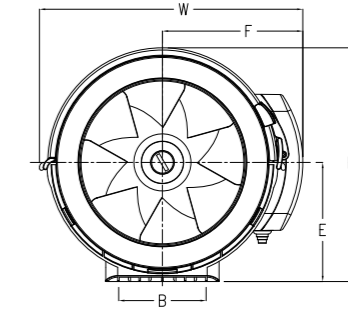
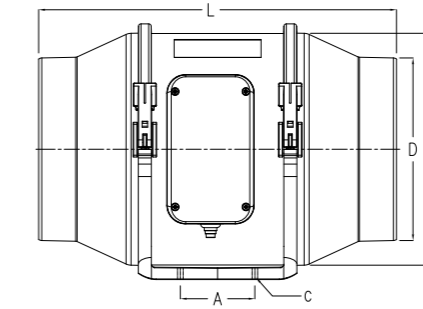
Performance Curves



HS:High speed
LS:Low speed



Dimensions(mm)



MODEL	A	B	C	ΦD	E	F	ΦG	L	W	H
GF-200\100P	60	59	4-Φ4.5	97	99	112	162	302	208	188
GF-300\125P	60	59	4-Φ4.5	123	99	112	162	256	208	188
GF-500\150P	60	77	4-Φ4.5	147	105	123	186	288	232	206
GF-800\200P	60	110	4-Φ4.5	198	115	133	207	302	252	226

HF-S SERIES

Mixed-flow Inline Duct Fan

HF-75S/100S/125S

Product Features

- ◆ ABS material, small volume, light weight.
- ◆ Easy installation and maintenance.
- ◆ Protection grade: IP44.
- ◆ Operation temperature range: -20°C-60°C.
- ◆ Optional Function: timer

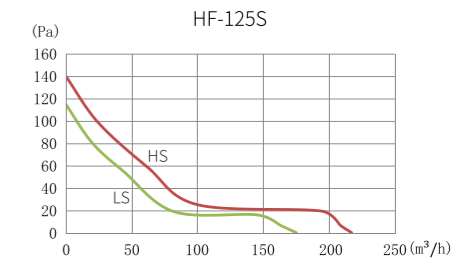
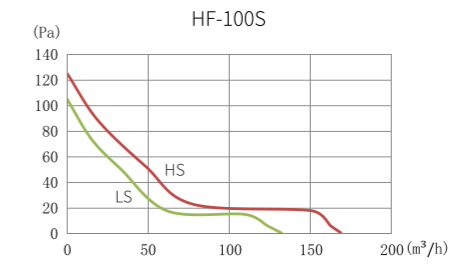
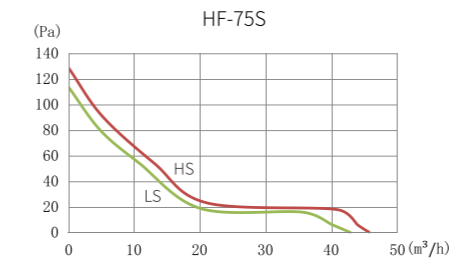
Performance Parameter

Model No.	Speed	Voltage /Frequency (V/Hz)	Current (Amps)	Power (W)	Speed (RPM)	Airflow (m³/h)	Air Pressure (Pa)	Noise (dB)	Net Weight (kgs)
HF-75S	H	220~240/50	0.27	30	2750	46	129	26	1.4
	L		0.12	16	2550	43	114	21	
HF-100S	H	220~240/50	0.50	29	2750	46	129	26	1.3
	L		0.42	25	2550	43	114	21	
HF-100S	H	220~240/50	0.26	35	2600	170	125	31	1.3
	L		0.15	20	2100	133	105	26	
HF-125S	H	220~240/50	0.28	35	2600	218	140	31	1.3
	L		0.17	20	2100	181	115	26	
HF-125S	H	220~240/50	0.58	40	2600	218	140	31	1.3
	L		0.47	31	2100	181	115	26	

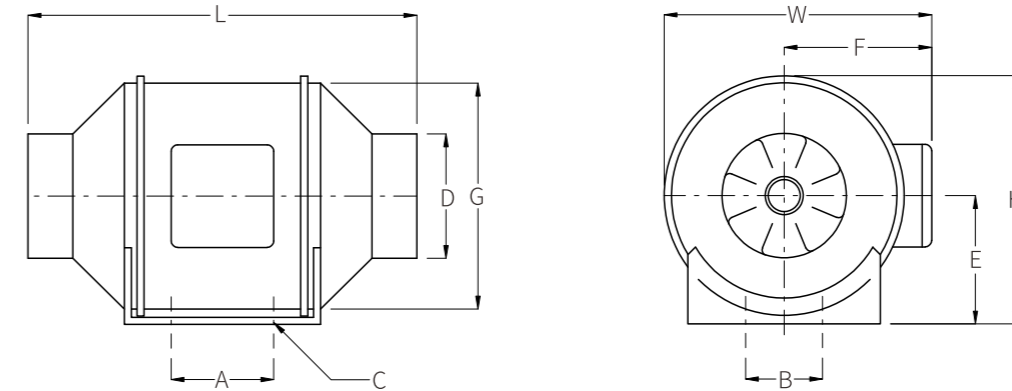


Performance Curves

HS:High speed
LS:Low speed



Dimensions(mm)



MODEL	A	B	C	ΦD	E	F	ΦG	L	W	H
HF-75S	45	78	4-Φ4.5	73	90	102	140	291	188	160
HF-100S	45	78	4-Φ4.5	97	90	102	140	246	188	160
HF-125S	45	78	4-Φ4.5	124	90	102	140	194	188	160

PM(W)ZI SERIES

Wireless Control - Smart Inline Duct Fan

HF-100/125/200/250/315PMZI HF-150PWPI
HDD-100/125/200PMZI HDD-150PWZI

Product Features

- ◆ Auto/manual mode.
- ◆ Temperature and Humidity Detection: by sensing the environmental temperature and humidity changes, fan will automatically switch on/off, which offers a more comfortable environment.
- ◆ Air Quality Detection: be able to detect over 30 kinds of gases such as toluene, xylene and other benzene series, HF, HCl, volatile organic compounds, TVOC, etc.
- ◆ Safety and Reliability: once the indoor air turns worse, the fan will automatically turn on to improve air quality.



Performance Parameter

Model No.	Speed	Voltage /Frequency (V/Hz)	Current (Amps)	Power (W)	Speed (RPM)	Airflow (m³/h)	Air Pressure (Pa)	Noise (dB)	Net Weight (kgs)
HF-100PMZI	H	220~240/50	0.16	35	2600	240	192	35	1.5
	M		0.12	26	2200	198	156	31	
	L		0.11	23	1850	165	131	26	
HF-125PMZI	H	220~240/50	0.16	36	2600	310	177	35	1.5
	M		0.14	33	2250	284	159	31	
	L		0.13	28	1850	248	106	26	
HF-150PWPI	H	220~240/50	0.22	54	2550	530	300	33	2.6
	M		0.20	48	2150	470	270	31	
	L		0.19	44	1850	410	240	29	
HF-200PMZI	H	220~240/50	0.54	128	2450	840	352	63	4.9
	M		0.52	125	2200	765	313	59	
	L		0.49	123	1950	690	274	55	
HF-250PMZI	H	220~240/50	1.20	225	2450	1405	488	66	7.5
	M		0.97	195	2150	1235	430	62	
	L		0.75	165	1850	1064	371	58	
HF-315PMZI	H	220~240/50	1.90	390	2350	2206	693	69	11.0
	M		1.70	333	2000	1950	564	65	
	L		1.40	275	1650	1750	435	61	
HDD-100/125PMZI	H	220~240/50	0.16	37	2600	310	177	29	2.8
	M		0.14	33	2250	284	159	25	
	L		0.13	28	1850	248	106	22	
HDD-150PWZI	H	220~240/50	0.25	50	2550	530	300	31	4.0
	M		0.22	46	2200	470	270	29	
	L		0.20	43	1850	410	240	26	
HDD-200PMZI	H	220~240/50	0.57	128	2450	840	352	35	5.9
	M		0.54	125	2200	765	313	32	
	L		0.52	123	1950	690	274	29	



PZZE SERIES

Wireless Remote Duct Fan

HF-100/125/150/200/250/315PZZE
HDD-100/125/150/200PZZE

Product Features

- ◆ Wireless Remote: brings life more convenience.
- ◆ Touch Screen and Smart Chip: faster and easier operation brings us an elegant living environment.
- ◆ Two Speed Regulation: high and low.
- ◆ Easy Installation: applicable on wall, table, glass and other flat spaces.



Performance Parameter

Model No.	Speed	Voltage /Frequency (V/Hz)	Current (Amps)	Power (W)	Speed (RPM)	Airflow (m³/h)	Air Pressure (Pa)	Noise (dB)	Net Weight (kgs)
HF-100PZZE	H	220~240/50	0.12	26	2200	198	156	31	1.5
	L		0.11	23	1850	165	131	26	
HF-125PZZE	H	220~240/50	0.14	33	2250	284	159	32	1.5
	L		0.13	28	1850	248	106	26	
HF-150PZZE	H	220~240/50	0.22	54	2550	530	300	33	2.6
	L		0.19	44	1850	410	240	29	
HF-200PZZE	H	220~240/50	0.53	128	2450	840	352	63	4.9
	L		0.52	123	1950	690	274	55	
HF-250PZZE	H	220~240/50	1.20	225	2450	1405	488	66	7.5
	L		0.75	165	1850	1064	371	58	
HF-315PZZE	H	220~240/50	1.90	390	2350	2206	693	69	11
	L		1.40	275	1650	1750	435	61	
HDD-100/125PZZE	H	220~240/50	0.14	33	2250	284	159	25	2.8
	L		0.13	28	1850	248	106	22	
HDD-150PZZE	H	220~240/50	0.25	50	2550	530	300	31	4.0
	L		0.20	43	1850	410	240	26	
HDD-200PZZE	H	220~240/50	0.57	128	2450	840	352	35	5.9
	L		0.52	123	1950	690	274	29	





PM(W)ZC SERIES Wired Control - Smart Inline Duct Fan

HF-100/125/200/250/315PMZC HF-150PWPC HDD-100/125/200/PMZC HDD-150PWZC

Product Features

- ◆ High Performance: temperature control accuracy: $\pm 1^{\circ}\text{C}$, self-consumption < 1W, relay switch more than 100,000 times.
- ◆ Smart Detection: detecting real-time temperature of environment.
- ◆ Timing Start: timing function is very user-friendly.
- ◆ Speed Control: low, medium, high speed freely control.

Product Introduction

The product is a smart wired control fan which is designed with three-speed control, temperature detection, timing function and timer setting function. Application: indoor air exhaust, air exchange, dehumidification, fresh air system, etc.

Performance Parameter

Model No.	Speed	Voltage /Frequency (V/Hz)	Current (Amps)	Power (W)	Speed (RPM)	Airflow (m ³ /h)	Air Pressure (Pa)	Noise (dB)	Net Weight (kgs)
HF-100PMZC	H	220~240/50	0.16	35	2600	240	192	35	1.5
	M		0.12	26	2200	198	156	31	
	L		0.11	23	1850	165	131	26	
HF-125PMZC	H	220~240/50	0.16	36	2600	310	177	35	1.5
	M		0.14	33	2250	284	159	31	
	L		0.13	28	1850	248	106	26	
HF-150PWPC	H	220~240/50	0.22	54	2550	530	300	33	2.6
	M		0.20	48	2150	470	270	31	
	L		0.19	44	1850	410	240	29	
HF-200PMZC	H	220~240/50	0.54	128	2450	840	352	63	4.9
	M		0.52	125	2200	765	313	59	
	L		0.49	123	1950	690	274	55	
HF-250PMZC	H	220~240/50	1.20	225	2450	1405	488	66	7.5
	M		0.97	195	2150	1235	430	62	
	L		0.75	165	1850	1064	371	58	
HF-315PMZC	H	220~240/50	1.90	390	2350	2206	693	69	11
	M		1.70	333	2000	1950	564	65	
	L		1.40	275	1650	1750	435	61	
HDD-100/125PMZC	H	220~240/50	0.16	37	2600	310	177	29	2.8
	M		0.14	33	2250	284	159	25	
	L		0.13	28	1850	248	106	22	
HDD-150PWZC	H	220~240/50	0.25	50	2550	530	300	31	4.0
	M		0.22	46	2200	470	270	29	
	L		0.20	43	1850	410	240	26	
HDD-200PMZC	H	220~240/50	0.57	128	2450	840	352	35	5.9
	M		0.54	125	2200	765	313	32	
	L		0.52	123	1950	690	274	29	

HGA SERIES

Axial Exhaust Fan

HGA-100A/100B/100C
HGA-150A/150B/150C/150D

Product Features

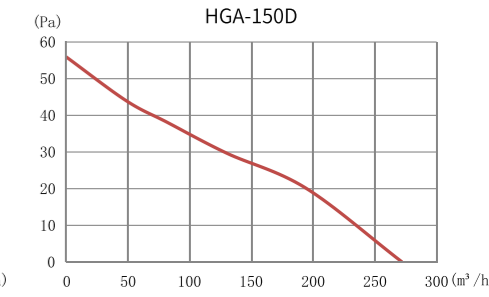
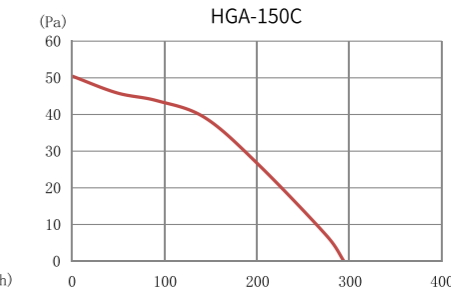
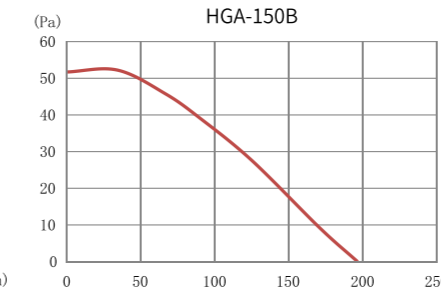
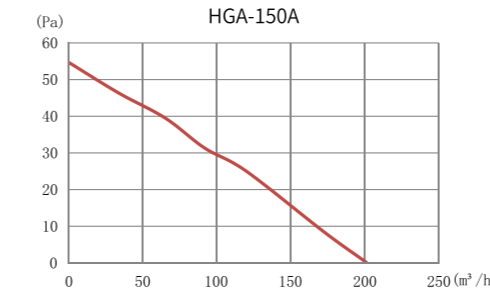
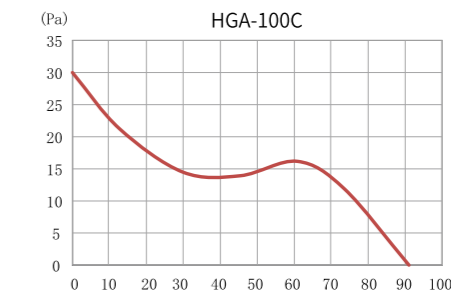
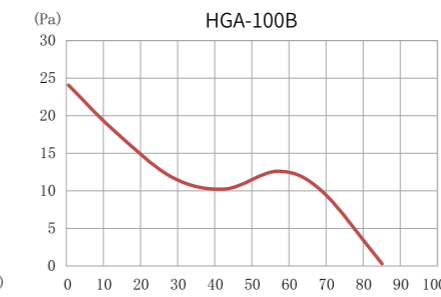
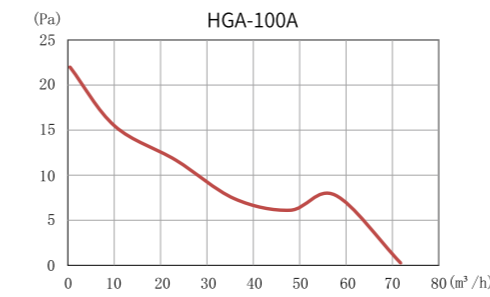
- ◆ Designed with fashionable ultra-thin front panel or grille.
- ◆ Low-watt motor, continuous operation, no maintenance is needed.
- ◆ Overheating protection.
- ◆ Long working life.
- ◆ Fan frame and blade are made of high quality durable ABS, UV resistant.
- ◆ Both wall/window mounted and ceiling mounted.
- ◆ Optional Function: timer

Performance Parameter

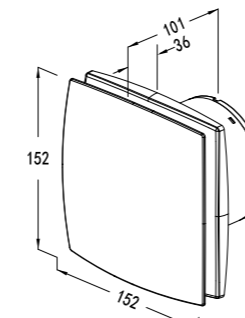
Model No.	Voltage /Frequency (V/Hz)	Current (Amps)	Power (W)	Speed (RPM)	Airflow (m ³ /h)	Air Pressure (Pa)	Net Weight (kgs)
HGA-100A	220~240/50	0.07	12	2300	72	20	0.6
HGA-100B	220~240/50	0.08	15	2300	85	25	0.6
HGA-100C	220~240/50	0.07	12	2300	91	30	0.5
HGA-150A	220~240/50	0.17	22	2350	201	55	1.0
	100~120/60	0.40	25	2350	201	55	
HGA-150B	220~240/50	0.19	28	2350	197	52	1.1
	100~120/60	0.44	31	2350	197	52	
HGA-150C	220~240/50	0.17	22	2350	295	51	1.0
	100~120/60	0.40	25	2350	295	51	
HGA-150D	220~240/50	0.17	22	2350	272	56	0.9
	100~120/60	0.40	25	2350	272	56	



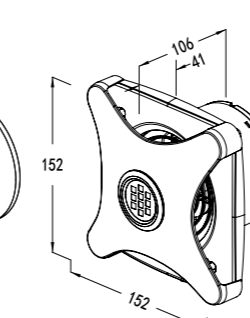
Performance Curves



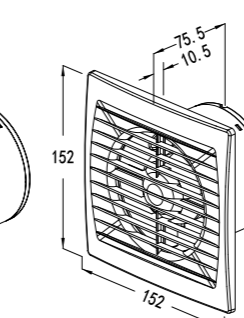
Dimensions(mm)



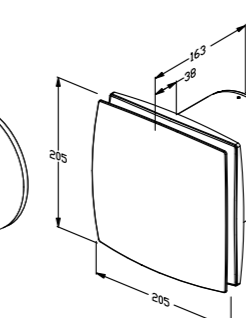
HGA-100A



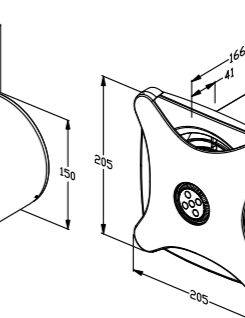
HGA-100B



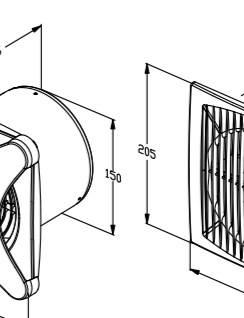
HGA-100C



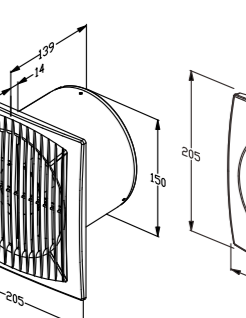
HGA-150A



HGA-150B



HGA-150C



HGA-150D

HEE-I SERIES

Metal Circular Centrifugal Duct Fan

HEE-100/125/150/160/200/250/315I

Product Features

This fan can withstand high pressure and is able to operate in long pipe at low noise levels.

It's moisture resistant and allows installation in wet environment and complex systems.

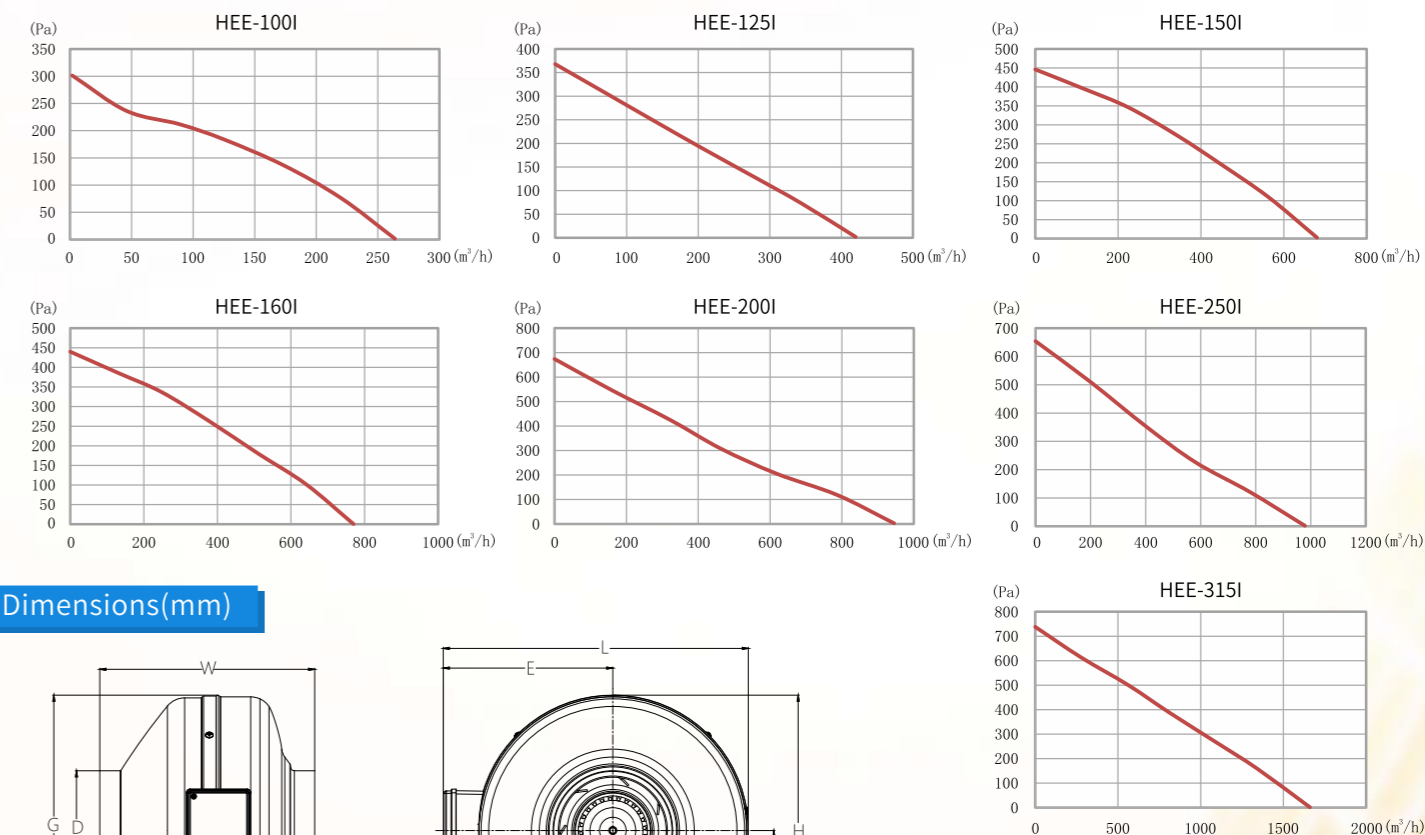
- ◆ The motor is built-in automatic reset thermal protector and NSK ball bearing.
- ◆ The motor is outer rotor motor, with compact structure, small size, stable performance and 50,000 hours working life.
- ◆ Fan blade adopts advanced aerodynamic design concept, high efficiency and low noise.
- ◆ The fan is balanced on both sides, with low vibration, balance precision level is G2.5.
- ◆ Unique designed bracket makes easier and flexible installation; No need maintenance.
- ◆ Protection grade: IP44; Insulation grade: F.

Performance Parameter

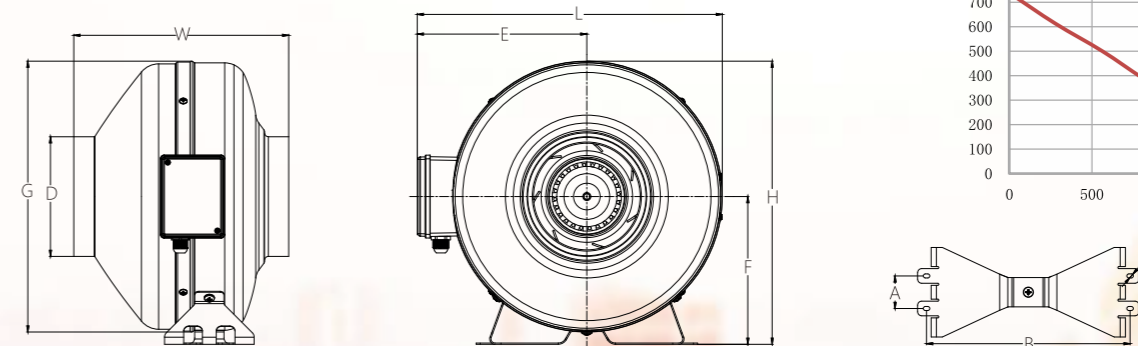
Model No.	Voltage (V)	Frequency (Hz)	Power (W)	Current (Amps)	Speed (RPM)	Airflow (m ³ /h)	Air Pressure (Pa)	Noise (dB)	Net Weight (kgs)
HEE-100I	220~240 100~120	50	51	0.24	2700	262	300	44	3.1
		60	75	0.60	2700	262	339	44	3.1
HEE-125I	220~240 100~120	50	73	0.35	2560	420	368	45	3.2
		60	94	0.85	2600	426	390	45	3.2
HEE-150I	220~240 100~120	50	110	0.58	2450	680	446	47	4.3
		60	140	1.30	2550	707	483	47	4.3
HEE-160I	220~240 100~120	50	110	0.58	2450	770	440	48	4.4
		60	140	1.30	2550	801	476	48	4.4
HEE-200I	220~240 100~120	50	175	0.75	2420	945	674	59	5.2
		60	180	1.60	2420	945	700	59	5.2
HEE-250I	220~240 100~120	50	175	0.80	2420	979	654	59	5.1
		60	180	1.60	2420	979	677	59	5.1
HEE-315I	220~240 100~120	50	225	1.28	2520	1660	738	65	6.6
		60	335	2.80	2800	1840	900	65	6.6



Performance Curves



Dimensions(mm)



MODEL	A	B	ΦC	ΦD	E	F	ΦG	L	W	H
HEE-100I	36	166	5	97	163.5	136.5	244	285	208	258
HEE-125I	36	166	5	123	163.5	136.5	244	285	198	258
HEE-150I	40	250	5	147	208.5	181.5	333	375	264	348
HEE-160I	40	250	5	157	208.5	181.5	333	375	258	348
HEE-200I	40	250	5	197	208.5	181.5	333	375	242	348
HEE-250I	40	250	5	247	208.5	181.5	333	375	217	348
HEE-315I	50	270	5	313	243	215	403	444	253	416

HEE-P SERIES

Silent Circular Centrifugal Duct Fan

HEE-100/150P/200P

Product Features

This fan is made of high quality polypropylene; Sound absorbent cotton and sound wave holes are built inside to reduce noise level.

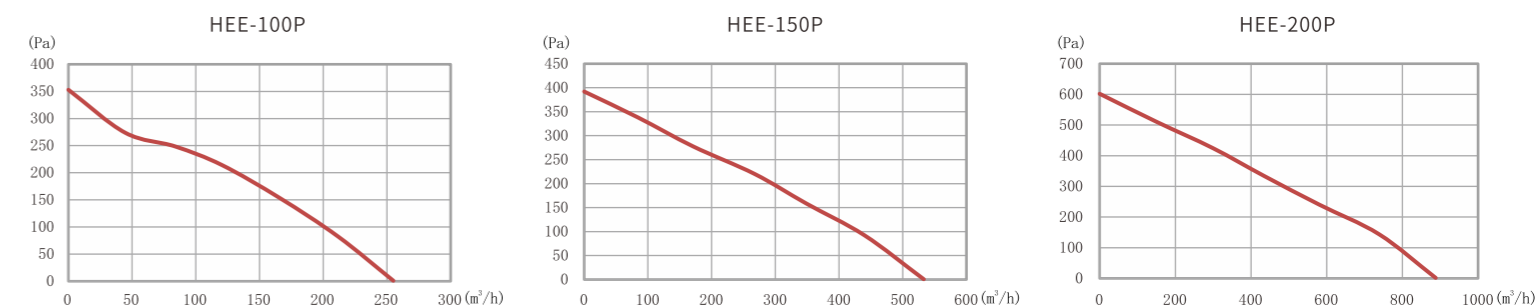
- ◆ The motor is built-in automatic reset thermal protector and NSK ball bearing.
- ◆ The motor is outer rotor motor, with compact structure, small size, stable performance and 50000 hours working life.
- ◆ Fan blade adopts advanced aerodynamic design concept, high efficiency and low noise.
- ◆ The fan is balanced on both sides, with low vibration, balance precision level is G2.5.
- ◆ Unique designed bracket makes easier and flexible installation; No need maintenance.
- ◆ Protection grade: IP67; Insulation grade: F.
- ◆ Operation temperature range: -20°C-60°C

Performance Parameter

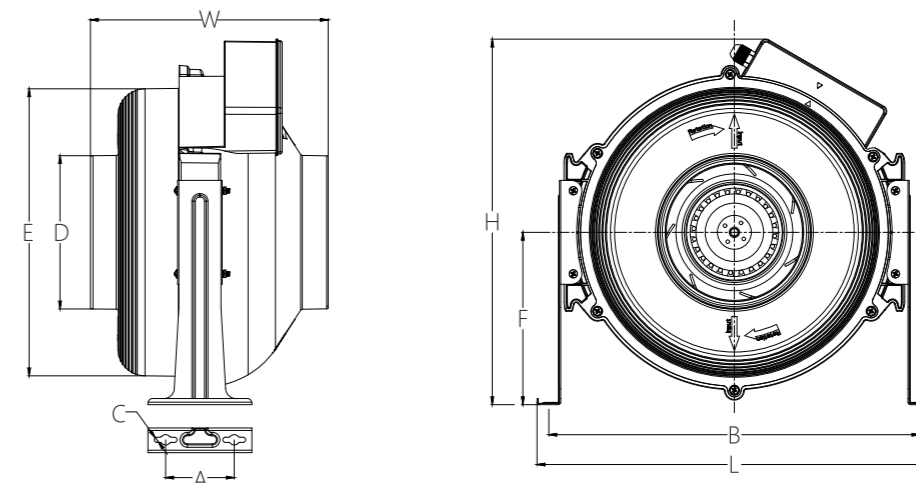
Model No.	Voltage /Frequency (V/Hz)	Power (W)	Current (Amps)	Speed (RPM)	Airflow (m ³ /h)	Air Pressure (Pa)	Noise (dB)	Net Weight (kgs)
HEE-100P	220~240/50	51	0.24	2700	255	353	41	2.7
	100~120/60	75	0.60	2700	255	411	41	
HEE-150P	220~240/50	61	0.27	2600	533	392	44	3.0
	100~120/60	140	1.30	2600	570	720	44	
HEE-200P	220~240/50	124	0.58	2500	888	602	55	4.6
	100~120/60	180	1.60	2500	888	756	55	



Performance Curves



Dimensions(mm)



MODEL	A	B	ΦC	ΦD	ΦE	F	L	W	H
HEE-100P	66	331	5	97	242	166	356	229	336
HEE-150P	66	357	5	148	276	166	380	229	352
HEE-200P	66	418	5	198	334	193	453	259	407

HI-IS SERIES

Metal Inline Booster Fan

HI-100/150/200IS

Product Features

- ◆ The fan body is made of steel construction with powder coated baked paint.
- ◆ Fluted on both ends to be easy mounted inline with the existing duct work to increase airflow.
- ◆ Motor features a permanently lubricated bearing that operates quietly and requires no maintenance.
- ◆ Suitable for various environment such as work shops, indoor growing rooms, warehouses, etc.

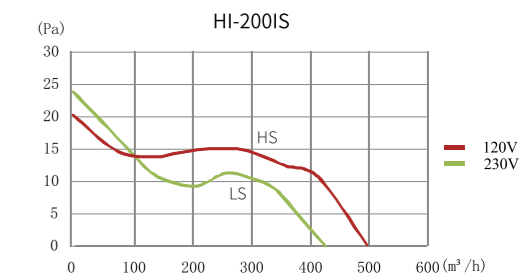
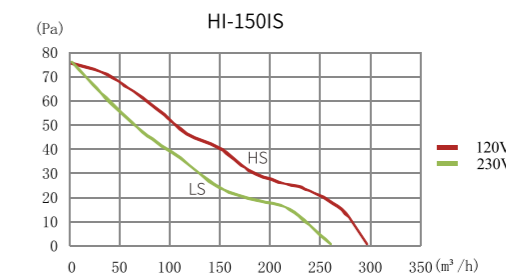
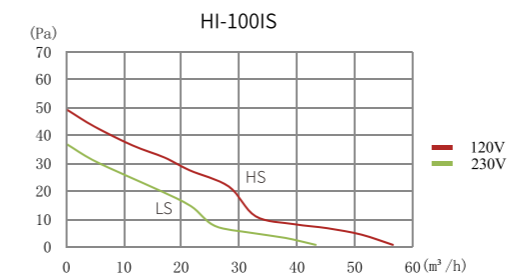
Performance Parameter

Model No.	Voltage /Frequency (V/Hz)	Current (Amps)	Power (W)	Speed (RPM)	Airflow (m ³ /h)	Air Pressure (Pa)	Noise (dB)	Net Weight (kgs)
HI-100IS	220~240/50	0.11	15	2600	43	36	35	0.8
	100~120/60	0.15	15	3200	56	48	38	
HI-150IS	220~240/50	0.32	34	2450	258	75	41	1.2
	100~120/60	0.68	37	2800	295	75	45	
HI-200IS	220~240/50	0.31	40	2350	501	20	50	1.4
	100~120/60	0.80	46	2350	431	24	50	

PS
E



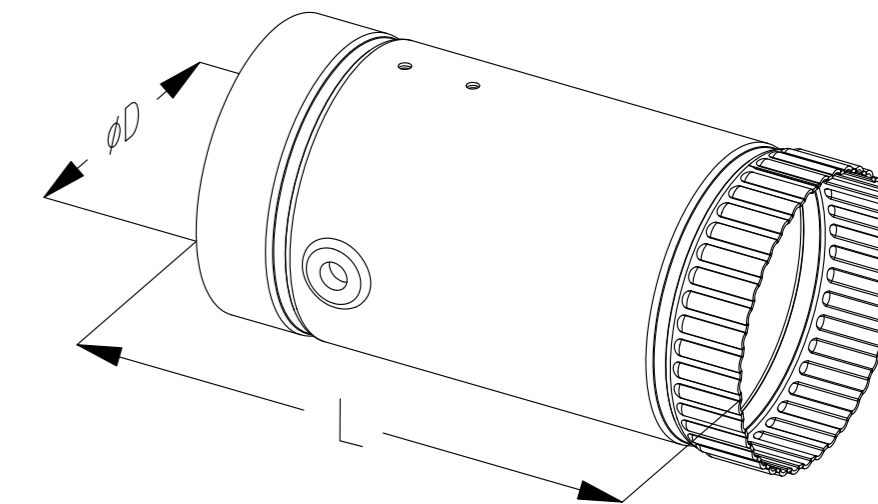
Performance Curves



HS:High speed
LS:Low speed

Dimensions(mm)

Model	ΦD	L
HI-100IS	100	185
HI-150IS	150	185
HI-200IS	200	185



HCC SERIES Silent Metal Box Fan

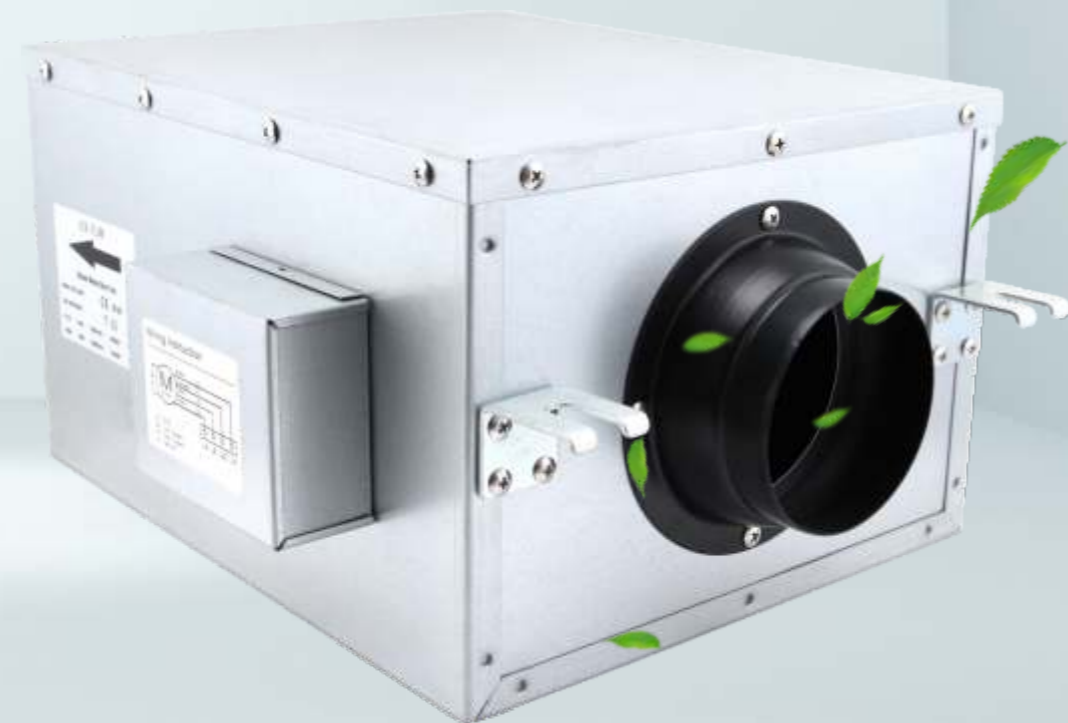
HCC-100/150P/200P

Product Features

- ◆ The fan is designed in a new style to smooth the airflow and reduce noise.
- ◆ The fan is designed for high static pressure operation, which can improve the stability of airflow when static pressure changes.
- ◆ The fan adopts new multi-blade double-inlet impeller, which can highly improve static pressure in low airflow environment, to realize high efficiency and energy saving.
- ◆ Wide application and easy installation.
- ◆ Operation temperature range: -20°C-80°C

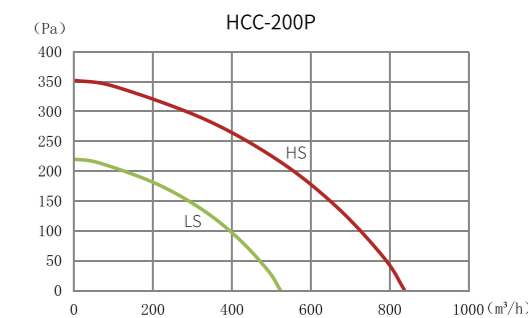
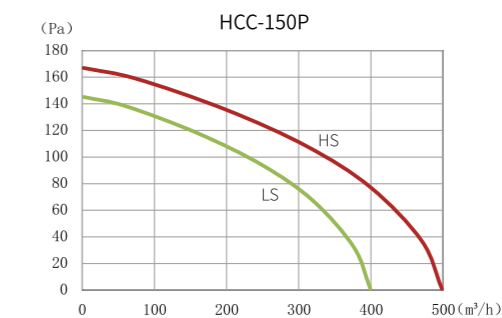
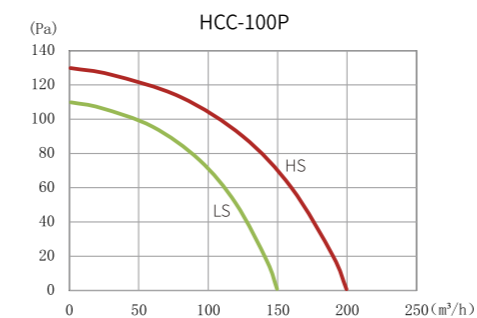
Performance Parameter

Model No.	Speed	Voltage /Frequency (V/Hz)	Current (Amps)	Power (W)	Speed (RPM)	Airflow (m³/h)	Air Pressure (Pa)	Noise (dB)	Net Weight (kgs)
HCC-100P	H	220~240/50	0.11	25	1380	200	130	20	5.4
	L		0.09	20	1280	150	110	18	
HCC-150P	H	220~240/50	0.22	49	1120	500	167	30	8.5
	L		0.19	44	1050	400	145	29	
HCC-200P	H	220~240/50	0.90	210	800	840	352	61	9.0
	L		0.78	150	500	525	220	38	

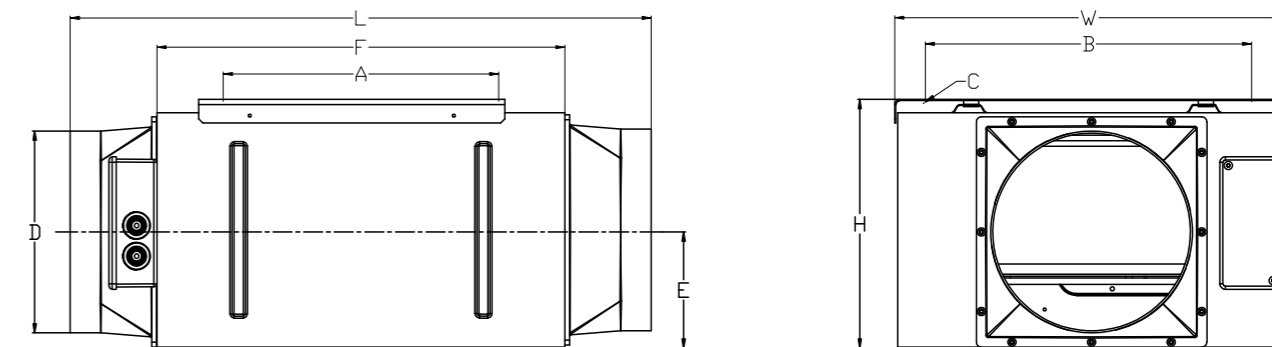


Performance Curves

HS:High speed
LS:Low speed



Dimensions(mm)



MODEL	A	B	C	ΦD	E	F	L	W	H
HCC-100P	334	220	4-22*Φ11	97	147	290	370	285	208
HCC-150P	384	336	4-22*Φ11	147	160	340	460	390	250
HCC-200P	270	320	6*Φ4	198	114	400	570	380	244

HA SERIES

Axial Duct Fan

HA12038B2/HA17251B2

Product Features

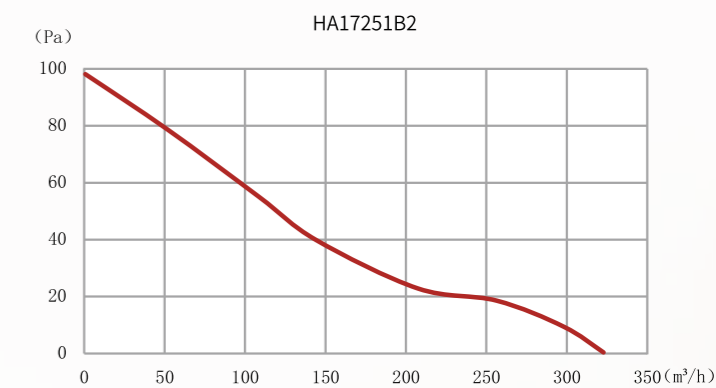
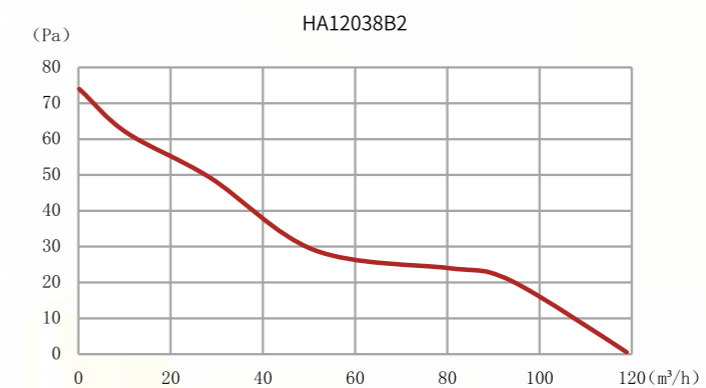
- ◆ Aluminum alloy frame
- ◆ Ball bearing
- ◆ Insulation grade: F
- ◆ Protection grade: IP44
- ◆ Easy installation
- ◆ Operation temperature range: -20°C-60°C

Performance Parameter

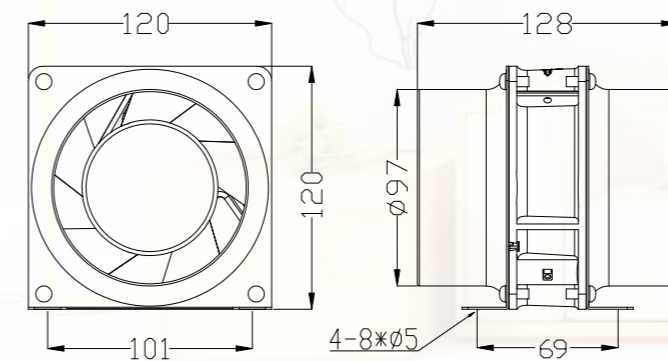
Model No.	Voltage (V)	Frequency (Hz)	Power (W)	Current (Amps)	Speed (RPM)	Airflow (m³/h)	Noise (dB)	Net Weight (kgs)
HA12038B2	220~240	50	18	0.12	2700	119	40	0.7
HA17251B2	220~240	50	36	0.26	2500	323	45	1.3



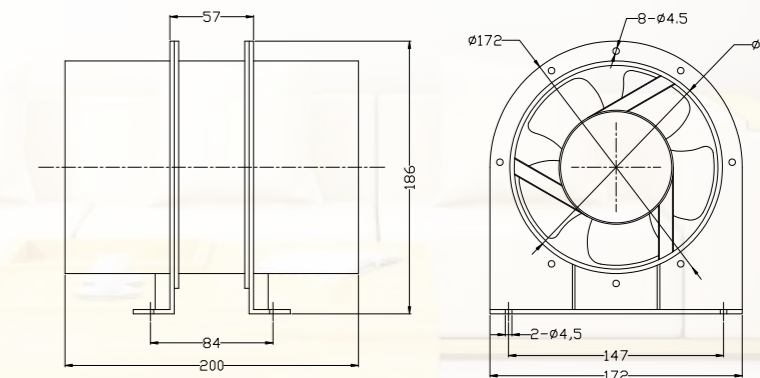
Performance Curves



Dimensions(mm)



HA12038B2



HA17251B2

HEE-S SERIES

Duct Ventilation Blower

HEE-100S

Product Features

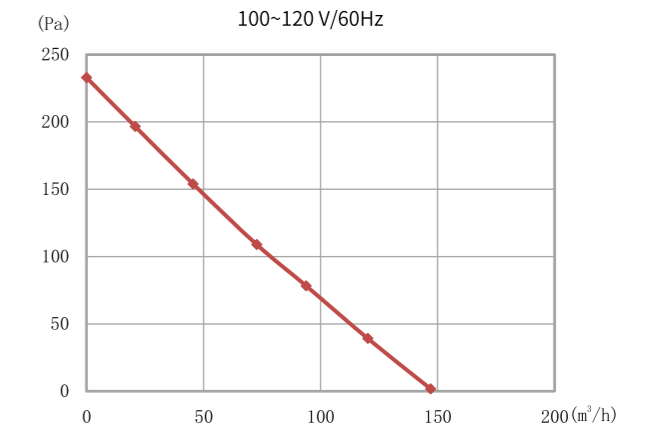
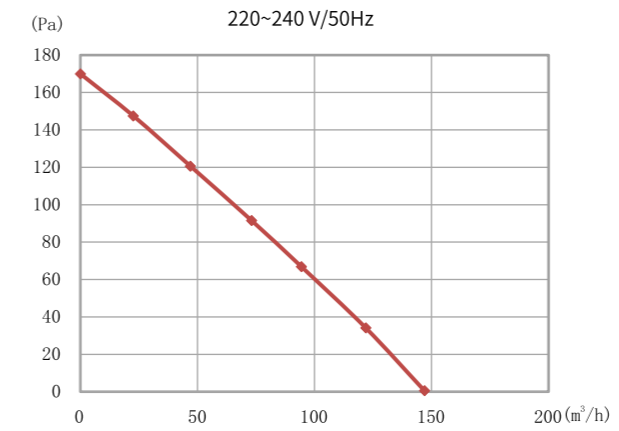
- ◆ Motor: Shaded pole motor, double ball bearings.
- ◆ Small volume, light weight.
- ◆ Low noise level: up to 30dB.
- ◆ Easy installation: fitted bracket for easy installation without any disassembly before or after installation.
- ◆ Operation temperature range: -20°C-60°C.

Performance Parameter

Model No.	Voltage Frequency (V)	Current (Amps)	Power (W)	Speed (RPM)	Airflow (m ³ /h)	Air Pressure (Pa)	Net Weight (kgs)
HEE-100S	220~240/50	0.25	36	2600	147	170	0.98
	100~120/60	0.5	36	2600	147	233	



Performance Curves



Dimensions(mm)

