

HEE-Z SERIES

Centrifugal Fan

HEE-133/175/190/220/225/250/280Z

Product Features

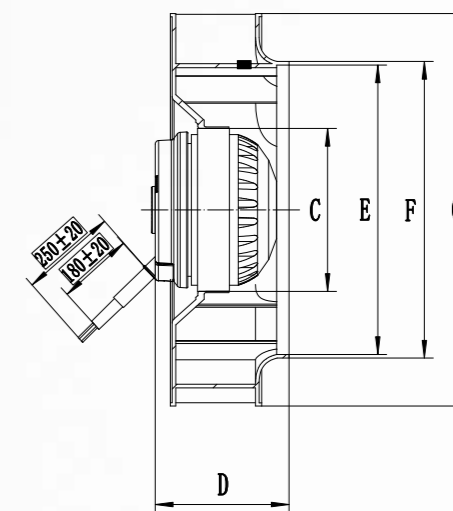
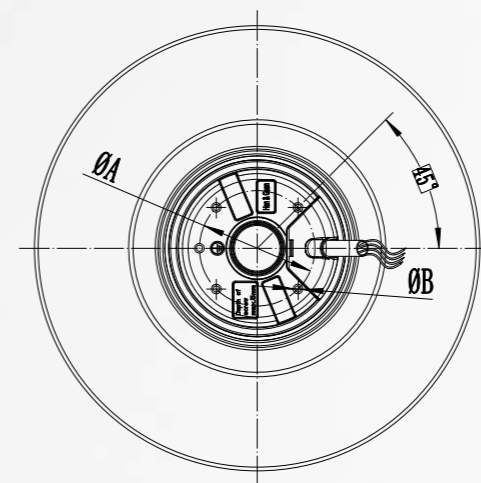
- ◆ The motor is built-in automatic reset thermal protector and NSK ball bearing.
- ◆ The motor is outer rotor motor, with compact structure, small size, stable performance and 50,000 hours working life.
- ◆ Fan blade adopts advanced aerodynamic design concept, high efficiency and low noise.
- ◆ The fan is balanced on both sides, with low vibration, balance precision level is G2.5.
- ◆ Protection grade: IP44; Insulation grade: F.

Performance Parameter

Model No.	Voltage /Frequency (V/Hz)	Current (Amps)	Power (W)	Speed (RPM)	Airflow (m³/h)	Air Pressure (Pa)	Noise (dB)	Net Weight (kgs)
HEE-133Z	220~240/50	0.16	32	2850	229	186	56	0.7
	100~120/60	0.24	27	2850	229	186	56	
HEE-175Z	220~240/50	0.23	48	2750	504	279	62	1.4
	100~120/60	0.49	59	2750	504	279	62	
HEE-190Z	220~240/50	0.30	55	2600	610	354	62	1.3
	100~120/60	0.70	70	2800	610	354	62	
HEE-220Z	220~240/50	0.49	98	2600	800	411	66	1.5
HEE-225Z	220~240/50	0.53	125	2600	1132	523	69	2.4
	100~120/60	1.50	160	2600	1132	523	69	
HEE-250Z	220~240/50	0.53	125	2600	1008	567	69	2.4
HEE-280Z	220~240/50	1.28	235	2550	2077	735	75	3.0
	100~120/60	2.40	270	2550	2077	735	75	



Dimensions(mm)



MODEL	ΦA	B	ΦC	D	ΦE	ΦF	ΦG
HEE-133Z	39	4-M4	72-16	82±1	93	96	133
HEE-175Z	39	4-M4	72-16	74±1	131	134	175
HEE-190Z	58	4-M4	92-18	73.5±1	131	134	190
HEE-220Z	58	4-M4	92-18	71±1	163.5	167.5	220
HEE-225Z	58	4-M4	92-35	99±1	153	157	225
HEE-250Z	58	4-M4	92-35	99±1	160.5	164.5	250
HEE-280Z	58	4-M4	92-42	104±1	190	192	280

ROOF MOUNTED EXHAUST FAN

HEE-150IZR HF-150PZR HF-200PZR

Product Features

- ◆ The fan cowl is made of thickened stainless steel, it's ultraviolet-proof and water-proof.
- ◆ The fan body is made of PP material, it's anti-acid and alkali.
- ◆ Big airflow and air pressure.
- ◆ Double NMB ball bearings, long working life - over 50,000 hours.
- ◆ Easy installation.
- ◆ Protection grade: IP44
- ◆ Operation temperature range: -20°C-60°C

Optional Functions :

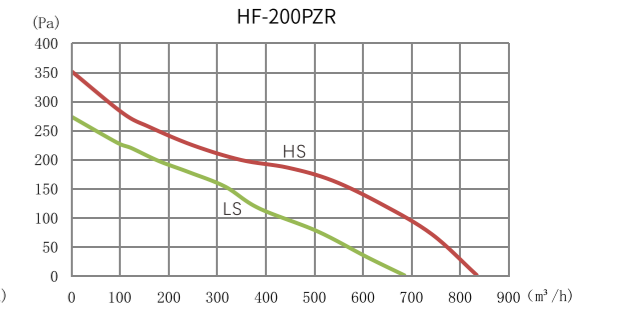
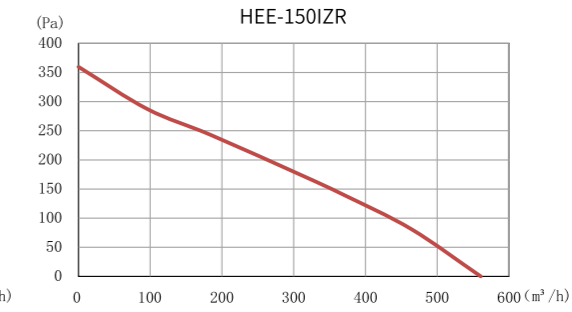
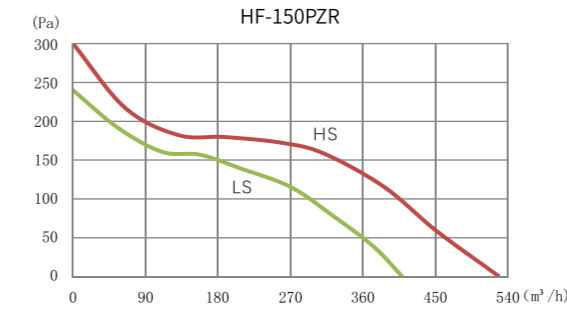
- ✍ Three-speed motor (high, middle, low)
- ✍ Timer
- ✍ Temperature, humidity sensor

Performance Parameter

Model No.	Speed	Voltage /Frequency (V/Hz)	Current (Amps)	Power (W)	Speed (RPM)	Airflow (m³/h)	Air Pressure (Pa)	Net Weight (kgs)
HF-150PZR	H	220~240/50	0.22	54	2550	530	300	3.5
	L	100~120/60	0.19	44	1850	410	240	
HEE-150IZR	//	220~240/50	0.27	61	2550	588	360	3.3
HF-200PZR	H	220~240/50	0.53	128	2450	840	352	5.1
	L	100~120/60	0.52	123	1950	690	274	
HF-200PZR	H	220~240/50	1.47	162	2450	840	352	5.1
	L	100~120/60	1.27	146	1950	690	274	



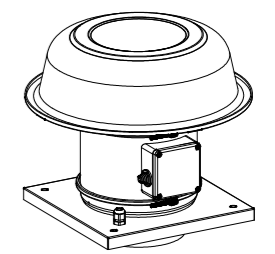
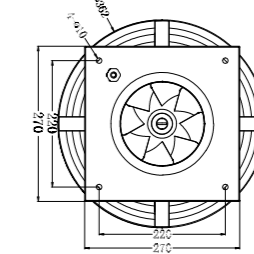
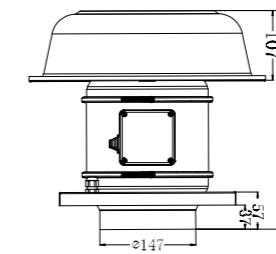
Performance Curves



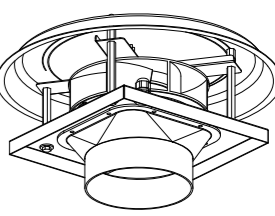
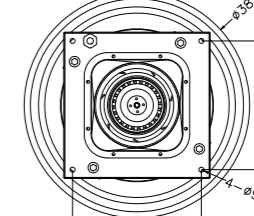
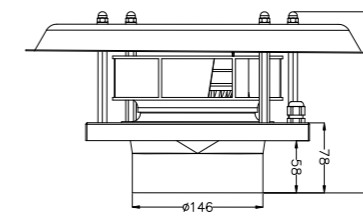
HS:High speed
LS:Low speed

Dimensions(mm)

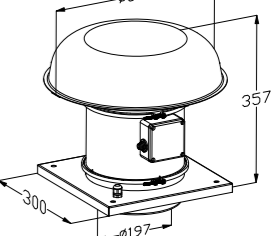
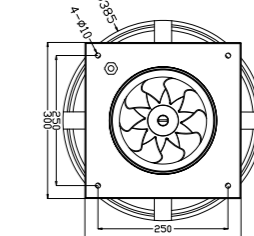
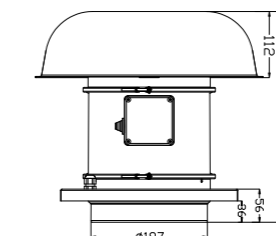
HF-150PZR



HEE-150IZR



HF-200PZR



EC MOTOR & DC MOTOR EXHAUST FAN



Hon&Guan EC inline duct fan
High efficiency

- ◆ High performance.
- ◆ High efficiency and energy saving.
- ◆ Free speed control.
- ◆ Stable performance.
- ◆ Protection grade: Ip44.



HDD-PE SERIES

Eco-Watt Silent Mixed-flow Inline Duct Fan

HDD-100PE/125PE/150PE/200PE

Product Features

- ◆ Quiet designed structure and environmental protection material.
- ◆ Eco-watt motor: high efficiency and energy saving, meet EU ERP2018 energy efficiency standards.
- ◆ Free speed control: 0-10V input speed control or PWM signal speed control.
- ◆ Stable performance: set with slow starting and overcurrent, overvoltage, overheat protection.
- ◆ Easy installation: special joint design for quick and easy installation.
- ◆ Protection grade: IP44
- ◆ Operation temperature range: -20°C-60°C

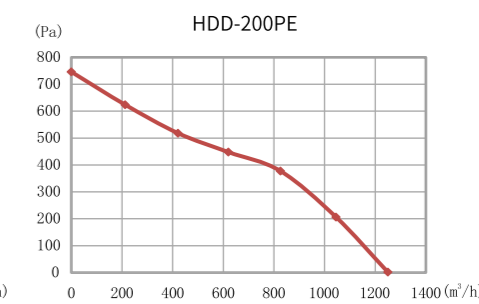
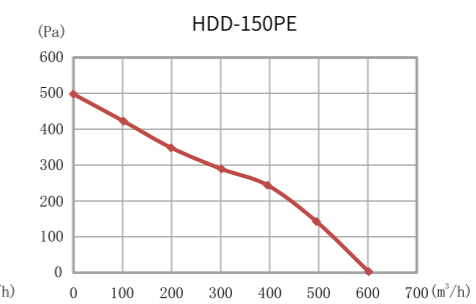
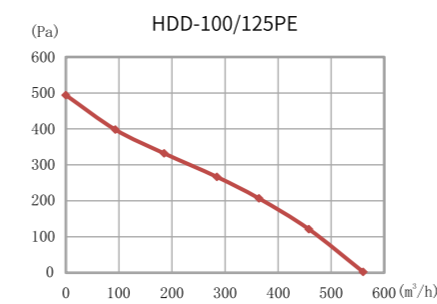
Performance Parameter

Model No.	Voltage (V)	Current (Amps)	Power (W)	Speed (RPM)	Airflow (m ³ /h)	Air Pressure (Pa)	Net Weight (kgs)
HDD-100/125PE	100~240	0.52 MAX.1.03	73	3800	560	494	2.8
HDD-150PE	100~240	0.47 MAX.0.94	70	3000	602	498	4.0
HDD-200PE	100~240	1.05 MAX.2.30	180	3000	1250	746	5.9

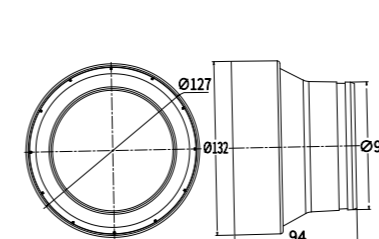


(optional)

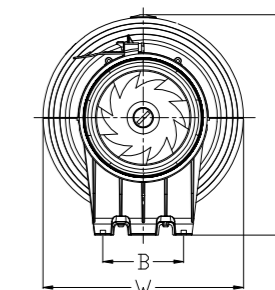
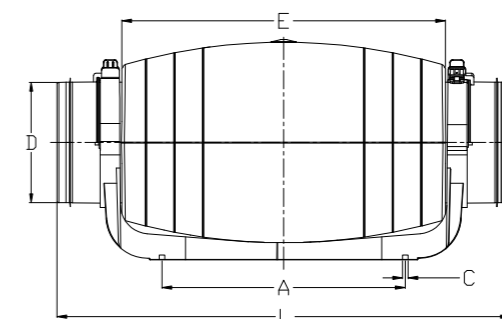
Performance Curves



Dimensions(mm)



Adaptor



MODEL	A	B	C	ΦD	E	L	W	H
HDD-100/125PE	248	82	4-Φ5.5	97/123	330	580/462	205	225
HDD-150PE	251	95	4-Φ5.3	149/158	352	488	221	244
HDD-200PE	339	128	4-Φ5.6	198	436	567	262	301

HF-PE SERIES

Eco-Watt Mixed-flow Inline Duct Fan

HF-100/125/150/200/250/315PE

Product Features

- ◆ High efficiency and energy saving: use a DC variable frequency motor (permanent magnet synchronous motor) for lower energy consumption. Meet EU ERP2018 energy efficiency standards.
- ◆ Free speed control: 0-10V voltage speed control and PWM signal speed control.
- ◆ Stable performance: set with slow starting, no influence during voltage fluctuation.
- ◆ Long durability: low vibration, low noise and continuous operation.
- ◆ Protection grade: IP44
- ◆ Operation temperature range: -20°C-60°C

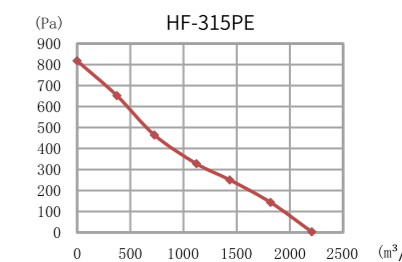
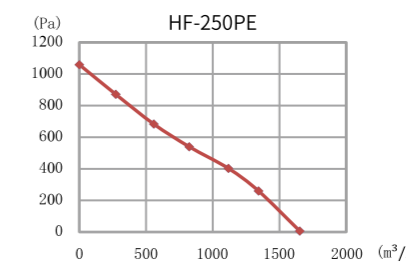
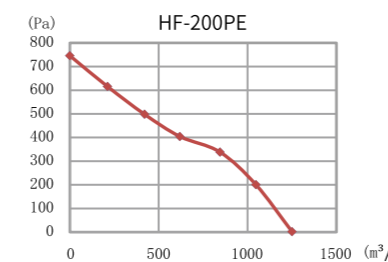
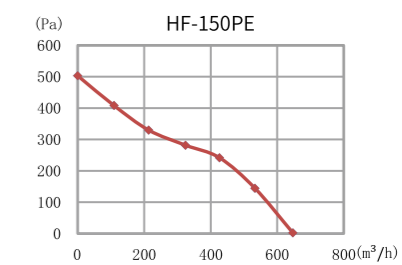
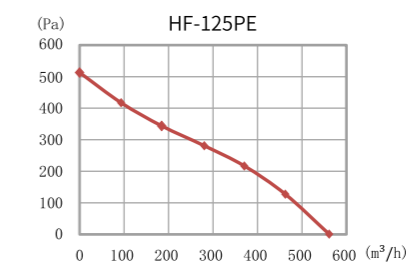
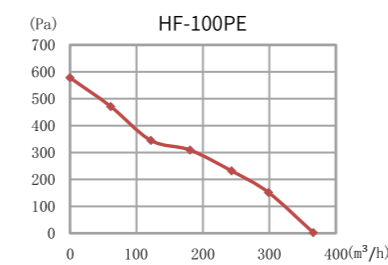
Performance Parameter

Model No.	Voltage (V)	Current (Amps)	Power (W)	Speed (RPM)	Airflow (m ³ /h)	Air Pressure (Pa)	Net Weight (kgs)
HF-100PE	100~240	0.47 MAX.0.94	70	3800	366	578	1.5
HF-125PE	100~240	0.47 MAX.0.94	70	3800	561	513	1.5
HF-150PE	100~240	0.47 MAX.0.94	70	3000	647	503	2.6
HF-200PE	100~240	1.05 MAX.2.10	180	3000	1250	746	4.9
HF-250PE	100~240	1.50 MAX.2.70	255	3000	1650	1059	7.5
HF-315PE	100~240	1.40 MAX.2.50	250	2350	2206	818	11.0

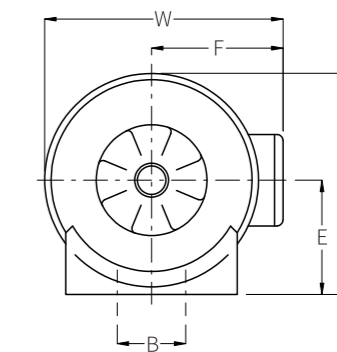
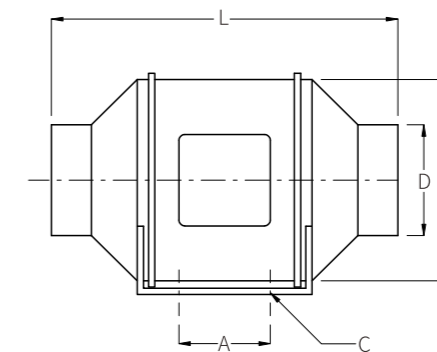


(optional)

Performance Curves



Dimensions(mm)



MODEL	A	B	C	ΦD	E	F	ΦG	L	W	H
HF-100PE	80	60	4-Φ4.5	97	99	116	163	302	204	195
HF-125PE	80	60	4-Φ4.5	123	99	116	163	257	204	195
HF-150PE	80	60	4-Φ5.0	147	109	127	187	313	227	208
HF-200PE	100	94	4-Φ5.5	197	125	137	205	302	249	237
HF-250PE	150	150	4-Φ8*11	247	150	174	261	383	310	286
HF-315PE	181	178	4-Φ8*11	312	187	216	325	446	386	357

HF-PD SERIES

DC Mixedflow Inline Duct Fan

HF-100/125/150PD

Product Features

Material & Structure:

- ◆ Fan casing is made of high quality polypropylene; anti-acid and alkali.
- ◆ Easy installation.
- ◆ Protection grade: IP44.
- ◆ Insulation grade: F.

Motor & control:

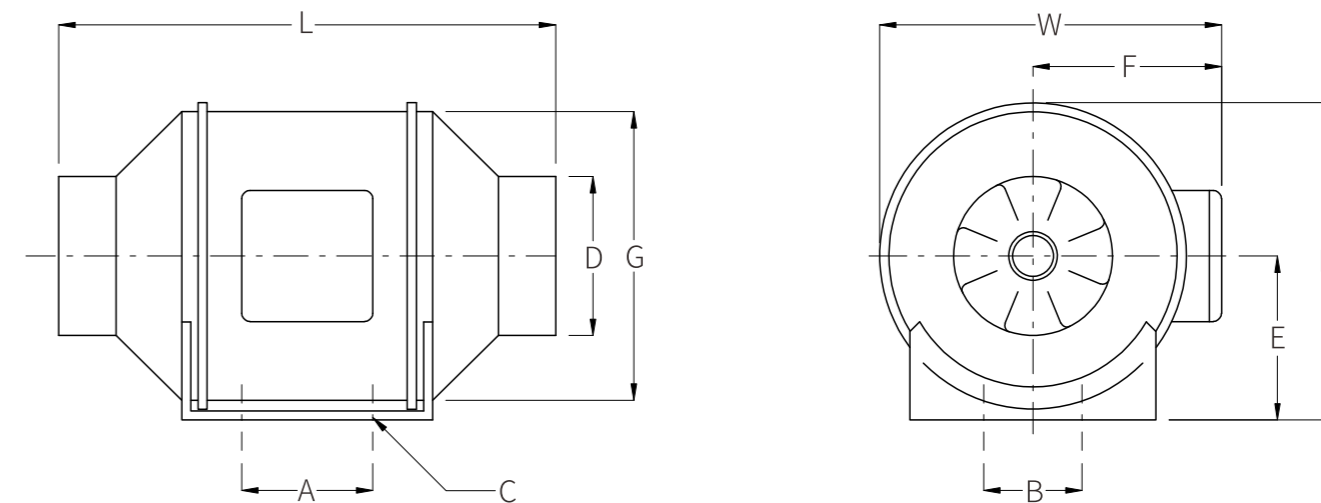
- ◆ 3-phase motor drive with smooth operation and high efficiency impeller.
- ◆ 100% speed controllable and easy airflow adjustment.
- ◆ Permanently lubricated sealed bearings.

Performance Parameter

Model No.	Voltage (V)	Current (Amps)	Power (W)	Speed (RPM)	Airflow (m ³ /h)	Air Pressure (Pa)	Net Weight (kgs)
HF-100PD	12	1.2	14.4	2200	198	156	1.5
	24	2.92	70	3800	359	361	
HF-125PD	12	1.4	16.8	2250	284	159	1.5
	24	3.04	73	3800	537	378	
HF-150PD	24	1.875	45	2550	530	300	2.6
	24	3.04	73	3000	650	457	



Dimensions(mm)



MODEL	A	B	C	ΦD	E	F	ΦG	L	W	H
HF-100PD	80	60	4-Φ4.5	97	99	116	163	302	204	195
HF-125PD	80	60	4-Φ4.5	123	99	116	163	257	204	195
HF-150PD	80	60	4-Φ5.0	147	109	127	187	313	227	208

HI-EC SERIES

Eco-Watt Powerful Inline Duct Fan

HI-160/200EC

Product Features

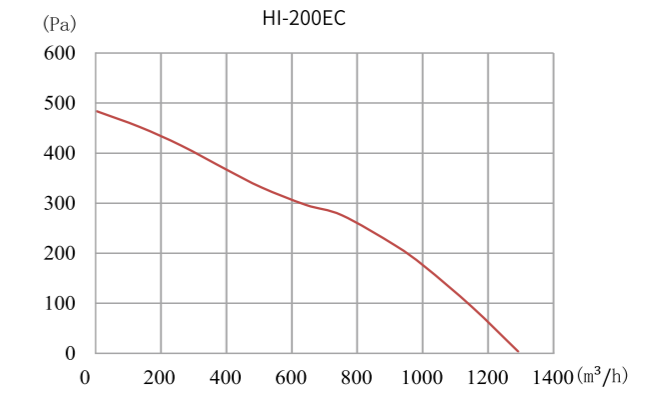
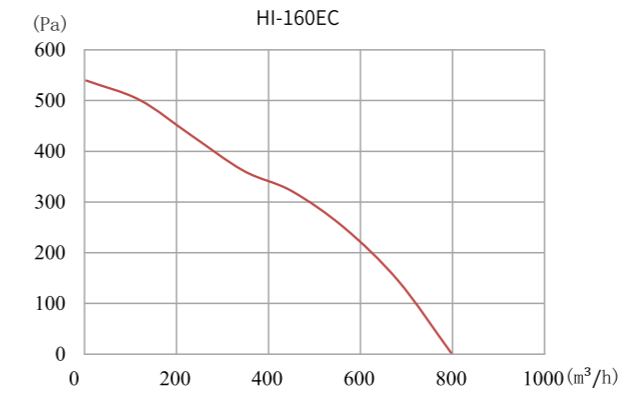
- ◆ **High performance:** small fan body, unique design fan blade, strong airflow, big air pressure.
- ◆ **High efficiency and energy saving:** use a DC variable frequency motor (permanent magnet synchronous motor) for lower energy consumption. Meet EU ERP2018 energy efficiency standards.
- ◆ **Free speed control:** 0-10V voltage speed control and PWM signal speed control.
- ◆ **Stable performance:** set with slow starting, no influence during voltage fluctuation.
- ◆ **Double NMB ball bearings,** long working life - over 50,000 hours.
- ◆ **Protection grade:** IP44
- ◆ **Operation temperature range:** -20°C-60°C

Performance Parameter

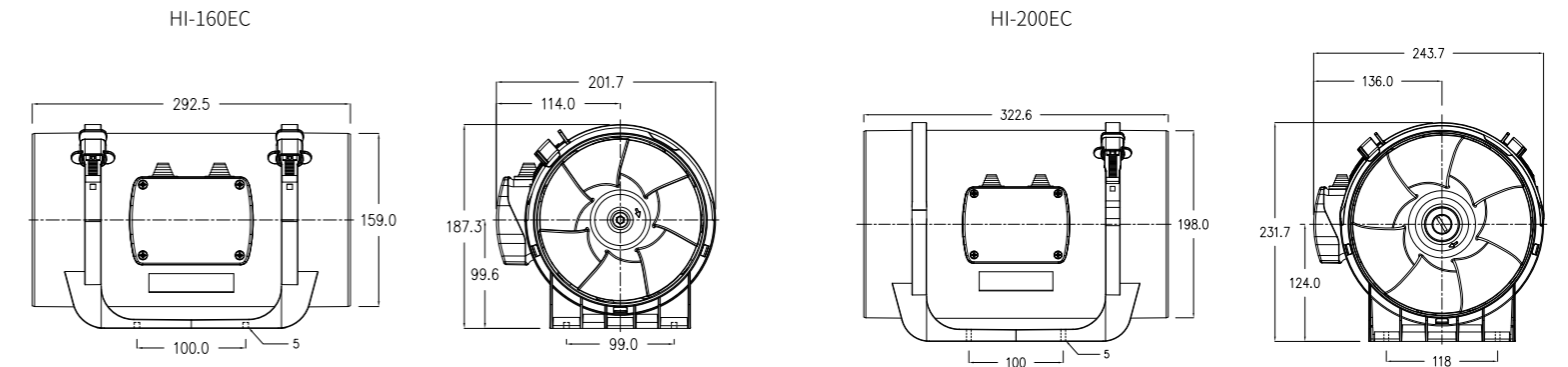
Model No.	Voltage (V)	Current (Amps)	Power (W)	Speed (RPM)	Airflow (m ³ /h)	Air Pressure (Pa)	Net Weight (kgs)
HI-160EC	100~240	0.70 MAX.1.40	77	4300	798	542	2.0
HI-200EC	100~240	1.0 MAX.2.0	110	3500	1292	485	2.7



Performance Curves



Dimensions(mm)



HEE-IE SERIES

M

HEE-100/125/150/160/200/250/315IE

Product Features

Material & Structure:

- ◆ Fan casing is made of heavy steel, with powder coat finish, aerodynamic design allowing larger air pressure and airflow.
- ◆ Brackets included for wall or ceiling mounted.
- ◆ Protection grade: IP44.
- ◆ Insulation grade: F.

Motor & control:

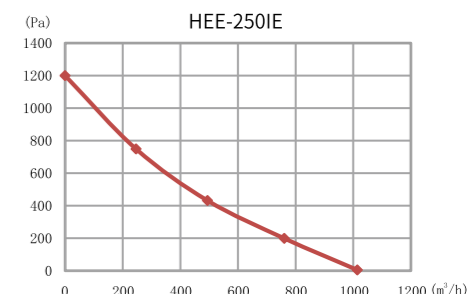
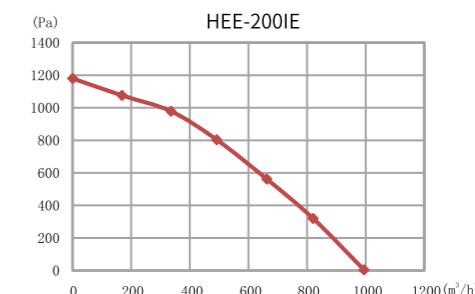
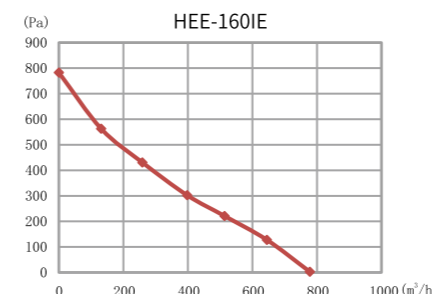
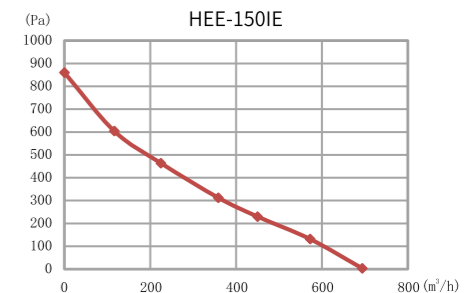
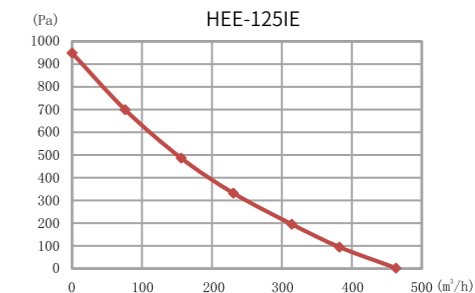
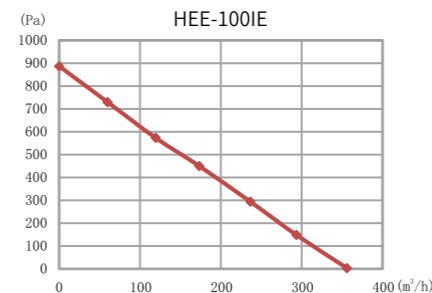
- ◆ 100% speed controllable and easy airflow adjustment.
- ◆ EC motor with automatic reset thermal overload protection.
- ◆ Permanently lubricated sealed bearings.

Performance Parameter

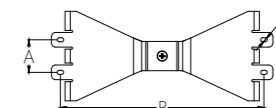
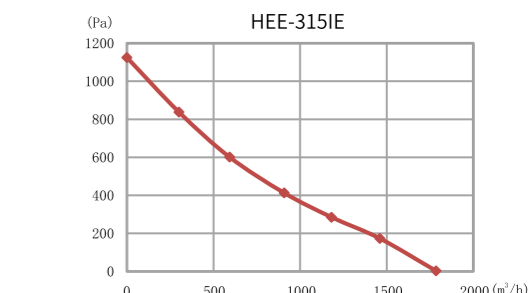
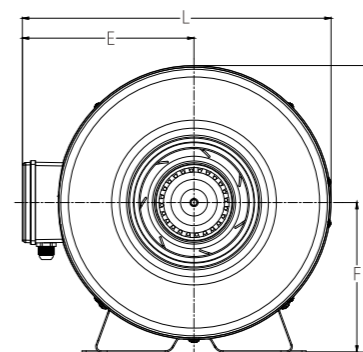
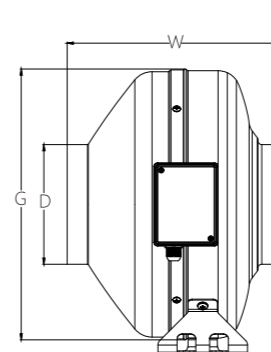
Model No.	Voltage (V)	Current (Amps)	Power (W)	Speed (RPM)	Airflow (m ³ /h)	Air Pressure (Pa)	Net Weight (kgs)
HEE-100IE	100~240	MAX.1.0	77	3600	356	887	3.1
HEE-125IE	100~240	MAX.1.0	77	3000	463	949	3.2
HEE-150IE	100~240	MAX.1.2	96	2500	694	860	4.3
HEE-160IE	100~240	MAX.1.2	96	2600	778	783	4.4
HEE-200IE	220~240	1.3	150	3100	994	1180	5.2
HEE-250IE	220~240	1.3	155	3300	1014	1200	5.1
HEE-315IE	220~240	2.0	226	2800	1785	1125	6.6



Performance Curves



Dimensions(mm)



MODEL	A	B	ΦC	ΦD	E	F	ΦG	L	W	H
HEE-100I	36	166	5	97	163.5	136.5	244	285	208	258
HEE-125I	36	166	5	123	163.5	136.5	244	285	198	258
HEE-150I	40	250	5	147	208.5	181.5	333	375	264	348
HEE-160I	40	250	5	157	208.5	181.5	333	375	258	348
HEE-200I	40	250	5	197	208.5	181.5	333	375	242	348
HEE-250I	40	250	5	247	208.5	181.5	333	375	217	348
HEE-315I	50	270	5	313	243	215	403	444	253	416

HEE-PE SERIES

EC Plastic Centrifugal Duct Fan

HEE-100/150P/200PE

Product Features

Material & Structure:

- ◆ Fan casing is made of high quality polypropylene; Sound absorbent cotton and sound wave holes are built inside to reduce noise level.
- ◆ Brackets included for wall or ceiling mounted.
- ◆ Protection grade: IP44.
- ◆ Insulation grade: F.

Motor & control:

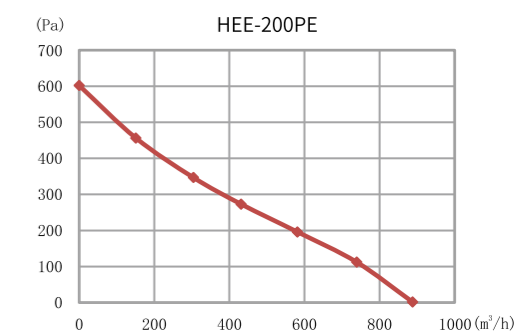
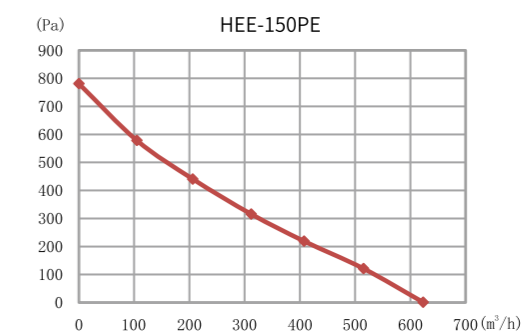
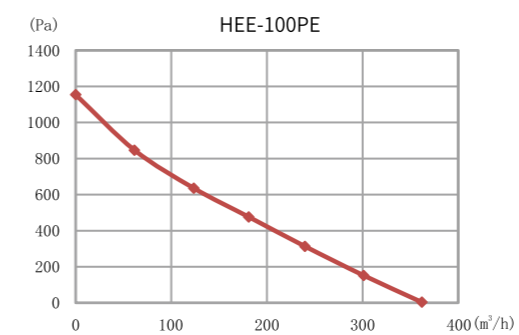
- ◆ 100% speed controllable and easy airflow adjustment.
- ◆ EC motor with automatic reset thermal overload protection.
- ◆ Permanently lubricated sealed bearings.

Performance Parameter

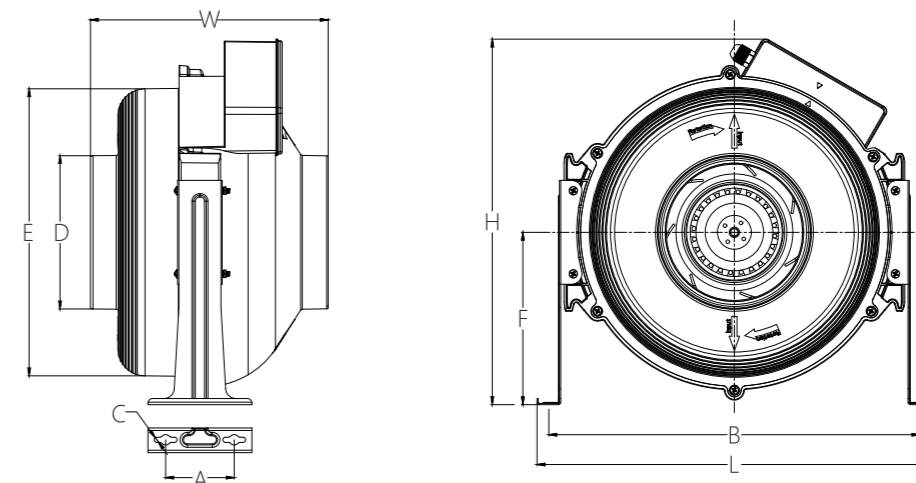
Model No.	Voltage (V)	Current (Amps)	Power (W)	Speed (RPM)	Airflow (m ³ /h)	Air Pressure (Pa)	Net Weight (kgs)
HEE-100PE	100~240	MAX.1.3	75	4000	362	1154	2.7
HEE-150PE	100~240	MAX.1.3	75	3100	623	781	3.0
HEE-200PE	100~240	MAX.1.4	95	2500	888	602	4.6



Performance Curves



Dimensions(mm)



MODEL	A	B	ΦC	ΦD	ΦE	F	L	W	H
HEE-100PE	66	331	5	97	242	166	356	229	336
HEE-150PE	66	357	5	148	276	166	380	229	352
HEE-200PE	66	418	5	198	334	193	453	259	407

HR-AE SERIES

Turbo Inline Fan

HR-100AE

Product Features

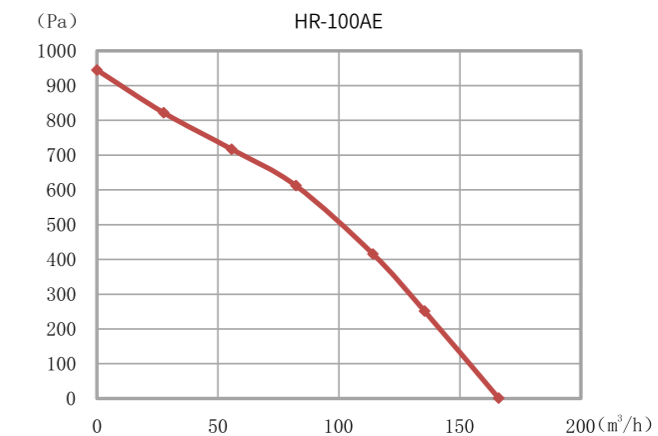
- ◆ Advantage: Small volume, high air pressure, low noise.
- ◆ High efficiency and energy saving motor: use a DC variable frequency motor (permanent magnet synchronous motor) for lower energy consumption.
- ◆ Stable performance: overcurrent, overvoltage, overtemperature, overload protection.
- ◆ Free speed control: 0-10V voltage speed control and PWM signal speed control.
- ◆ Protection grade: IP44

Performance Parameter

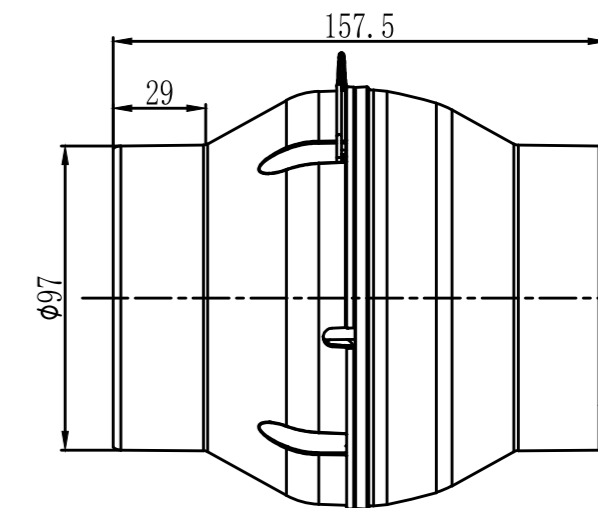
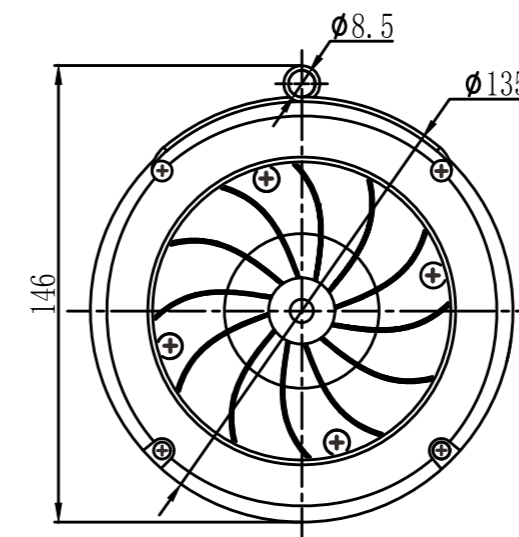
Model No.	Voltage Frequency (V)	Current (Amps)	Power (W)	Speed (RPM)	Airflow (m ³ /h)	Air Pressure (Pa)	Net Weight (kgs)
HR-100AE	100~240	0.22 MAX.0.43	32	7500	166	945	0.62



Performance Curves



Dimensions(mm)



PEZE SERIES

EC Mixed-flow Inline Duct Fan
with Wireless Remote Controller

HF-100/125/150/200/250/315PEZE
HDD-100/125PEZE
HDD-150/200PEZE

Product Features

- ◆ 6-speed remote control: brings life more convenience.
- ◆ Touch screen and smart chip: faster and easier operation.
- ◆ Easy installation: applicable on wall, table, glass and other flat spaces.

Performance Parameter

Model No.	Voltage (V)	Current (Amps)	Power (W)	Speed (RPM)	Airflow (m ³ /h)	Air Pressure (Pa)	Net Weight (kgs)
HF-100PEZE	100~240	0.47 MAX.0.94	70	3800	366	578	1.5
HF-125PEZE	100~240	0.47 MAX.0.94	70	3800	561	513	1.5
HF-150PEZE	100~240	0.47 MAX.0.94	70	3000	647	503	2.6
HF-200PEZE	100~240	1.05 MAX.2.10	180	3000	1250	746	4.9
HF-250PEZE	100~240	1.50 MAX.2.70	255	3000	1650	1059	7.5
HF-315PEZE	100~240	1.40 MAX.2.50	250	2350	2206	818	11.0
HDD-100/125PEZE	100~240	0.52 MAX.1.03	73	3800	560	494	2.8
HDD-150PEZE	100~240	0.47 MAX.0.94	70	3000	602	498	4.0
HDD-200PEZE	100~240	1.05 MAX.2.30	180	3000	1250	746	5.9

PEZC SERIES

EC Mixed-flow Inline Duct Fan
with Wired Smart Controller

HF-100/125/150/200/250/315PEZC
HDD-100/125PEZC
HDD-150/200PEZC

Product Features

This smart controller integrates the functions as below to operate a PWM-controlled EC motor fan.

- ◆ 9-speed control
- ◆ Temperature sensor
- ◆ Humidity sensor
- ◆ Timing schedule
- ◆ Timer function

Performance Parameter

Model No.	Voltage (V)	Current (Amps)	Power (W)	Speed (RPM)	Airflow (m ³ /h)	Air Pressure (Pa)	Net Weight (kgs)
HF-100PEZC	100~240	0.47 MAX.0.94	70	3800	366	578	1.5
HF-125PEZC	100~240	0.47 MAX.0.94	70	3800	561	513	1.5
HF-150PEZC	100~240	0.47 MAX.0.94	70	3000	647	503	2.6
HF-200PEZC	100~240	1.05 MAX.2.10	180	3000	1250	746	4.9
HF-250PEZC	100~240	1.50 MAX.2.70	255	3000	1650	1059	7.5
HF-315PEZC	100~240	1.40 MAX.2.50	250	2350	2206	818	11.0
HDD-100/125PEZC	100~240	0.52 MAX.1.03	73	3800	560	494	2.8
HDD-150PEZC	100~240	0.47 MAX.0.94	70	3000	602	498	4.0
HDD-200PEZC	100~240	1.05 MAX.2.30	180	3000	1250	746	5.9



HGA-E SERIES

EC Exhaust fan

HGA-150AE/150BE/150CE/150DE

Product Features

Material & Structure:

- ◆ Fan casing is made of high quality durable ABS, UV resistant, designed with fashionable ultra-thin front panel or grille.
- ◆ Both wall/window mounted and ceiling mounted installation.
- ◆ Protection grade: IP44.
- ◆ Insulation grade: F.

Motor & control:

- ◆ 100% speed controllable and easy airflow adjustment.
- ◆ EC motor with automatic reset thermal overload protection.
- ◆ Permanently lubricated sealed bearings.

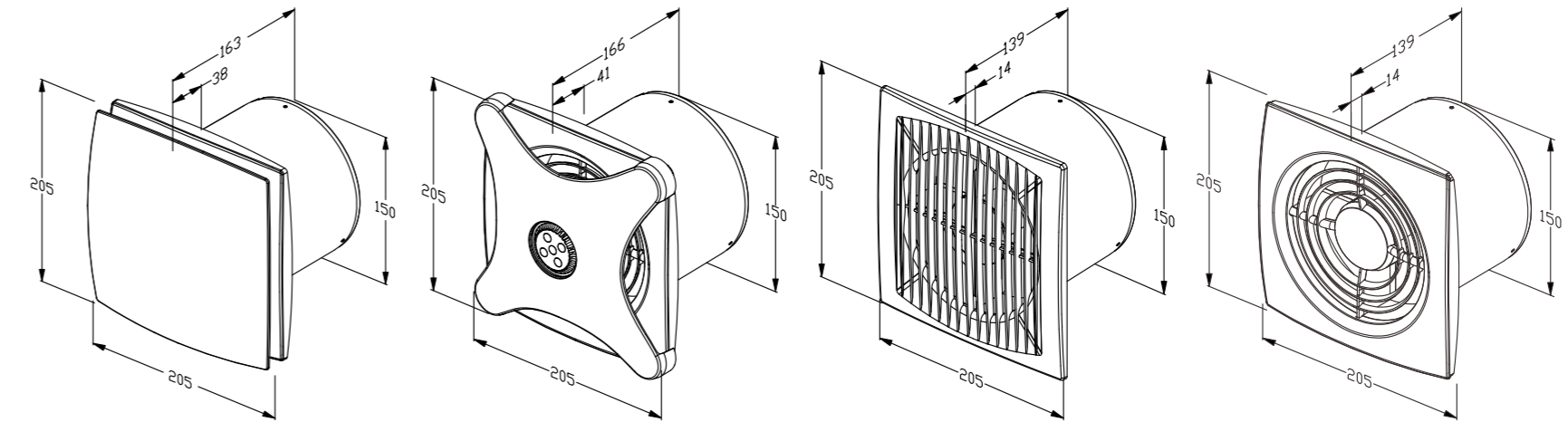
Performance Parameter

Model No.	Voltage (V)	Current (Amps)	Power (W)	Speed (RPM)	Airflow (m ³ /h)	Air Pressure (Pa)	Net Weight (kgs)
HGA-150AE	100~240	0.06	7	2000	175	42	1.0
HGA-150BE	100~240	0.08	12	2000	172	40	1.1
HGA-150CE	100~240	0.06	7	2000	257	39	1.0
HGA-150DE	100~240	0.06	7	2000	237	43	0.9



Performance Curves

Dimensions(mm)



HGA-150A

HGA-150B

HGA-150C

HGA-150D

HEE-ZE SERIES

Backward-curved Centrifugal Fan

HEE-133/175/190/220/225/250/280ZE

Product Features

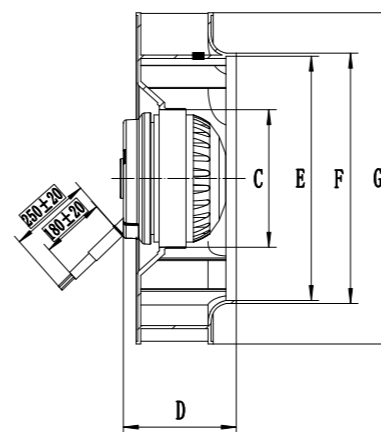
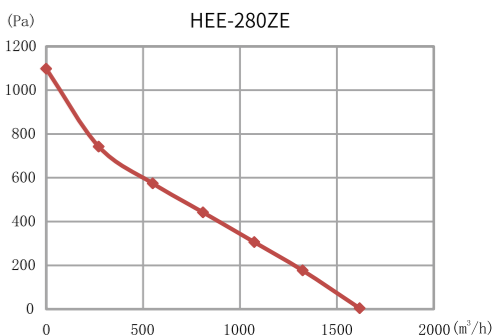
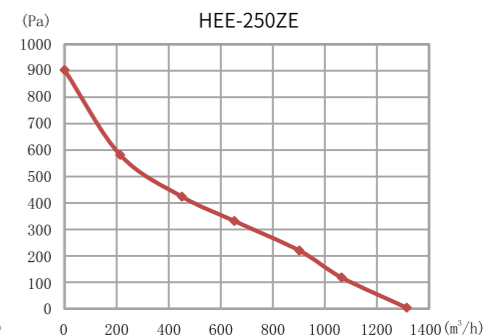
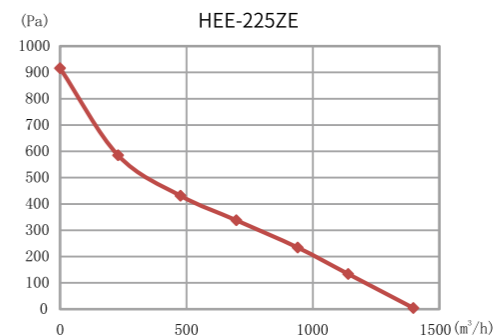
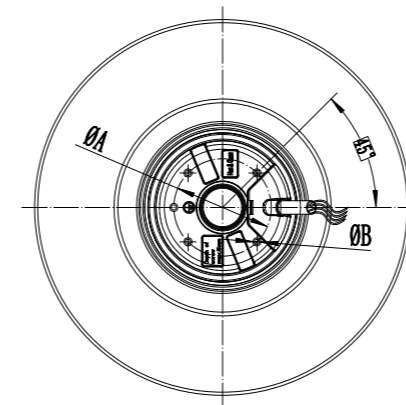
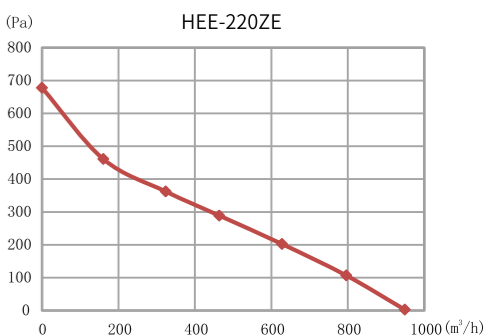
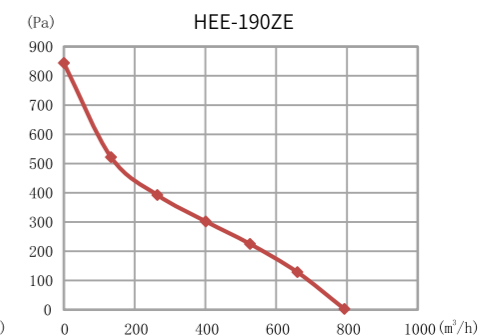
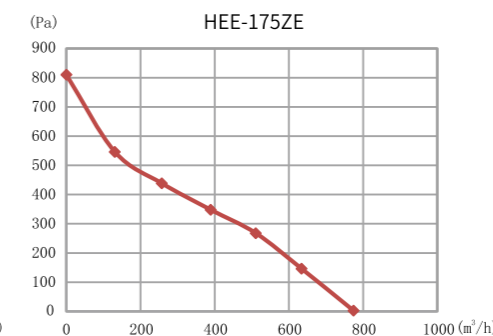
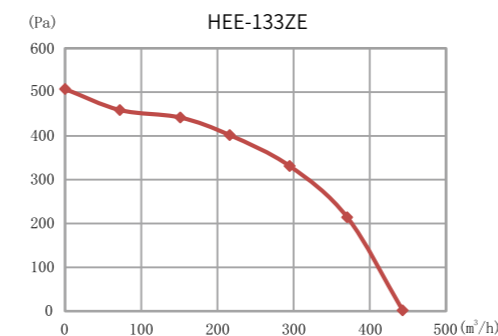
- ◆ 100% speed controllable and easy airflow adjustment.
- ◆ EC motor with automatic reset thermal overload protection.
- ◆ Permanently lubricated sealed bearings.
- ◆ Control input: 10VDC/PWM
- ◆ Protection: IP44 Insulation grade: F

Performance Parameter

Model No.	Voltage (V)	Current (Amps)	Power (W)	Speed (RPM)	Airflow (m ³ /h)	Air Pressure (Pa)	Net Weight (kgs)
HEE-133ZE	100~240	MAX.0.8	52	4500	443	507	0.7
HEE-175ZE	100~240	MAX.1.1	77	3900	774	810	1.4
HEE-190ZE	100~240	MAX.1.1	77	3200	793	844	1.3
HEE-220ZE	100~240	MAX.1.4	94	2900	949	678	1.5
HEE-225ZE	220~240	0.9	122	2900	1397	916	2.4
	110~120	1.1	125	2900	1397	916	
HEE-250ZE	220~240	0.9	150	3200	1314	902	2.4
HEE-280ZE	220~240	1.6	230	2800	1618	1098	3.0



Performance Curves




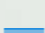



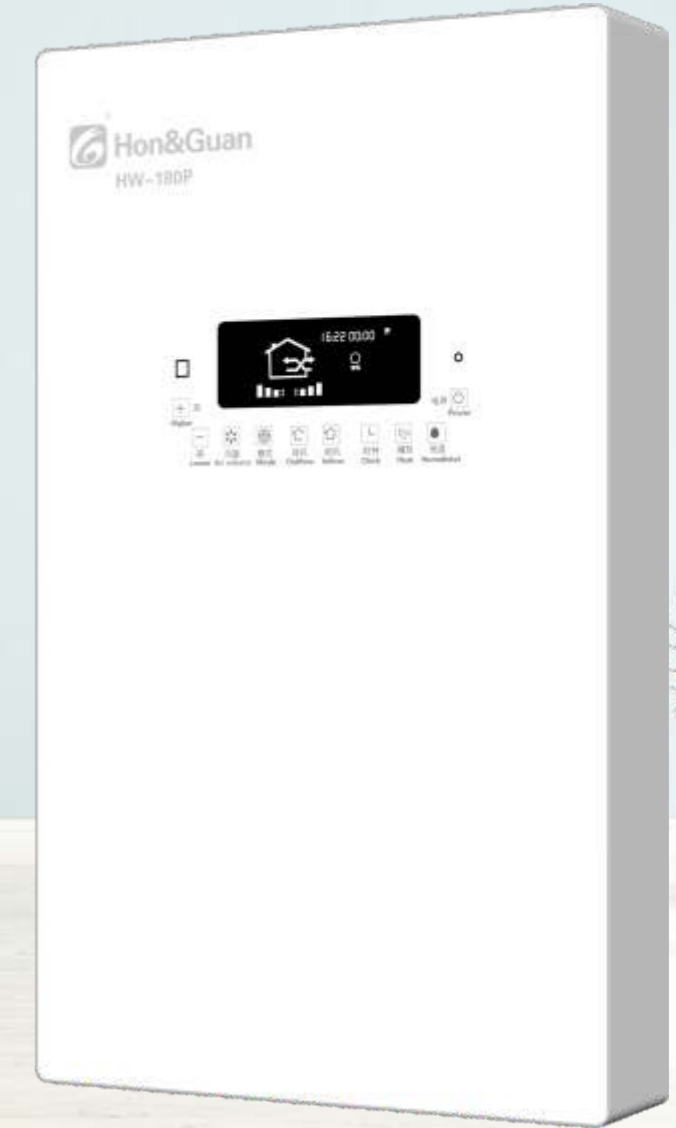
Dimensions(mm)

MODEL	ΦA	B	ΦC	D	ΦE	ΦF	ΦG
HEE-133ZE	39	4-M4	72-16	82±1	93	96	133
HEE-175ZE	39	4-M4	72-16	74±1	131	134	175
HEE-190ZE	58	4-M4	92-18	73.5±1	131	134	190
HEE-220ZE	58	4-M4	92-18	71±1	163.5	167.5	220
HEE-225ZE	58	4-M4	92-35	99±1	153	157	225
HEE-250ZE	58	4-M4	92-35	99±1	160.5	164.5	250
HEE-280ZE	58	4-M4	92-42	104±1	190	192	280

FRESH AIR SYSTEMS

Hon&Guan Fresh Air
Enjoy healthy life every day

-  Filter PM2.5, supply indoor with fresh air
-  Effective prevention from decoration pollution
-  Effective prevention from excessive carbon dioxide
-  Effective prevention from air-conditioner disease
-  Effective prevention from second-hand smoke



BIDIRECTIONAL FLOW WALL MOUNTED FRESH AIR PURIFIER

■ HW-160S ■ HW-200S

Product Features

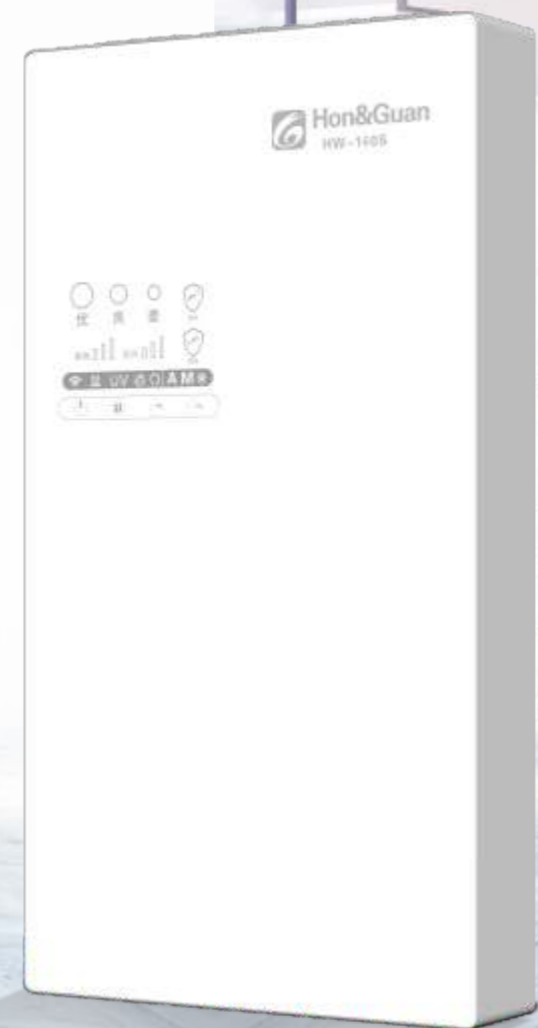
- ◆ **Oblique air flow outlet:** special design of air outlet which delivers fresh air at 45 degree angle to any reasonable area.
- ◆ **Slim body:** slim body design with the thickness of only 100mm, easy for installation and save space.
- ◆ **AI mode:** the purifier will enter AI mode automatically according to indoor air quality and fresh air requirement after power on.
- ◆ **Heat recovery:** the purifier is equipped with high efficient heat exchanger, the exchange rate is up to 78% and without condensation, it helps to save power consumption of air-conditioner.
- ◆ **Mixed air mode:** if the outdoor temperature is low, the valve of the fresh air system will close automatically and start the internal circulation purification in order to keep indoor temperature stable. When the power is off, the air outlet will be closed automatically to prevent the air from blowing backward to create secondary pollution.

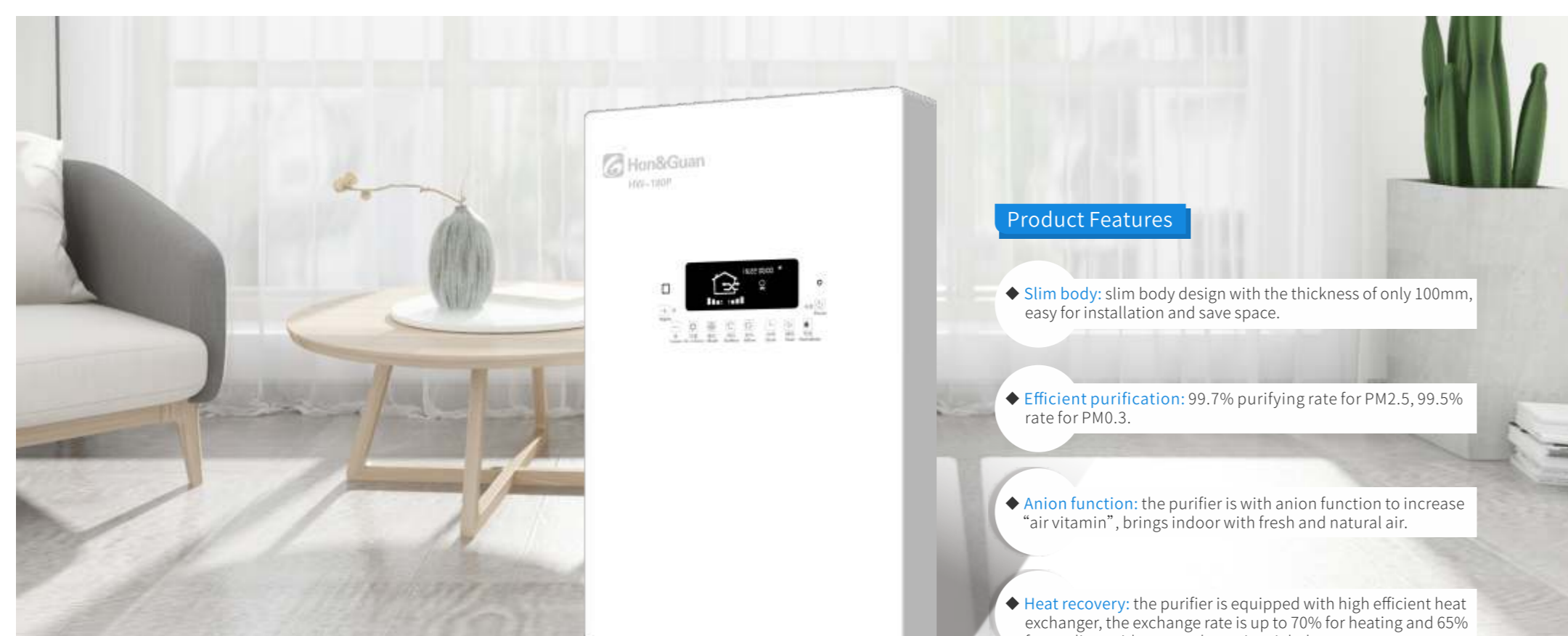
Performance Parameter

Model No.	HW-160S	HW-200S
Voltage/Frequency(V/Hz):	220/50	220/50
Power(W):	26	40
Airflow(m ³ /h):	160	200
Auxiliary Heating Power(W):	200	200
Heat Recovery Efficiency(%):	Cooling:65 Heating:70	
Filtration Rate(%):	99	99
Noise(dB):	32	42
Net Weight(kgs):	15.3	15.3
Applicable Area(m ²):	≤25	≤30
Size(mm):	760*410*100	760*410*100

APPLICATION

Children's room, study room, bedroom





Product Features

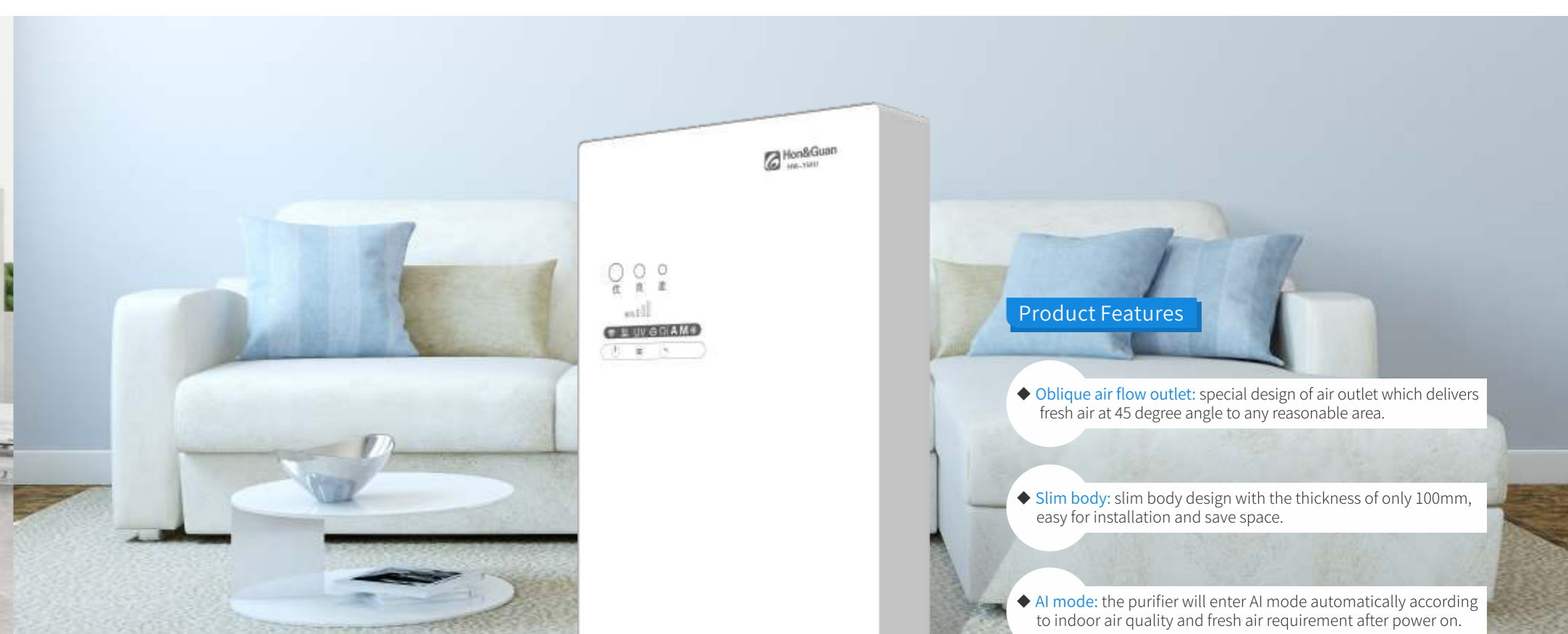
- ◆ **Slim body:** slim body design with the thickness of only 100mm, easy for installation and save space.
- ◆ **Efficient purification:** 99.7% purifying rate for PM2.5, 99.5% rate for PM0.3.
- ◆ **Anion function:** the purifier is with anion function to increase “air vitamin”, brings indoor with fresh and natural air.
- ◆ **Heat recovery:** the purifier is equipped with high efficient heat exchanger, the exchange rate is up to 70% for heating and 65% for cooling, without condensation, it helps to save power consumption of air-conditioner.

BIDIRECTIONAL FLOW WALL MOUNTED FRESH AIR PURIFIER

■ HW-180P ■ HW-220P

Performance Parameter

Model No.	Voltage /Frequency (V/Hz)	Power (W)	Airflow (m ³ /h)	Auxiliary Heating Power (W)	Heat Recovery Efficiency (%)	Filtration Rate (%)	Anion Concentration (unit/cm ²)	Noise (dB)	Net Weight (kgs)	Applicable Area (m ²)	Size (mm)
HW-180P	220/50	38	180	200	Cooling:65 Heating:70	99	<1000	32	14.3	≤25	700*420*100
HW-220P	220/50	42	220	200	Cooling:65 Heating:70	99	<1000	42	14.3	≤32	700*420*100



Product Features

- ◆ **Oblique air flow outlet:** special design of air outlet which delivers fresh air at 45 degree angle to any reasonable area.
- ◆ **Slim body:** slim body design with the thickness of only 100mm, easy for installation and save space.
- ◆ **AI mode:** the purifier will enter AI mode automatically according to indoor air quality and fresh air requirement after power on.
- ◆ **Mixed air mode:** if the outdoor temperature is low, the valve of the fresh air system will close automatically and start the internal circulation purification in order to keep indoor temperature stable. When it's power off, the air outlet will be closed automatically to prevent the air from blowing backward and bring secondary pollution.

WALL MOUNTED AIR PURIFIER

■ HW-150U

Performance Parameter

Model No.	Voltage /Frequency (V/Hz)	Power (W)	Airflow (m ³ /h)	Auxiliary Heating Power (W)	Filtration Rate (%)	Noise (dB)	Net Weight (kgs)	Applicable Area (m ²)	Size (mm)
HW-150U	220/50	22	150	200	99	≤40	12.1	≤20	640*410*100

BIDIRECTIONAL FLOW CEILING MOUNTED FRESH AIR PURIFIER

■ HM-260P

Product Features

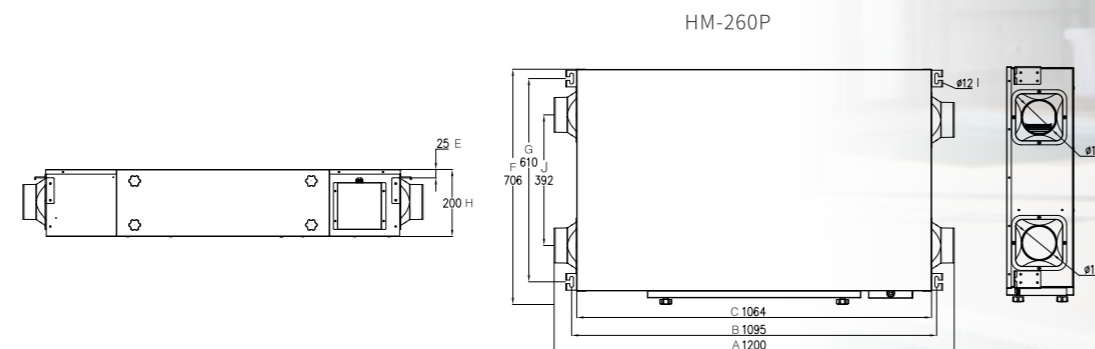
- ◆ **Triple filtration:** initial G4 filtration, HEPA 13 filtration, UV sterilization.
- ◆ **Environmental material:** the purifier is used environmental and durable alloy material.
- ◆ **Heat recovery:** the purifier exchanges dusty air discharged and fresh air inhaled to maintain comfortable indoor air temperature, this benefits the air-conditioner power consumption.
- ◆ **Slim and Silent:** the purifier body thickness is only 200mm, with compact structure and effective sound insulation, brings quiet and fresh environment to official and residential life.

Performance Parameter

Model No.	HM-260P
Voltage/Frequency(V/Hz):	220/50
Power(W):	140
Airflow(m ³ /h):	260
Static Pressure(Pa) :	120
Filtration Rate(%):	99
Heat Recovery Efficiency(%):	Cooling:70 Heating:73
Noise(dB):	34-38
Net Weight(kgs):	42
Applicable Area(m ²):	≤42
Dimension(mm):	1064*664*200



Dimensions(mm)



MODEL	A	B	C	D	E	F	G	H	I	J
HM-260P	1200	1085	1064	104	25	706	610	200	12	392

APPLICATION

Villa, house, apartment

BIDIRECTIONAL FLOW CEILING MOUNTED FRESH AIR PURIFIER

■ HM-360P ■ HM-500P

Product Features

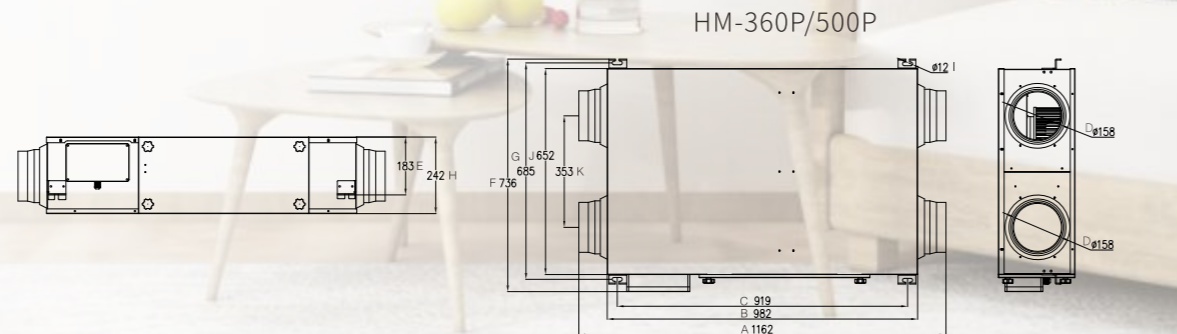
- ◆ **Triple filtration:** initial G4 filtration, HEPA 13 filtration, UV sterilization.
- ◆ **Environmental material:** the purifier uses environmental and durable alloy material.
- ◆ **Heat recovery:** the purifier exchanges dusty air discharged and fresh air inhaled to maintain comfortable indoor air temperature, this benefits the air-conditioner power consumption.

Performance Parameter

Model No.	HM-360P	HM-500P
Voltage/Frequency(V/Hz):	220/50	220/50
Power(W):	145	150
Airflow(m ³ /h):	360	500
Static Pressure(Pa):	150	170
Filtration Rate(%):	99	99
Heat Recovery Efficiency(%):	Cooling:70 Heating:73	Cooling:70 Heating:73
Noise(dB):	35-39	36-40
Net Weight(kgs):	43	43
Applicable Area(m ²):	≤86	≤119
Size(mm):	982*652*242	982*652*242



Dimensions(mm)



MODEL	A	B	C	D	E	F	G	H	I	J	K
HM-360P	1162	982	919	158	183	736	685	242	12	652	353
HM-500P	1162	982	919	158	183	736	685	242	12	652	353

BIDIRECTIONAL FLOW CEILING MOUNTED FRESH AIR PURIFIER

■ HM-360S ■ HM-500S

Product Features

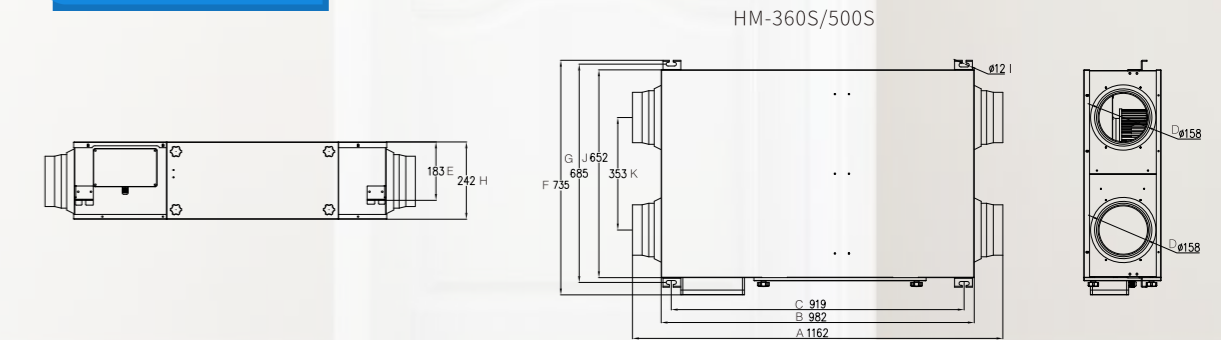
- ◆ **EBM Motor:** high performance EBM motor.
- ◆ **Triple filtration:** initial G4 filtration, HEPA 13 filtration, UV sterilization.
- ◆ **Environmental material:** the purifier uses environmental and durable alloy material.
- ◆ **Heat recovery:** the purifier exchanges dusty air discharged and fresh air inhaled to maintain comfortable indoor air temperature, this benefits the air-conditioner power consumption.

Performance Parameter

Model No.	HM-360S	HM-500S
Voltage/Frequency(V/Hz):	220/50	220/50
Power(W):	125	135
Airflow(m ³ /h):	360	500
Static Pressure(Pa):	200	250
Filtration Rate(%):	99	99
Heat Recovery Efficiency(%):	Cooling:70 Heating:73	Cooling:70 Heating:73
Noise(dB):	35-39	36-40
Net Weight(kgs):	43	43
Applicable Area(m ²):	≤86	≤119
Size(mm):	982*652*242	982*652*242



Dimensions(mm)



MODEL	A	B	C	D	E	F	G	H	I	J	K
HM-360S	1162	982	919	158	183	735	685	242	12	652	353
HM-500S	1162	982	919	158	183	735	685	242	12	652	353

CEILING MOUNTED AIR PURIFIER

■ HM-150U ■ HM-300U ■ HM-500U

Product Features

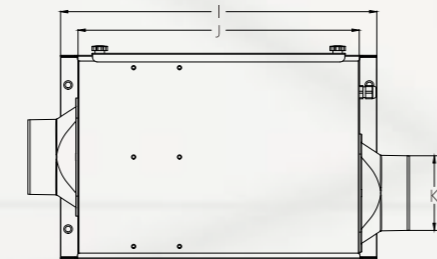
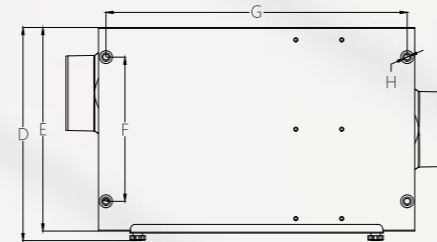
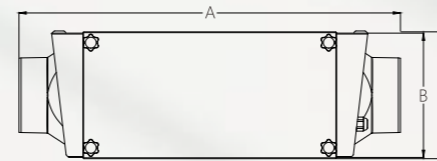
- ◆ Slim body, big airflow.
- ◆ Strong static pressure, long air delivery distance.
- ◆ Low air resistance, high filtration, filtration rate for PM2.5 is up to 99%.
- ◆ Low noise, brings quiet and fresh environment to official and residential life

Performance Parameter:

Model No.	Voltage /Frequency (V/Hz)	Power (W)	Airflow (m ³ /h)	Static Pressure (Pa)	Filtration Rate (%)	Net Weight (kgs)	Applicable Area (m ²)	Size (mm)
HM-150U	230/50	30	150	240	99	7.68	≤25	529*296*176
HM-300U	230/50	94	300	320	99	10.38	≤43	576*355*197
HM-500U	230/50	120	500	200	99	15.4	≤68	698*478*246

Dimensions(mm)

MODEL	A	B	C	D	E	F	G	H	I	J	K
HM-150U	529	172	176	296	282	200	418	4*Φ8	439	390	Φ103.5
HM-300U	576	193	197	355	342	250	456	4*Φ8	483	422	Φ146
HM-500U	698	242	246	478	464	360	552	4*Φ8	578	520	Φ195



CABINET TYPE AIR PURIFIER

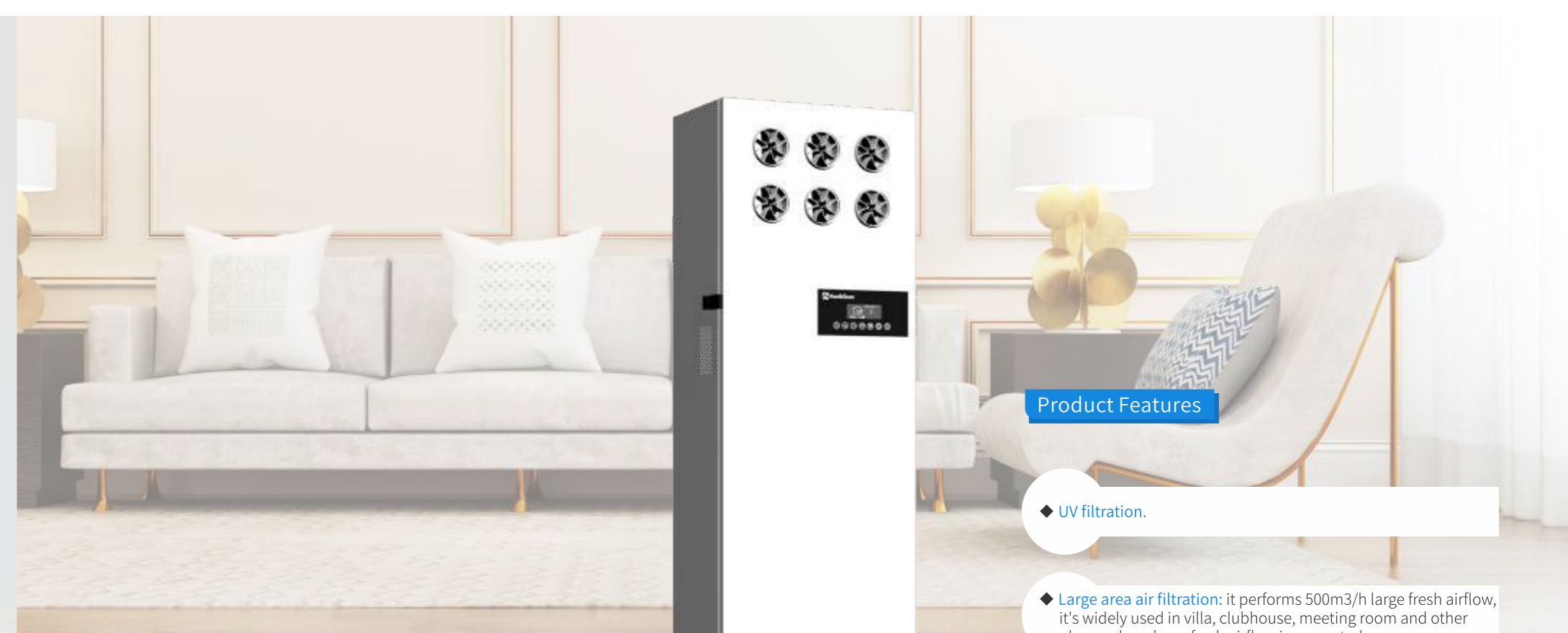
■ HC-500U

Performance Parameter

Model No.	Voltage /Frequency (V/Hz)	Power (W)	Airflow (m ³ /h)	Auxiliary Heating Power (W)	Filtration Rate (%)	Noise (dB)	Net Weight (kgs)	Applicable Area (m ²)	Size (mm)
HC-500U	220/50	≤55	500	1000	99	≤48	36	≤120	1280*420*280

Product Features

- ◆ UV filtration.
- ◆ Large area air filtration: it performs 500m³/h large fresh airflow, it's widely used in villa, clubhouse, meeting room and other places where large fresh airflow is requested.
- ◆ 360 degree fresh air supply: unique rotary air outlet is used to supply fresh air, covering every corners, creating the living space full of oxygen.



BIDIRECTIONAL FLOW CABINET TYPE FRESH AIR PURIFIER

■ HC-600P ■ HC-800P

Product Features

- ◆ **UV filtration.**
- ◆ **Large area air filtration:** it performs 600/800m³/h large fresh airflow, it's widely used in villa, clubhouse, meeting room and other places where large fresh airflow is requested.
- ◆ **360 degree fresh air supply:** unique rotary air outlet is used to supply fresh air, covering every corners, creating the living space full of oxygen.
- ◆ **Heat recovery:** the purifier exchanges dusty air discharged and fresh air inhaled to maintain comfortable indoor air temperature, this benefits the air-conditioner power consumption.

Performance Parameter:

Model No.	HC-600P	HC-800P
Voltage/Frequency(V/Hz):	220/50	220/50
Power(W):	150	200
Airflow(m ³ /h):	600	800
Auxiliary Heating Power(W):	1500	2000
Filtration Rate(%):	99	99
Heat Recovery Efficiency(%):	Cooling: 68 Heating: 72	
Noise(dB):	35	48
Net Weight(kgs):	85	100
Applicable Area(m ²):	≤120	≤160
Size(mm):	1600*480*430	910*620*640

APPLICATION

Meeting room, living room, classroom



ELEVATOR VENTILATION FAN

■ HP-030M

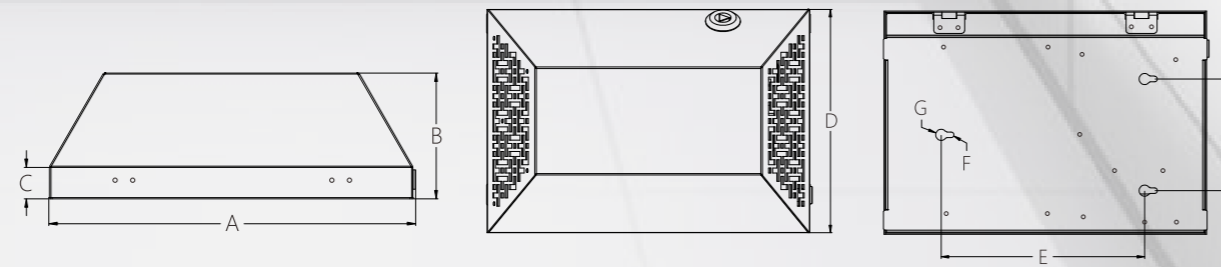
Product Features

- ◆ **Separate installation:** no need any change to the elevator.
- ◆ **Air purifier function.**
- ◆ **Motor:** DC brushless blower, big airflow, high air pressure and low power consumption.
- ◆ **Casing:** made of low density aluminum, strong corrosion resistance and good insulation property.

Performance Parameter:

Model No.	HP-030M
Voltage/Frequency(V/Hz)	230/50
Current(A):	0.04
Power(W):	4
Airflow(m ³ /h):	25
Air Pressure(Pa):	78
Noise(dB):	39
Applicable Area(m ²):	2.96
Size(mm):	263*90*180

Dimensions(mm)



型号	A	B	C	D	E	F	G	H
HP-030M	263	90	23	180	164	Φ4.5	Φ9	90



VENTILATION ACCESSORIES



Double speed switch



EC Wired smart switch



Stainless air outlet



PVC+Aluminum flexible duct



Adaptor



Rotated and adjustable grille



Lintel device



Hoops



Check valve



Noise reduce duct



Adjustable grille



PE Flexible duct