


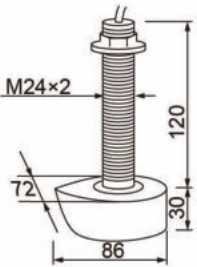



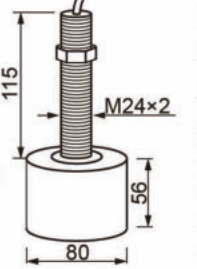
# Marine Transducer(Low Power)

**A-TD25**  


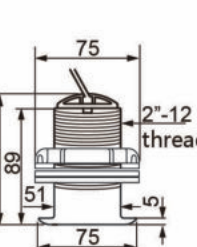
Frequency/Power: 50KHz&200KHz /600W  
Cable length/Pin: 10M/3P  
Mount: Thru-hull  
Material: Bronze

**A-TD26**  


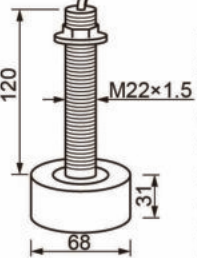
Frequency/Power: 50KHz&200KHz /600W  
Cable length/Pin: 10M/3P  
Mount: Thru-hull  
Material: Bronze

**A-PD204D**  


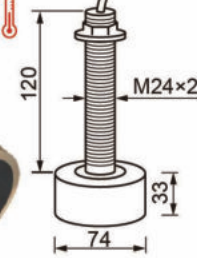
Frequency/Power: 50KHz&200KHz /600W  
50KHz/1000W  
200KHz/1000W  
Cable length/Pin: 10M/3P  
Material: Bronze

**A-P319**  


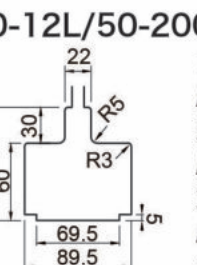
Frequency/Power: 50KHz&200KHz /600W  
Cable length/Pin: 10M/3P  
Mount: Thru-hull  
Material: Plastic

**A-TD28**  


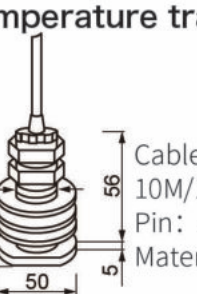
Frequency/Power: 50KHz&200KHz /600W  
Cable length/Pin: 10M/3P  
Mount: Thru-hull  
Material: Plastic

**TD28B/28P**  

Frequency/Power: 50KHz&200KHz /600W  
Cable length/Pin: 10M/Z108-8A  
Mount: Thru-hull  
Material: Bronze/Plastic


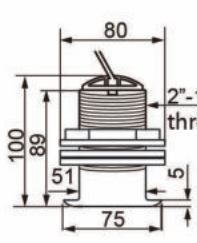
**A-TGM60-50-12L/50-200-12L/60-40-10L**  

Frequency/Power:  
**A-TGM60-50-12L** 50KHz/1000W  
**A-TGM50-200-12L** 200KHz/1000W  
**A-TGM60-40-10L** 40KHz/1000W  
Cable length: 12M  
Material: Rubber


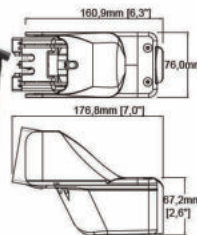
**Water temperature transducer**  

Cable length: 10M/15M  
Pin: 8P  
Material: Bronze


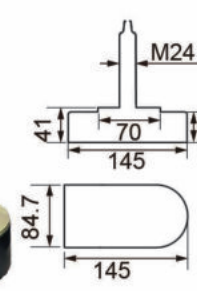
# Marine Transducer(NEW)

**A-B117**  


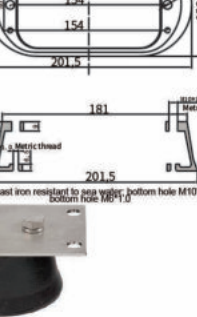
Frequency/Power: 50KHz&200KHz /600W  
Cable length/Pin: 10M/3P  
Mount: Thru-hull  
Material: Bronze

**A-TD66P**  


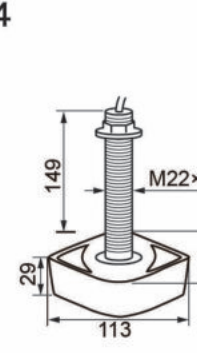
Frequency/Power: 50KHz&200KHz /600W  
Cable length/Pin: 10M/3P  
Mount: Transom  
Material: Plastic

**A-TD24B**  


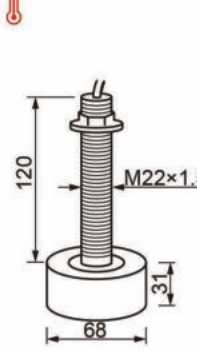
Frequency/Power: 200KHz/1KW  
Cable length/Pin: 10M/3P  
Mount: Thru-hull  
Material: Rubber

**A-TD33B**  


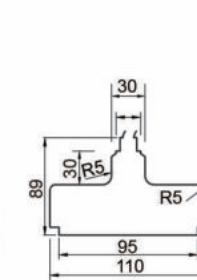
Frequency/Power: 200KHz/1.5KW  
Cable length/Pin: 10M/3P  
Mount: Thru-hull  
Material: Rubber

**A-TD500T-4**  

Frequency/Power: 50KHz&200KHz/600W  
Cable length/Pin: 10M/Z108-8A  
Mount: Thru-hull  
Material: Bronze

**A-TD502SS**  

Frequency/Power: 50KHz&200KHz /600W  
Cable length/Pin: 10M/Z108-8A  
Mount: Thru-hull  
Material: Stainless steel

**A-200B-8B**  

Frequency/Power: 200KHz/2KW  
Cable length: 20M  
Mount: Tank/Keel  
Material: Rubber

**Doppler speed log transducer A-DS80SS**  

The following models are available with fairing:

A-TD25 A-TD28 A-PD204 A-TGM-100-200-20L A-TGM-50-200-10L  
A-TD47T A-TD67T A-TD86





## 6" Navigational Echo Sounder

ES9000-P611S (Single channel)  
ES9000-P622S (Dual channel)



### Optional Transducer



Model	ES9000-P611S	ES9000-P622S
Display	6"	6"
Resolution	480*640px	480*640px
Frequency	200KHZ (Single channel)	200KHZ (Dual channel)
Processing	Digital Singal Processing(DSP)	
Output Power	600W-1000W	
Operating Voltage	DC 24V(11~35V)	
Sensitivity	-95dBm	
Accuracy	±1%	
Lowest Blind	0.2m	
Range	0.3~1000m	
Depth alarm	Depth, Voltage	
Expansion Mode	Dual frequency, Single frequency (high or low freq.), Zoom	
Expansion Rate	Auto Expansion, Manual Zoom, Bottom Lock	
background color	black, blue	
Sweep Speed	7steps(stop, 1/8, 1/4, 1/2, 1/1, 2/1, 3/1)	
SD card	Storage and replay function, software update	
NMEA input	IEC61162-1 (NMEA0183) RMC	
NMEA output	IEC61162-1(NMEA0183) DPT、DBT、GLL	
Language	Simplified Chinese, English, Traditional	
Serial port to print	Suitable for printer DPU-414	
Temperature	-10°C~+40°C	
Relative Humidity	10~90%	
IDENTIFICATION	ES9000 and EP series Certificated by CCS	

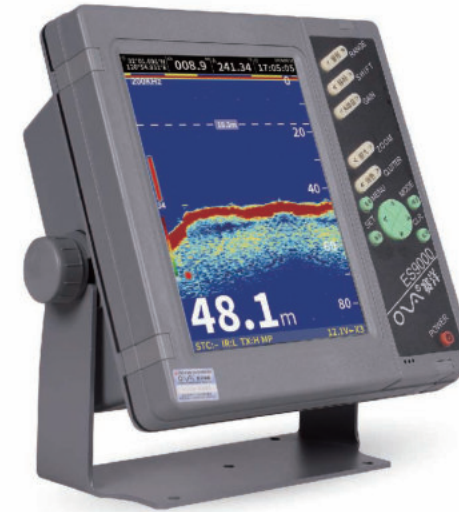
# Navigational Echo Sounder

## ES9000/EP SERIES

This series products adopt high-tech DSP digital signal processing technology, in line with IMO related performance standards, can achieve submarine depth and digital depth display.

## 8" Navigational Echo Sounder

ES9000-P811S (Single channel, Single transducer)  
ES9000-P822S (Dual channel, Double transducer)



- ▶ High contrast and brightness adjusting effect, suitable for use in bright light and at night;
- ▶ Advanced DSP high image supersonic digital processing technology, realizing the low blind spot and the high resolution echo;
- ▶ Full quick sampling, let every fish be shown;
- ▶ Dual frequency display, and multiple modes of background with human design;
- ▶ Stable performance, comparable with foreign brand products;
- ▶ Professional design, beautiful and fashionable, delicate and durable, containing multi-language menu display function.

### Optional Transducer



Model	ES9000-P811S	ES9000-P822S
Display	8"	8"
Resolution	800*600px	800*600px
Frequency	200KHZ (Single channel)	200KHZ (Dual channel)
Processing	Digital Singal Processing(DSP)	
Output Power	600W-1000W	
Operating Voltage	DC 24V(11~35V)	
Sensitivity	-95dBm	
Accuracy	±1%	
Lowest Blind	0.2m	
Range	0.3~1000m	
Depth alarm	Depth, Voltage	
Expansion Mode	Dual frequency, Single frequency (high or low freq.), Zoom	
Expansion Rate	Auto Expansion, Manual Zoom, Bottom Lock	
background color	black, blue	
Sweep Speed	7steps(stop, 1/8, 1/4, 1/2, 1/1, 2/1, 3/1)	
SD card	Storage and replay function, software update	
NMEA input	IEC61162-1 (NMEA0183) RMC	
NMEA output	IEC61162-1(NMEA0183) DPT、DBT、GLL	
Language	Simplified Chinese, English, Traditional	
Serial port to print	suitable for printer DPU-414	
Temperature	-10°C~+40°C	
Relative Humidity	10~90%	
IDENTIFICATION	ES9000 and EP series Certificated by CCS	



# 10" Navigational Echo Sounder

- EP1011X (Single channel, Single transducer)      ES9000-P1011S (Single channel, Single transducer)
- EP1010X (Single channel, Industrial interface)      ES9000-P1022S (Dual channel, Double transducer)
- EP1022X (Dual channel, Double transducer)
- EP1020X (Dual channel, Industrial interface)

- ▶ High contrast and brightness adjusting effect, suitable for use in bright light and at night;
- ▶ Advanced DSP high image supersonic digital processing technology, realizing the low blind spot and the high resolution echo;
- ▶ Full quick sampling, let every fish be shown;
- ▶ Dual frequency display, and multiple modes of background with human design;
- ▶ Stable performance, comparable with foreign brand products;
- ▶ Professional design, beautiful and fashionable, delicate and durable, containing multi-language menu display function.



## Optional Transducer



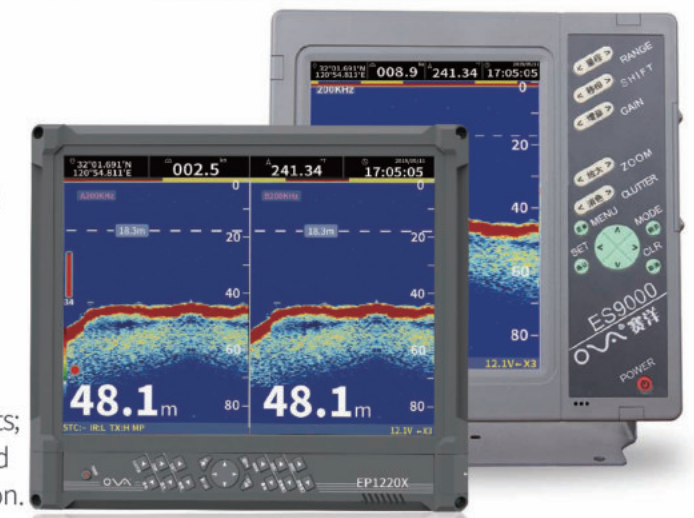
A-TGM100-200-20L      A-TGM50-200-10L      A-PD204D      A-200B-8B

Model	EP1011X/EP1010X (X series)	EP1022X/EP1020X(X series)	ES9000-P1011S/ES9000-P1022S(S series)
Display	10"	10"	10"
Frequency	200KHz(Single channel)	200KHz(Dual channel)	200KHz(Single channel/Dual channel)
Resolution	800*600px		
Processing	Digital Singal Processing(DSP)		
Output Power	1000W-3000W		
Operating Voltage	DC 24V(11~35V)		
Sensitivity	-95dBm		
Accuracy	±1%		
Lowest Blind	0.2m		
Range	0.3~1000m		
Depth alarm	Depth, Voltage		
Expansion Mode	Dual frequency, Single frequency (high or low freq.), Zoom		
Expansion Rate	Auto Expansion, Manual Zoom, Bottom Lock		
background color	black, blue		
Sweep Speed	7steps(stop, 1/8, 1/4, 1/2, 1/1, 2/1, 3/1)		
SD card	Storage and replay function, software update		
NMEA input	IEC61162-1 (NMEA0183) RMC		
NMEA output	IEC61162-1(NMEA0183) DPT、DBT、GLL		
Language	Simplified Chinese, English, Traditional		
Serial port to print	suitable for printer DPU-414		
Temperature	-10°C~+40°C		
Relative Humidity	10~90%		
IDENTIFICATION	ES9000 and EP series Certificated by CCS		

# 12" Navigational Echo Sounder

- EP1211X (Single channel, Single transducer)      ES9000-P1211S(Single channel, Single transducer)
- EP1210X (Single channel, Industrial interface)      ES9000-P1222S (Dual channel, Double transducer)
- EP1222X (Dual channel, Double transducer)
- EP1220X (Dual channel, Industrial interface)

- ▶ High contrast and brightness adjusting effect, suitable for use in bright light and at night;
- ▶ Advanced DSP high image supersonic digital processing technology, realizing the low blind spot and the high resolution echo;
- ▶ Full quick sampling, let every fish be shown;
- ▶ Dual frequency display, and multiple modes of background with human design;
- ▶ Stable performance, comparable with foreign brand products;
- ▶ Professional design, beautiful and fashionable, delicate and durable, containing multi-language menu display function.



## Optional Transducer



A-TGM100-200-20L      A-TGM50-200-10L      A-PD204D      A-200B-8B

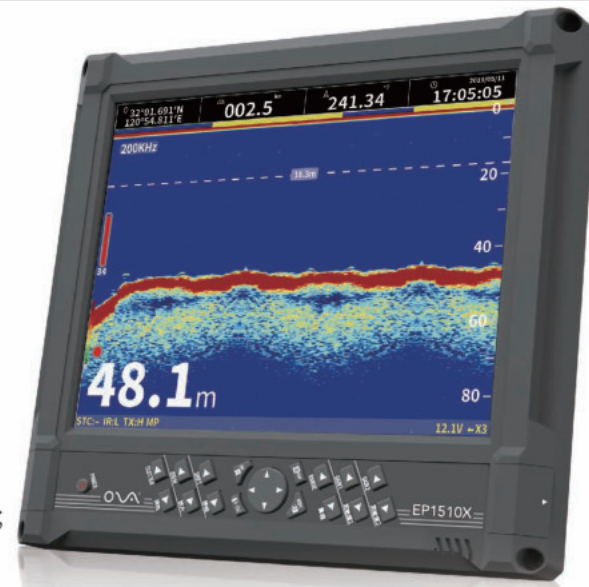
Model	EP1211X/EP1210X (X series)	EP1222X/EP1220X(X series)	ES9000-P1211S/ES9000-P1222S(S series)
Display	12"	12"	12"
Frequency	200KHz(Single channel)	200KHz(Dual channel)	200KHz(Single channel/Dual channel)
Resolution	800*600px		
Processing	Digital Singal Processing(DSP)		
Output Power	1000W-3000W		
Operating Voltage	DC 24V(11~35V)		
Sensitivity	-95dBm		
Accuracy	±1%		
Lowest Blind	0.2m		
Range	0.3~1000m		
Depth alarm	Depth, Voltage		
Expansion Mode	Dual frequency, Single frequency (high or low freq.), Zoom		
Expansion Rate	Auto Expansion, Manual Zoom, Bottom Lock		
background color	black, blue		
Sweep Speed	7steps(stop, 1/8, 1/4, 1/2, 1/1, 2/1, 3/1)		
SD card	Storage and replay function, software update		
NMEA input	IEC61162-1 (NMEA0183) RMC		
NMEA output	IEC61162-1(NMEA0183) DPT、DBT、GLL		
Language	Simplified Chinese, English, Traditional		
Serial port to print	suitable for printer DPU-414		
Temperature	-10°C~+40°C		
Relative Humidity	10~90%		
IDENTIFICATION	ES9000 and EP series Certificated by CCS		



# 15" Navigational Echo Sounder

- EP1511X (Single channel, Single transducer)
- EP1510X (Single channel, Industrial interface)
- EP1522X (Dual channel, Double transducer)
- EP1520X (Dual channel, Industrial interface)

- ▶ High contrast and brightness adjusting effect, suitable for use in bright light and at night;
- ▶ Advanced DSP high image super-sonic digital processing technology, realizing the low blind spot and the high resolution echo;
- ▶ Full quick sampling, let every fish be shown;
- ▶ Dual frequency display, and multiple modes of background with human design;
- ▶ Stable performance, comparable with foreign brand products;
- ▶ Professional design, beautiful and fashionable, delicate and durable, containing multi-language menu display function.



## Optional Transducer



A-TGM100-200-20L



A-TGM50-200-10L



A-PD204D



A-200B-8B

Model	EP1511X/EP1510X	EP1522X/EP1520X
Display	15"	15"
Resolution	1024*768px	1024*768px
Frequency	200KHz(Single channel)	200KHz(Dual channel)
Processing	Digital Singal Processing(DSP)	
Output Power	1000W-3000W	
Operating Voltage	DC 24V(11~35V)	
Sensitivity	-95dBm	
Accuracy	±1%	
Lowest Blind	0.2m	
Range	0.3~1000m	
Depth alarm	Depth, Voltage	
Expansion Mode	Dual frequency, Single frequency (high or low freq.), Zoom	
Expansion Rate	Auto Expansion, Manual Zoom, Bottom Lock	
background color	black, blue	
Sweep Speed	7steps(stop, 1/8, 1/4, 1/2, 1/1, 2/1, 3/1)	
SD card	Storage and replay function, software update	
NMEA input	IEC61162-1 (NMEA0183) RMC	
NMEA output	IEC61162-1(NMEA0183) DPT, DBT, GLL	
Language	Simplified Chinese, English, Traditional	
Serial port to print	suitable for printer DPU-414	
Temperature	-10°C~+40°C	
Relative Humidity	10~90%	
IDENTIFICATION	ES9000 and EP series Certificated by CCS	

# DI9000 Depth Instrument Display

After connecting the NMEA0183/NMEA2000 data from echo sounder or other equipment, the depth value will be displayed. With unit selection, shallow water alarm, data loss alarm and display brightness adjustment function.

- ▶ Easy installation
- ▶ RS422 data line connection
- ▶ Instant alarm function
- ▶ Timetable display function
- ▶ Connectible NMEA 2000 Network
- ▶ Brightness adjustable
- ▶ Waterproof grade IP67



Model	DI9000		
Power Supply	DC 24V (10~35V)		
Size(L×W×H)	107*127.4*46mm		
Weight	300g±2%		
Input format	NMEA2000: PGN128267 NMEA0183: DPT		
Working temperature	-15~+55°C		
Installation mode	Embedded Installation		
Protection level	IP67		
Interface	NMEA2000 RS-422		
Interface definition	1 VCC 4 CAN_L 6 RX+(RS422) 8 TX-(RS422)	2 GND 5 RX-(RS422) 7 TX+(RS422)	3 CAN_H

# Depth Instrument Display





# Electronics Chart System

---

**ECS9000 Series** Detailed satellite image map, electronic chart, AIS target information and AIS group management, strong alarm warning system, can be connected with radar, sonar, compass and other different kinds of sensors for multi-image display.

**IECS Series**



# IECS Series

# Electronics Chart System

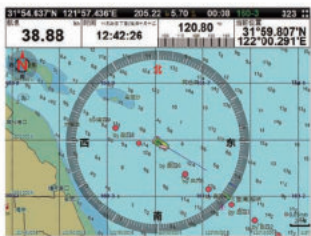


SIZE: 12" / 15" / 17" / 19 "

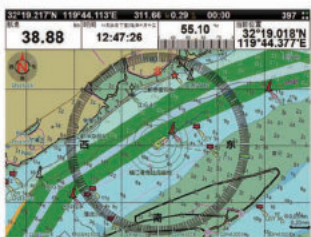
- ▶ Touch screen operation, remote control plus mouse and keyboard optional;
- ▶ Global chart, international standard S57/63, support satellite image chart;
- ▶ Support VGA or HDMI display;
- ▶ Built-in AIS optional.



SATELLITE IMAGE OVERLAY



S57/S63 CHART FORMAT



CJ57/CJ63 CHART FORMAT

Model	IECS-12	IECS-15	IECS-17	IECS-19
Display	12"	15"	17"	19"
Resolution	800*600px	1024*768px	1280*1024px	1280*1024px
Power Supply	DC 24V(11~35V)			
Power	High-performance, full isolated, PWM control of power supply			
Mount	Bracket Mount or Flush Mount			
PowerConsumption	≤20W			
Language	Simple Chinese, Traditional Chinese, English(Can be customized)			
Map Format	S57, S63 (ENC), CJ57, CJ63			
Map Display Mode	Heading Up, Course Up, Route Up, North Up, East Up, South Up, West Up			
Navigation Data	Bearing, Present Distance, Distance to the Destination, Yaw Distance, Yaw Angle, Navigation Arrow, Sailing Tim,ETA(Estimated Time of Arrival), Navigation Distance, Average Speed, Maximum Speed, Target Fishing Zone, etc.			
Others	Time, Depth, Wind Speed, Wind Direction, Simple Compass, etc.			
Data Display Mode	Top Display(Various Arrangement), Left Display, Right Display, Suspension Display			
User Data	≥50000 waypoints, 200 routes, 10000 waypoints/route 20000 tracks, 500 tracks/AIS. Plot data(point, line, plane)			
Chart program upgrade	USB upgrade, network upgrade			
AIS Functions	AIS Display, AIS Message, AIS Log, AIS Fleet Management, AIS Fishing Net Management, AIS Special Vessel Management, etc.			
System Alarm	Loss Alarm, Time Alarm, Low Voltage Alarm, High Voltage Alarm, No Positioning Alarm, Positioning Accuracy Alarm			
Navigational Alarm	Yaw Alarm, Arrival Alarm, Anchor Drag Alarm, Bridge Alarm, Danger Alarm, Precautionary Area Alarm, etc.			
Other Functions	Measuring Distance, Compass Superposition, Eccentric Setting, Calendar, Harbour, Tide, Odometer, Navigational Log, Find the map according to longitude and latitude, ect.			
Receiving Type	Customized Positioning Source (GPS, Beidou, Glonass, Galileo)			
Receiving Channel	GPS: 1575.42MHz Beidou: 1561.098MHz			
Positioning Time	Cold Start: 45s Hot Start: 15s			
Positioning Accuracy	GPS: <15m (95%) Beidou: Horizontal 25m(95%) Vertical 30m (95%)			
Input(NMEA0183)	GPS, AIS, Compass, Depth, Water Temperature, etc.			
Output(NMEA0183)	GPS: GGA, GLL, GSA, GSV, RMC, VTG, ZDA			
Operate	keyboard; remote control; touch screen			
Frequency	AIS 1: 87B/161.975MHz AIS 2: 88B/162.025MHz			
Bandwidth	25KHz			
Output Power	2W			
Modulation Mode	GMSK			

# ECS9000 Series

# Electronics Chart System

SIZE: 17" / 19" / 22"

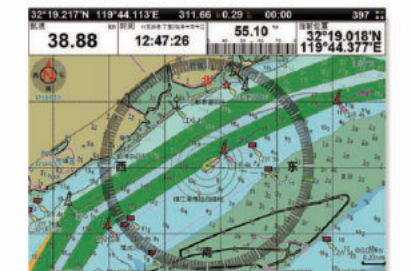
- ▶ The electronic chart is including global chart, supporting vector chart IHO, S57, S63 and RNC raster chart;
- ▶ Flexible expandability and many navigation sensor interfaces allow the ECS to be networked with AIS, GPS, Echo Sounder, Compass, Log, ARPA and others to consolidate the navigation system;
- ▶ The electronic chart can be overlaid with a variety of navigation data such as ship's position, heading, speed and others to facilitate safe and efficient navigation;
- ▶ Navigation data for the past 12 hours can be recorded and playback;
- ▶ CERTIFICATED by China Classification Society.



SPECIAL KEYBOARD AND MOUSE



S57/S63 CHART FORMAT



CJ57/CJ63 CHART FORMAT

Model	ECS9000-17	ECS9000-19	ECS9000-22
Display Unit	17"	19"	22"
Resolution	1280*1024px	1280*1024px	1680*1050px
Power Supply	DC 24V(11~35V)		
Power	High-performance, full isolated, PWM control of power supply		
Installation	Bracket or Flush Mount		
Language	Simplified Chinese, English		
Characteristics			
Chart Format	IHO S57, S63(ENC), RNC		
Display Modes	North Up, South Up, Course Up, Heading Up		
Display of Data	Own ship: Position, COG, SOG, Heading; Route: Planned route, Monitoring route; Others: Cursor Data, Target Information, Navigation Information, EBL, VRM		
Route/Waypoint	Routes ≥ 100; Waypoints ≥ 5000		
Alarm	Off track, Communication, Positioning, Collision, Alert area, danger		
Voyage Calculation	Range/Bearing to destination, Off track, TTG, ETA		
Navigation Log	≥12h		
Track Display	≥240min		
Other Functions	Measurement(Distance, Bearing, CPA/TCPA), User chart function, Log book, Night/day display modes, ARPA target display, etc		
Interface			
Input/Output	GPS(GGA, GLL, GSA, GSV, RMC, VTG)		
Input	AIS(VDM, ABM, BBM), Gyrocompass(HDT), Speed(VBM), Echo sounder(DBT, DPT), Water temperature indicator(MTW), Wind speed(MWV), Current indicator(VDR)		



# Marine Anemometer

Mi9000S/SR Series Mi9000 series anemometers are marine anemometer equipment specially designed for ships. It belongs to the type of wind-driven rotary shaft and meets the performance and functional requirements of ISO international standards.

## Mi9000S/SR Series

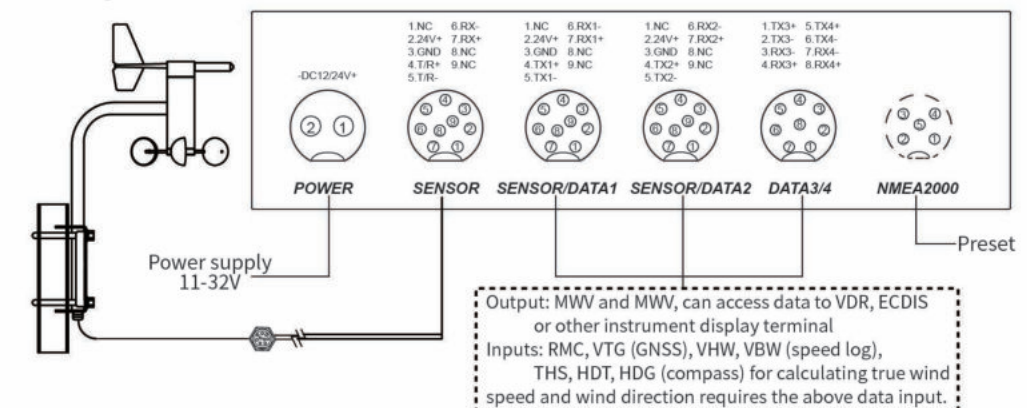
## Marine Anemometer

- ▶ The sensor shell is made of stainless steel, which has corrosion resistance, high temperature resistance, high strength, long life cycle, suitable for all kinds of ships, especially for coastal and ocean-going ship working environment.
- ▶ Using absolute encoder sensor, the acquisition is more accurate. The display adopts a 7-inch full-touch high-definition LCD screen, which is beautiful in design and easy to operate.
- ▶ The interface design adopts the international professional ship design style, with three display modes of real wind speed and direction, relative wind speed and direction, and ground wind speed and direction, which can be selected flexibly.
- ▶ Sunny, cloudy, dusk, and night 4 color matching modes, which have comfortable visual effects in different brightness environments. The automatic switching mode can automatically switch the mode according to the sunrise and sunset time, and can also set the switching time according to the needs.
- ▶ Multi-channel NMEA0183 input and output, can be connected to speed log, satellite compass, GNSS antenna, etc., and provide standard wind direction and wind speed data for other navigation equipment.
- ▶ With automatic/manual heating function, it can still operate normally in harsh environments (optional function).



Model	Mi9000 series
Power Supply	DC 24V
Wind direction range	0~359°
Wind direction accuracy	± 5°
Wind speed range	2~60m/s
Wind speed accuracy	±0.5m/s (wind speed <10m/s) ± V*5% (wind speed ≥10m/s)
Degree of protection	Sensor: IP56 Display unit: IP20

### Interconnection diagram







# Satellite Compass

SC9000/SC90/SC120/  
GC20

Accurate Heading, Position and Rate of Turn



- ▶ Pre-type carrier phase decoding technology, more precise orientation;
- ▶ Beidou/GPS dual-star system with faster directional speed;
- ▶ Advanced speed and course filtering technology to make the data more stable;
- ▶ Built-in gyro compensation system has better heading performance;
- ▶ It has the characteristics of fast start, signal recapture, heading update up to 50 times per second, and turning rate up to 90°/s;
- ▶ Multi-channel standard NMEA0183 output, providing high-stability, high-precision ship heading data and positioning data for Radar, ARPA, ECDIS, AIS, Chart Plotter, Autopilot, Sonar and other marine navigation equipment;
- ▶ Excellent industrial product design, stylish appearance, easy installation;
- ▶ The full-touch compass display is equipped with multiple display modes, the data is more intuitive, and the equipment is more convenient;
- ▶ Maintenance free and no recurring cost as there are no mechanical parts;
- ▶ CERTIFICATED of Marine Product by China Classification Society (CCS).



## GC20

## Satellite Compass

General	
Baseline length	20CM
Heading Accuracy	1° RMS
Attitude accuracy	Pitch/ Roll: 0.4° RMS
Cold start	<2 min
Position Accuracy	2.5 m
First Positioning time	Cold start: ≤32s Hot start: ≤1s Recapture: ≤1s
Speed measurement accuracy	GPS+BDS : 0.1m/s
Interface	
Number of ports	NMEA0183 Data interface×1 CAN×1 (Preset)
Data sentences	RMC, VTG, GGA, GSA, GSV, GLL, ZDA, HDT, ROT, THS
Power Supply	
	11~32V
Environmental condition	
Temperature	-30°C~+70°C
Degree of protection	Antenna unit IP56; Junction box IP20
Vibration	IEC60945

• Specifications may be subject to change without notice.

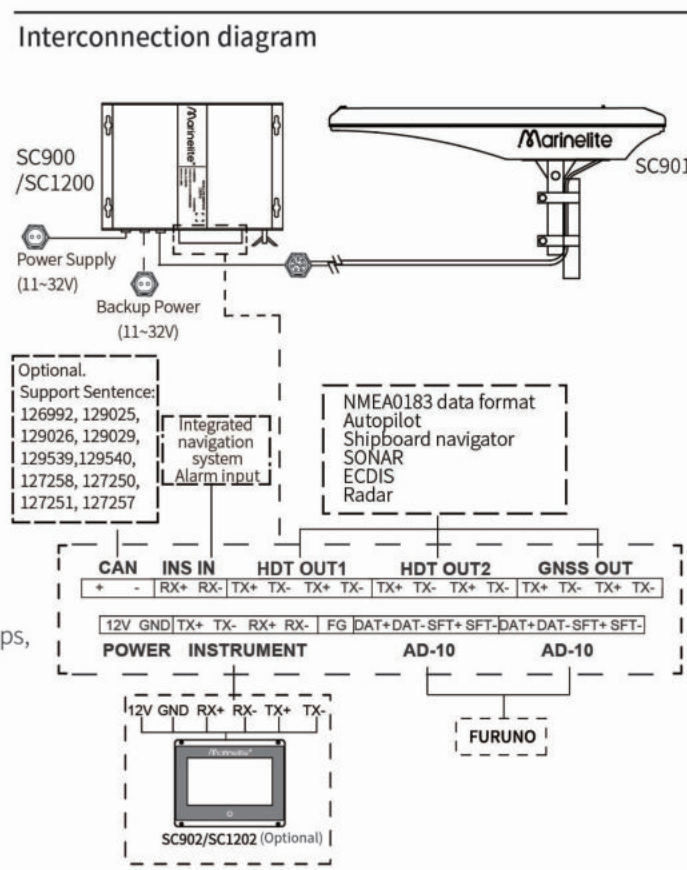


# SC90

# Satellite Compass



General	
Frequency	B1, L1, G1
Baseline length	60CM
Heading Accuracy	0.4° RMS
Attitude accuracy	Pitch/ Roll: 0.4° RMS
Cold start	<2 min
Position Accuracy	2.5 m
First Positioning time	Cold start: ≤32s Hot start: ≤1s Recapture: ≤1s
Speed measurement accuracy	GPS+BDS: 0.1m/s
Interface	
Number of ports	NMEA0183 data interface ×6 GNSS output ×2, fixed at 9600bps HDT output ×2, default 38400, adjustable HDT and GNSS output ×2, default 4800bps, adjustable AD-10 ×2 Display instrument ×1 CAN ×1 (Optional) Alarm input×1
Data sentences	RMC, VTG, GGA, GSA, GSV, GLL, ZDA, HDT, ROT, THS
Display unit (Optional)	
Screen	5"/7"
Resolution	800*480
Display mode	Compass + data, heading mode, positioning data mode, ROT mode
Power Supply	
	11~32V
Environmental condition	
Temperature	-30°C~+70°C
Degree of protection	Antenna unit IP56; Junction box IP20
Vibration	IEC60945



• Specifications may be subject to change without notice.

# SC120

# Satellite Compass



General	
Frequency	B1, L1, G1
Baseline length	110CM
Heading Accuracy	0.2° RMS
Attitude accuracy	Pitch/ Roll: 0.3° RMS
Cold start	<2 min
Position Accuracy	2.5 m
First Positioning time	Cold start: ≤32s Hot start: ≤1s Recapture: ≤1s
Speed measurement accuracy	GPS+BDS: 0.1m/s
Interface	
Number of ports	NMEA0183 data interface ×6 GNSS output ×2, fixed at 9600bps HDT output ×2, default 38400, adjustable HDT and GNSS output ×2, default 4800bps, adjustable AD-10 ×2 Display instrument ×1 CAN ×1 (Optional) Alarm input×1
Data sentences	RMC, VTG, GGA, GSA, GSV, GLL, ZDA, HDT, ROT, THS
Display unit (Optional)	
Screen	5"/7"
Resolution	800*480
Display mode	Compass + data, heading mode, positioning data mode, ROT mode
Power Supply	
	11~32V
Environmental condition	
Temperature	-30°C~+70°C
Degree of protection	Antenna unit IP56; Junction box IP20
Vibration	IEC60945

• Specifications may be subject to change without notice.

