



www.7-Mars.com / Distributor

EXPLOSION PROOF LIGHTING
& EXPLOSION PROOF EQUIPMENT



About Us



Crown Extra, was founded since 2011 to manufacture and supply explosion proof equipments.

Our complete product range including lighting products, panel distribution, enclosures, fixtures, fittings, control stations, receptacles, etc, for the provision of hazardous area.

Certified to ISO 9001:2008, ISO14001:2004 and OHSAS18001,our commitment to quality and the environment has never been more apparent. Crown

Application

Gas Station



Street Light



Medical



Off Shore



Mining



Facory



Oil Refinery



Power Generation



Certificates



GYD680 series 30-160W Explosion proof Led Light

- 1 GYD680 Series (30-160W)
- 2 GYD780 Series (30-150W)
- 3 GYD620 Series (20-240W)
- 4 GYD720 Series (20-240W)
- 5 GYD210 Series (20-240W)
- 6 GYD210Z Series (20-240W)



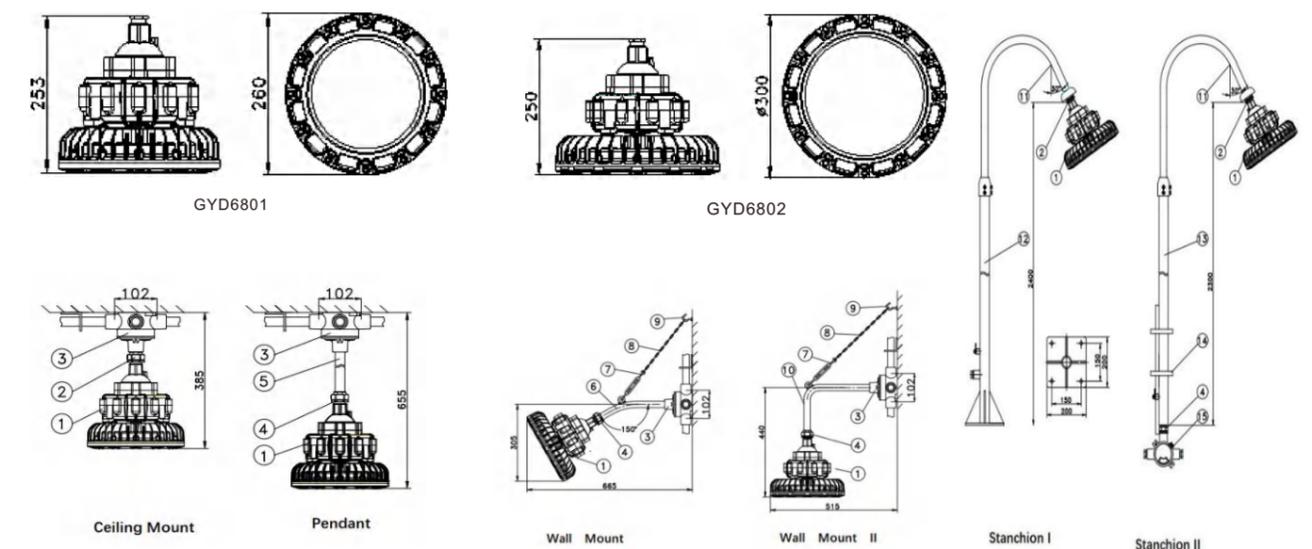
■ Features:

- Zone 1&2, Zone 21&22
- Instant on crisp white light output
- High efficiency drivers and LEDs provide, low cost operation in harsh and heavy industrial applications
- Isolated LED compartment reduces temperature within driver housing
- Dense cooling fins design enhances airflow for greater heat dissipation
- 5 year fixture warranty

Technical Parameters

Type	GYD6801	GYD6802
European (ATEX) 	CE 1282Ex II 2G Ex d IIC Gb	
Gas and Dust	CE 1282Ex II 2D Ex tb Db	
Input voltage	100-240VAC, 50-60Hz	
Power consumption [W]	20~100	120~160
Luminaire efficiency [Lm/W]	120-130	
Degree of protection	IP66	
Size [mm]	260*260*250	300*300*250
Weight [kg]	7.25	8.6
Mounting Styles	Pendant; Ceiling; Wall Bracket; Stanchion	

Dimension & Installation [mm]



GYD780 series 30-150W Explosion proof Led Light



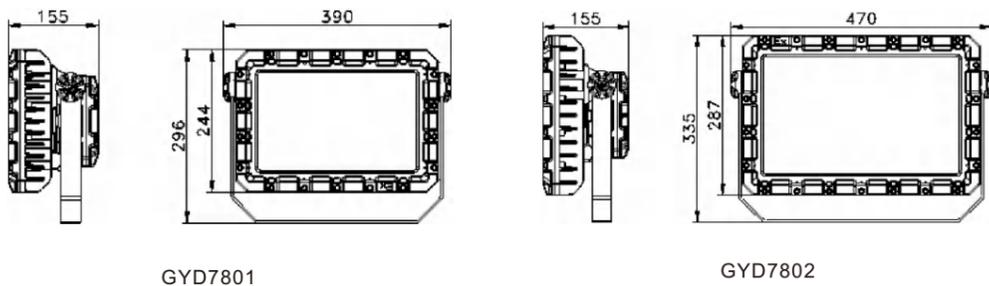
■ Features:

- Zone 1&2, Zone 21&22
- Instant on crisp white light output
- High efficiency drivers and LEDs provide, low cost operation in harsh and heavy industrial applications
- Isolated LED compartment reduces temperature within driver housing
- Dense cooling fins design enhances airflow for greater heat dissipation
- 5 year fixture warranty

Technical Parameters

Type	GYD7801	GYD7802
European (ATEX) Gas and Dust	CE 1282Ex II 2G Ex d IIC Gb CE 1282Ex II 2D Ex tb Db	
Input voltage	100-240VAC, 50-60Hz	
Power consumption [W]	20~100	120~150
Luminaire efficiency [Lm/W]	120-130	
Degree of protection	IP66	
Size [mm]	390*250*155	470*290*155
Weight [kg]	10.85	13
Mounting Styles	Pendant; Ceiling; Wall Bracket; Stanchion	

Dimension & Installation [mm]



GYD620 series 20-240W Explosion proof Led Light



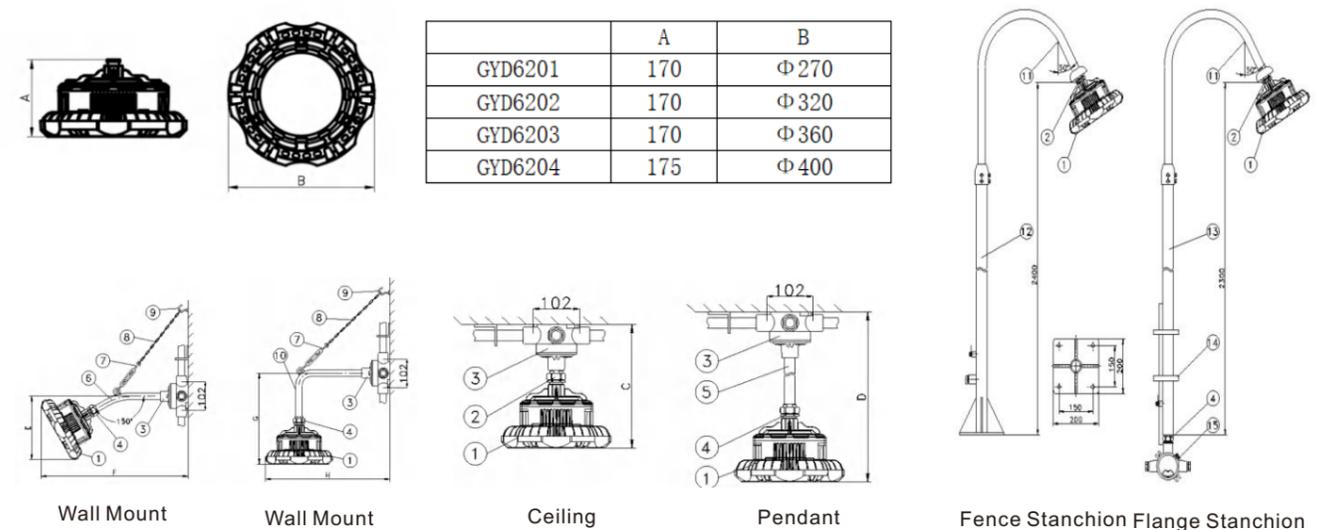
■ Features:

- Zone 1&2, Zone 21&22
- Instant on crisp white light output
- High efficiency drivers and LEDs provide, low cost operation in harsh and heavy industrial applications
- Isolated LED compartment reduces temperature within driver housing
- Dense cooling fins design enhances airflow for greater heat dissipation
- 5 year fixture warranty

Technical Parameters

Type	GYD6201	GYD6202	GYD6203	GYD6204
European (ATEX) Gas and Dust	CE 1282Ex II 2G Ex d e mb IIC Gb CE 1282Ex II 2D Ex tb Db			
Input voltage	100-240VAC, 50-60Hz			
Power consumption [W]	20~70	80~120	150~200	210~240
Luminaire efficiency [Lm/W]	120-130			
Degree of protection	IP66			
Size [mm]	270*270*170	320*320*170	360*360*170	400*400*175
Weight [kg]	5.25	6.5	8.6	10.7
Mounting Styles	Pendant; Ceiling; Wall Bracket; Stanchion			

Dimension & Installation [mm]



GYD720 series

20-240W Explosion proof Led Light



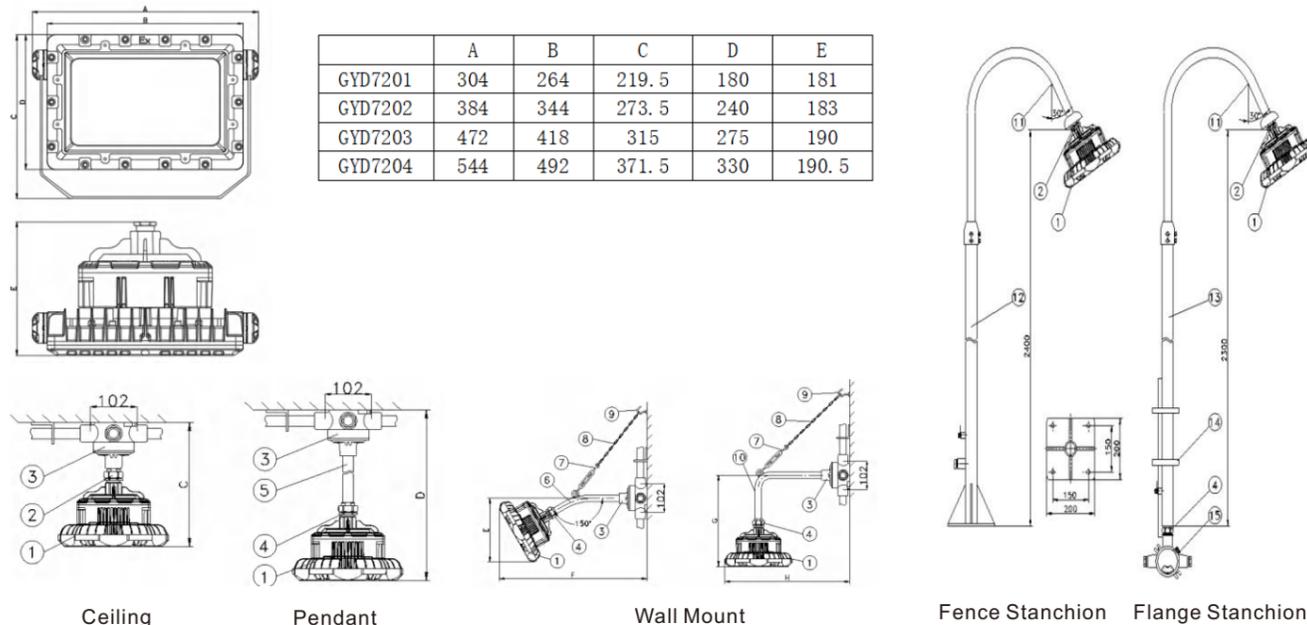
■ Features:

- Zone 1&2, Zone 21&22
- Instant on crisp white light output
- High efficiency drivers and LEDs provide, low cost operation in harsh and heavy industrial applications
- Isolated LED compartment reduces temperature within driver housing
- Dense cooling fins design enhances airflow for greater heat dissipation
- 5 year fixture warranty

Technical Parameters

Type	GYD7201	GYD7202	GYD7203	GYD7204
European (ATEX) Gas and Dust	CE 1282Ex II 2G Ex d e mb IIB Gb CE 1282Ex II 2D Ex tb Db			
Input voltage	100-240VAC, 50-60Hz			
Power consumption [W]	20~100	120~150	150~200	210~240
Luminaire efficiency [Lm/W]	120-130			
Degree of protection	IP66			
Size [mm]	304*180*181	384*240*183	472*275*190	544*330*190
Weight [kg]	5.5	8.85	12.2	15.5
Mounting Styles	Pendant; Ceiling; Wall Bracket; Stanchion			

Dimension & Installation [mm]



GYD210 series

20-240W Explosion proof Led Light



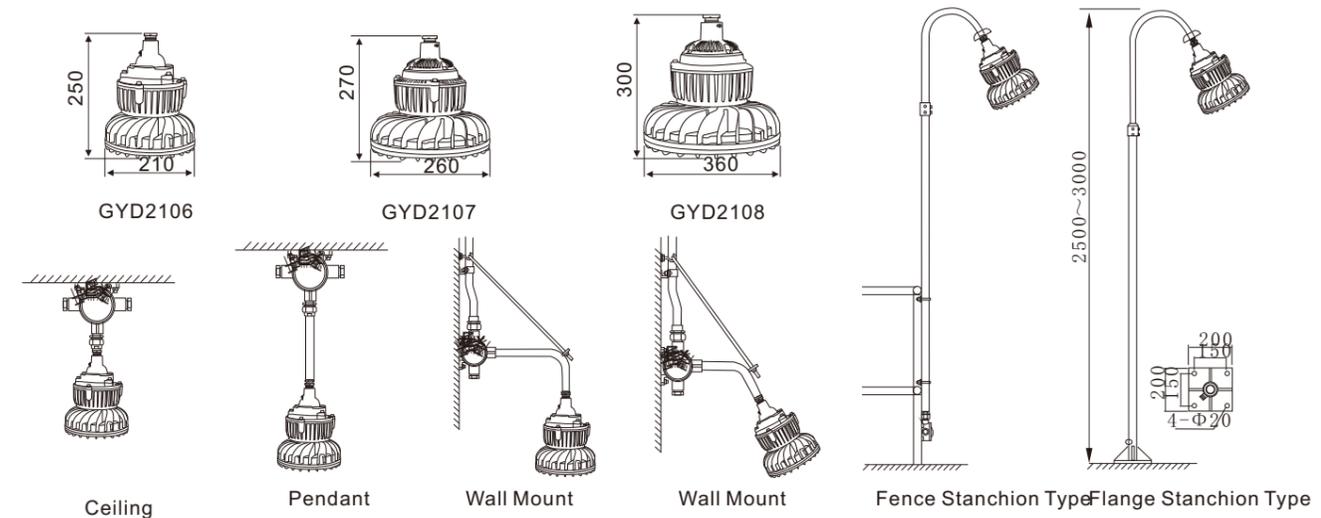
■ Features:

- Zone 1&2, Zone 21&22
- Instant on crisp white light output
- High efficiency drivers and LEDs provide, low cost operation in harsh and heavy industrial applications
- Isolated LED compartment reduces temperature within driver housing
- Dense cooling fins design enhances airflow for greater heat dissipation
- 5 year fixture warranty

Technical Parameters

Type	GYD2106	GYD2107	GYD2108
European (ATEX) Gas and Dust	CE 1282Ex II 2G Ex d IIC Gb CE 1282Ex II 2D Ex tb Db		
Input voltage	100-240VAC, 50-60Hz		
Power consumption [W]	20~50	60~100	120~240
Luminaire efficiency [Lm/W]	100-120		
Degree of protection	IP66		
Size [mm]	210*210*250	260*260*270	320*320*310
Weight [kg]	4.5	5.0	9.1
Mounting Styles	Pendant; Ceiling; Wall Bracket; Stanchion		

Dimension & Installation [mm]



GYD210Z series

20-240W Explosion proof Led Light



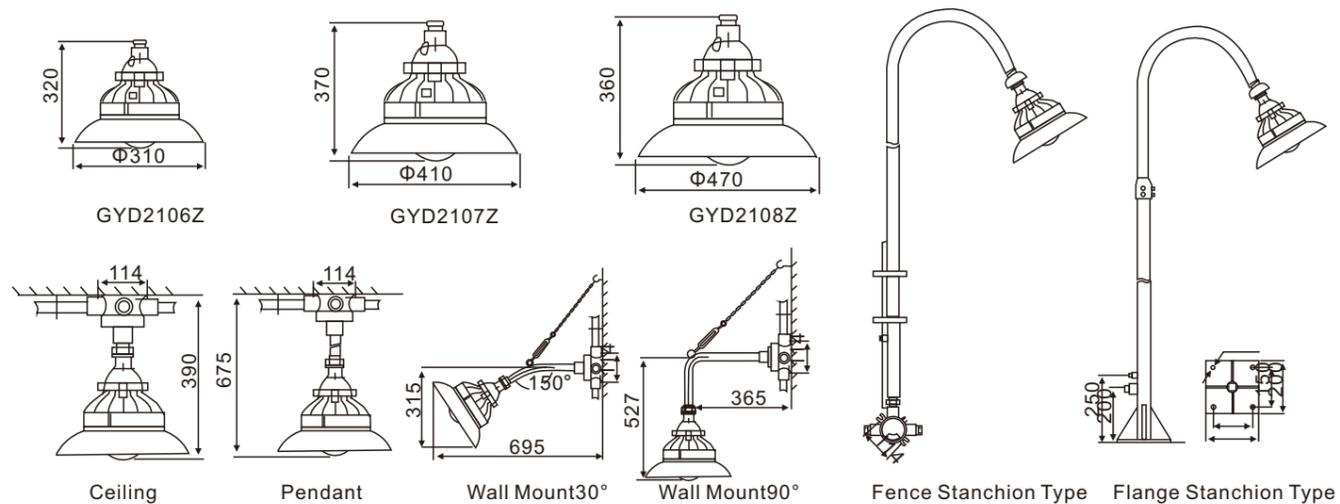
■ Features:

- Zone 1&2, Zone 21&22
- Instant on crisp white light output
- High bay reflector with anti-glare performance
- High efficiency drivers and LEDs provide, low cost operation in harsh and heavy industrial applications
- Isolated LED compartment reduces temperature within driver housing
- Dense cooling fins design enhances airflow for greater heat dissipation
- 5 year fixture warranty

Technical Parameters

Type	GYD2106Z	GYD2107Z	GYD2108Z
European (ATEX) 	CE 1282Ex II 2G Ex d IIC Gb		
Gas and Dust	CE 1282Ex II 2D Ex tb Db		
Input voltage	100-240VAC, 50-60Hz		
Power consumption [W]	20~50	60~100	120~240
Luminaire efficiency [Lm/W]	100-120		
Degree of protection	IP66		
Size [mm]	310*310*320	410*410*370	470*470*360
Weight [kg]	5.2	6.1	10.6
Mounting Styles	Pendant; Ceiling; Wall Bracket; Stanchion		

Dimension & Installation [mm]



Explosion Proof Portable Light

7 Flashlight (3-9W)

8 Worklight (30W/2000W HID)

Flashlight series Explosion proof Flashlight

Worklight series Explosion proof Work Light



Technical Parameters

Type	GYD7621	GYD7210	GYD7101
European (ATEX)	CE 1282 ^{Ex} II 2G Ex d IIC		
IP rate	IP65	IP68	IP68
Light source	Led	Led	Led
Power consumption	1*3W	1*3W	3*3W
Work Voltage [V]	3.7	7.4	11.1
Rated capacity [mAh]	2200	2200	4400
Charging time [h]	4~5	4~5	4~5
Battery life [circle]	1000		
Work Mode	Work, Strong	Work, Strong, Flash	Work, Strong, Flash
Discharging time [h]	≥16	≥16	≥16
	≥8	≥8	≥8
Size [mm]	(Head:35)26*148	(Head:40) 26*208	69*162
Weight [g]	310	300	1300

■ Features:

- Zone 1&2, Zone 21&22
- High hardness aluminum alloy shell, surface sandblasted anodized, beautiful appearance
- Lithium-ion battery, no memory, large capacity, long life, stable performance, low self-discharge rate
- Bright light, working light, stroboscopic three modes adjustable
- LED light source for long life
- Good sealing performance with waterproof and dustproof function
- Small size and light weight, easy to carry.



Technical Parameters

Type	GYD814	GYD630
European (ATEX)	CE 1282 ^{Ex} II 2G Ex d IIC	
Rated Voltage	24VDC	220VAC
IP rate	IP65	IP65
Light source	LED	HID
Power consumption	10*3W	4*500W
Rated capacity [mAh]	20000	2000W/15L Motor Generator
Charging time [h]	16	/
Discharging time/Working time [h]	30	13

■ Features:

- Zone 1&2, Zone 21&22
- Die cast aluminum housing with epoxy coated for beautiful appearance;
- The lighting angle can be adjusted by 120 degrees. The bottom of the light box is equipped with easy-to-move wheels.
- Lamp head can be adjusted up and down, 360° rotation, full range of lighting
- Use an air pump or manual valve to control the lift
- The bottom of the generator set is equipped with universal wheels, which can be run on the pavement and railroad tracks of the pit. Small size and light weight, easy to carry.

Linear Ex-Proof Lighting

- 9 BPY Series
- 10 BHY Series
- 11 BYS Series
- 12 GYD93 Series

BPY series

Explosion proof Linear Light

■ Features:

- Zone 1&2, Zone 21&22
- Die casting aluminum shell, with high voltage electrostatic plastic-spray surface.
- Easy to change the tube, just remove the end cover to change.
- Glass lamp shade, stainless steel exposed fastener.
- Steel pipe wiring or cable wiring.



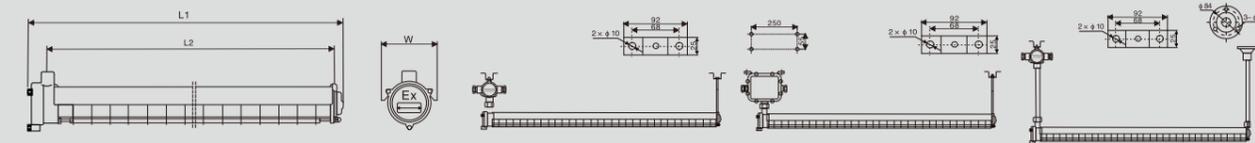
Technical Parameters

European (ATEX) CE 1282Ex II 2G Ex d IIB T4Gb	
Input voltage	220VAC, 50-60Hz
Degree of protection	IP54
Mounting Styles	Pendant; Ceiling; Stanchion

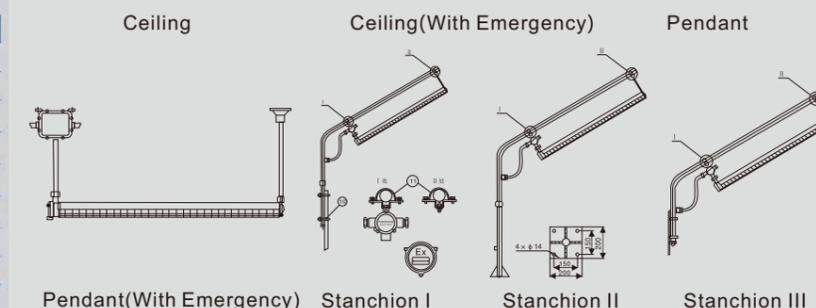
Type	BPY-600 (Single/Double)	BPY-900 (Single/Double)	BPY-1200 (Single/Double)
T8 Fluorescent tube	(1~2)*18Watt	(1~2)*30Watt	(1~2)*36Watt
LED tube	(1~2)*8Watt	(1~2)*12Watt	(1~2)*16Watt
Size	L710*W145 For Single L710*W210 For Double	L1050* W145 For Single L1050* W210 For Double	L1350* W145 For Single L1350*W210 For Double

Type	BPY-T5-600 (Single/Double)	BPY-T5-1200 (Single/Double)
T5 Fluorescent tube	(1~2)*14Watt	(1~2)*28Watt

Dimension & Installation [mm]



Type号	L1	L2	W
BPY-1×20	710	635	145
BPY-1×30	1050	940	145
BPY-1×40	1320	1235	145
BPY-LED 1×16	1320	1235	145
BPY-2×20	710	635	210
BPY-2×30	1050	940	210
BPY-2×40	1320	1235	210
BPY-LED 2×16	1320	1235	210
BPY			



BHY series

Explosion proof Linear Light

BYS series

Explosion proof Linear Light



■ Features:

- Zone 2 & Zone 22
- SMC mold pressure shell, high strength, impact resistance, corrosion proof
- Lampshade is formed by polycarbonate injection molding, high transmittance, strong ability to withstand shocks
- Lightweight and slim line construction

Technical Parameters

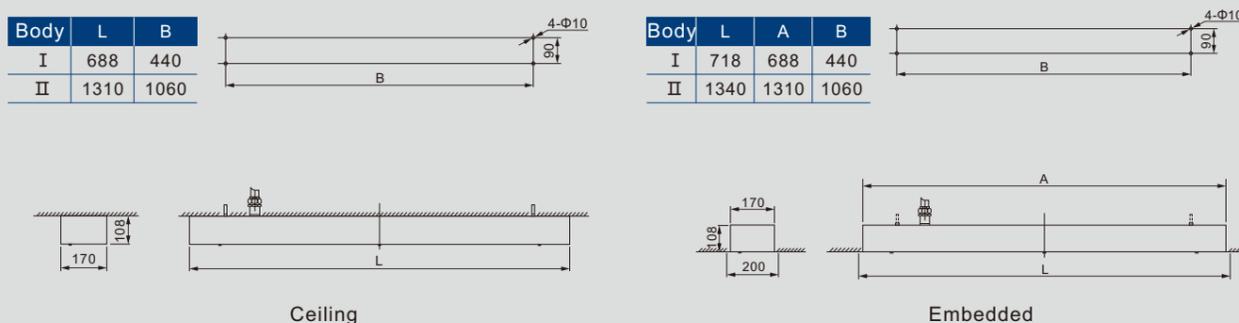
European (ATEX)	CE 1282Ex II 2G Ex d e mb IIC T5 Gb
Input voltage	220VAC, 50-60Hz
Degree of protection	IP54/IP65

Type	BHY-I-600	BHY-I-1200
T8 Fluorescent tube	(1~3)*18Watt	(1~3)*36Watt
T5 Fluorescent tube	(1~3)*14Watt	(1~3)*28Watt
LED tube	(1~3)*8Watt	(1~3)*16Watt
Size for Ceiling mount	L770*W235*H140	L1370*W235*H140
Size for Ceiling mount	L770*W225*H115	L1370*W225*H115
Mounting Styles	Ceiling; Embedded	

Type	BHY-II-1200-3tube	BHY-II-1200-4tube
T8 Fluorescent tube	3*36Watt	4*36Watt
T5 Fluorescent tube	3*28Watt	4*28Watt
LED tube	3*16Watt	4*16Watt
Size	L1500*W325*H65	L1500*W450*H65
Mounting Styles	Embedded	

Type	BHY-III-600
T5 Fluorescent tube	3*14Watt
Size	L700*W700*H90
Mounting Styles	Embedded

Dimension & Installation [mm]



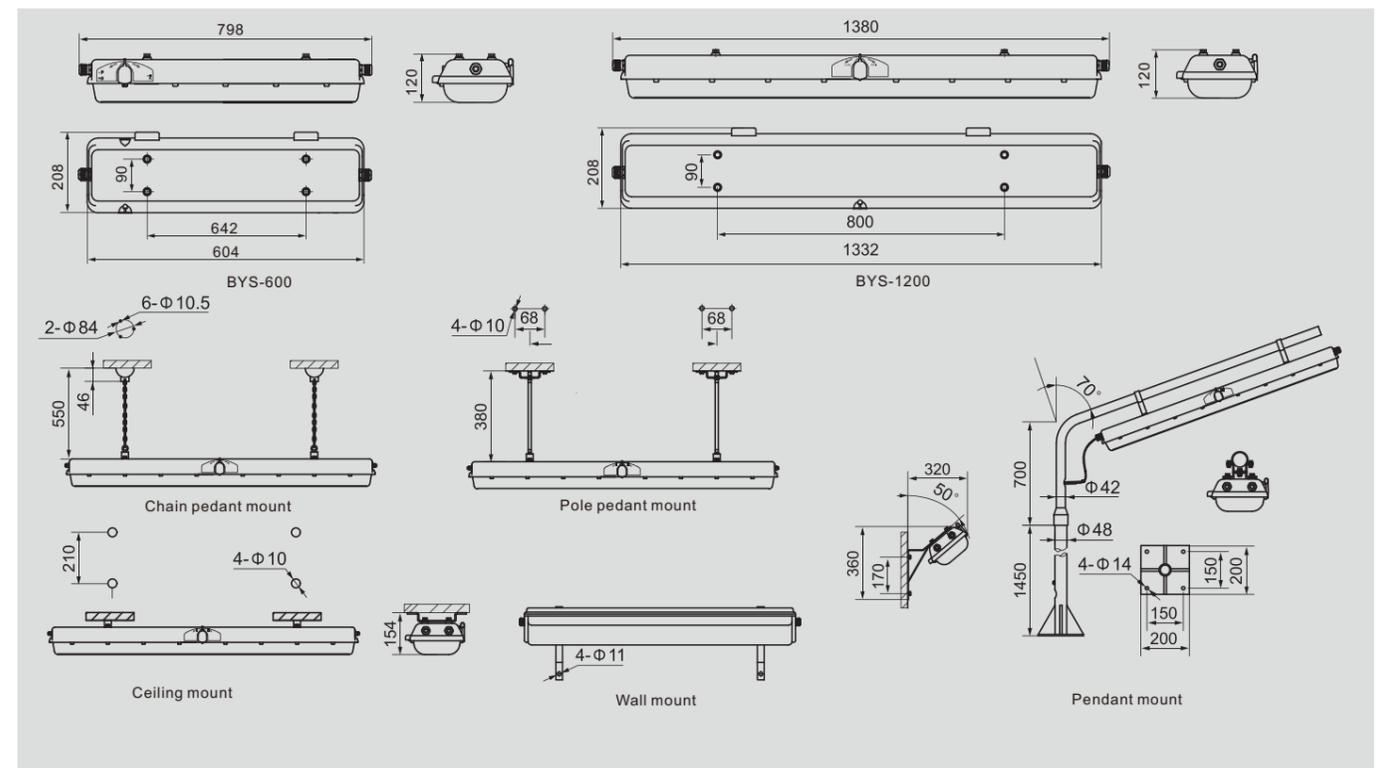
■ Features:

- Zone 1&2, Zone 21&22
- GRP enclosure, corrosion-proof, PC lampshade, strip-shaped, anti-glare
- Built-in explosion proof interlock device, automatically power-off after cover open
- Lamp adopt curve sealed structure, high waterproof and dust proof class
- Lightweight and slim line construction
- The emergency device can be equipped at the request of users

Technical Parameters

Type	BYS-600	BYS-1200
European (ATEX)	CE 1282Ex II 2G Ex de IIC T4	
Input voltage	220VAC, 50-60Hz	
T8 Fluorescent tube	(1~3)*18Watt	(1~3)*36Watt
LED tube	(1~3)*8Watt	(1~3)*18Watt
Degree of protection	IP66	
Size	L798* W208*H120	L1380* W208*H120
Mounting Styles	Pendant; Ceiling; Wall; Stanchion	

Dimension & Installation [mm]



GYD93 series

20-60W Explosion proof Led Linear Light



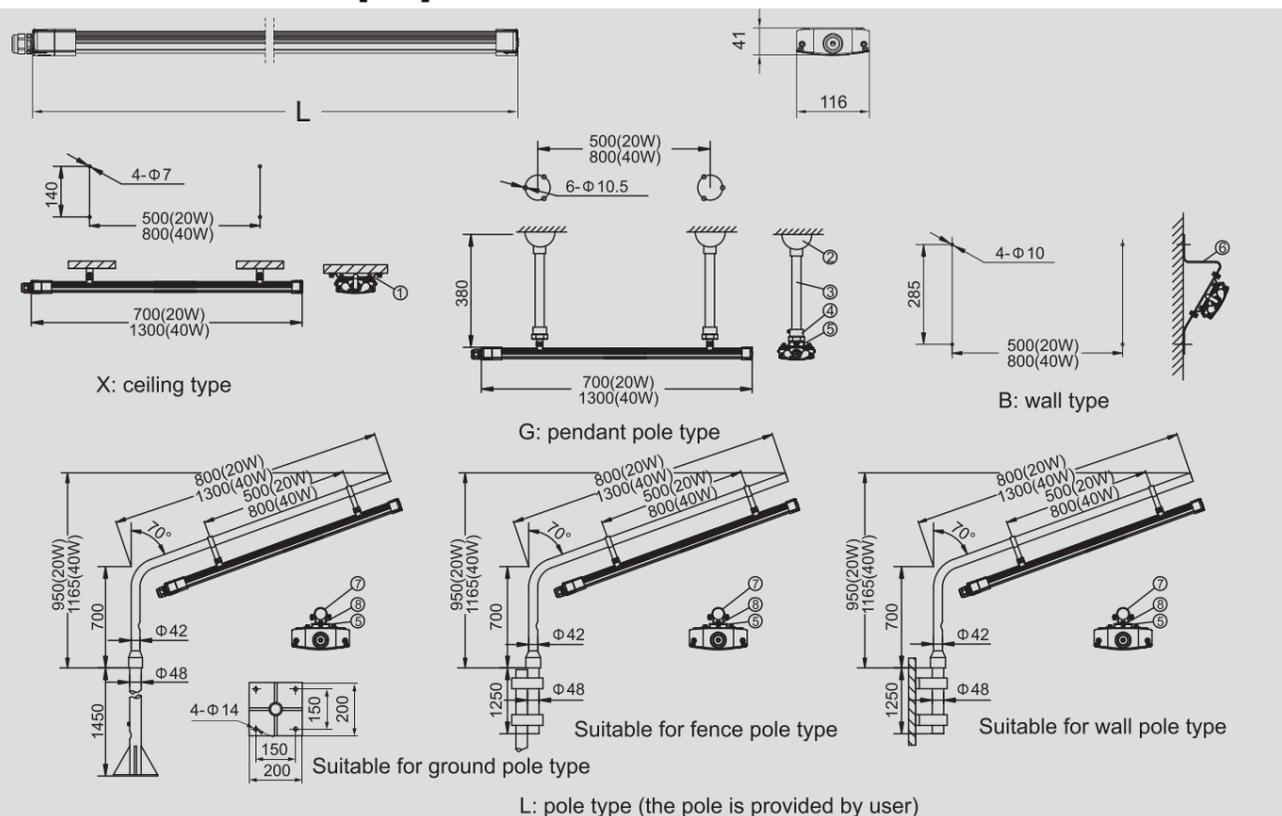
■ Features:

- Zone 2, Zone 21&22
- Instant on crisp white light output
- Built-in LED driver, CC-CV (constant current-constant voltage) output, power factor--0.95.
- Main enclosure is extruding formed of copper-free aluminum, anodic-oxidation treatment for surface. Both ends of enclosure are die-casting formed of copper-free aluminum, powder coated surface

Technical Parameters

Type	GYD9301	GYD9302	GYD9303
European (ATEX) 	CE 1282Ex II 3G Ex nR IIC Gc		
Gas and Dust	CE 1282Ex II 2D Ex tb IIIC T80°C Db IP66		
Input voltage	220VAC, 50-60Hz		
Power consumption [W]	20	40	60
Luminaire efficiency [Lm/W]	95		
Degree of protection	IP66		
Size	650*120*35	1300*116*40	1620*116*45
Weight	1.62	3	4
Mounting Styles	Pendant; Ceiling; Wall; Stanchion		

Dimension & Installation [mm]



Explosion Proof H.I.D Light

- 13 BAD82 Series (70-250W)
- 14 BAT51-R Series (250-1000W)
- 15 BAT51-S Series (150-1000W)
- 16 BCD Series (70-400W)



BAD82 series

70-250W Explosion proof HID Light



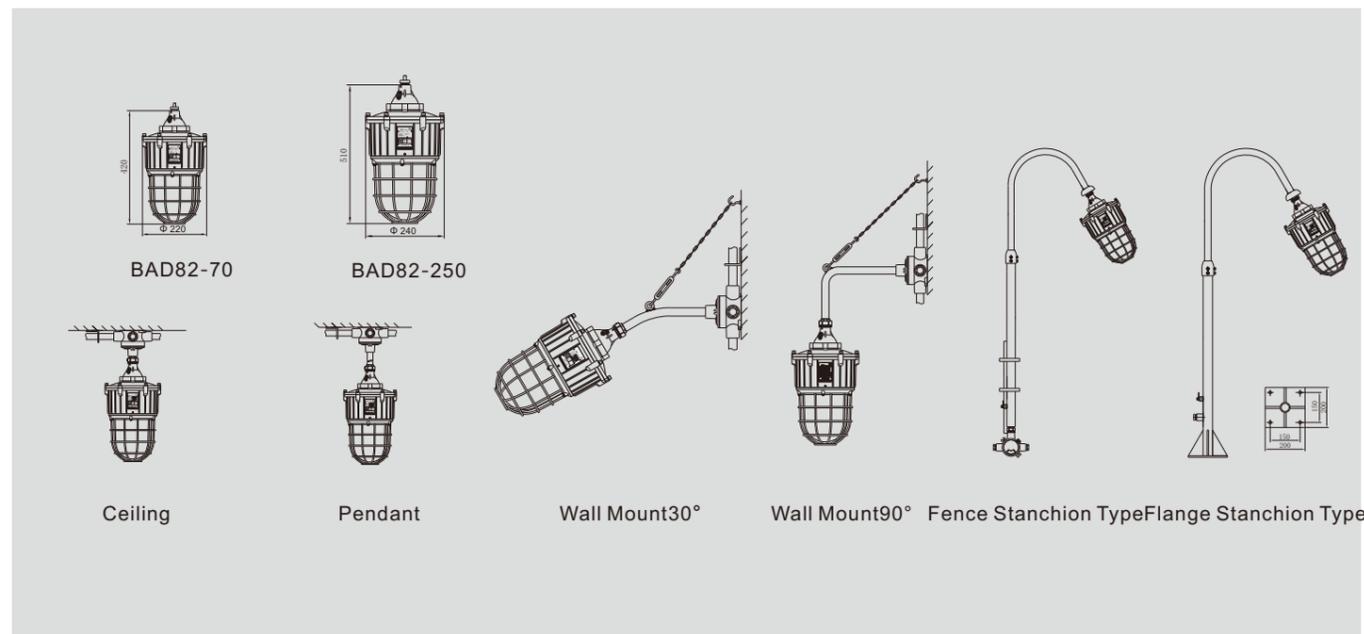
■ Features:

- Zone 1&2, Zone 21&22
- Housing is made of die-cast aluminum, with epoxy sprayed
- Integrated design, the power supply cavity and the light source cavity are completely isolated, and a specially designed connection between the two cavity.
- Anti-glare glass cover

Technical Parameters

Type	BAD82-70	BAD82-250
European (ATEX) 	CE 1282Ex II 2G Ex d IIC T4 Gb	
Gas and Dust	CE 1282Ex II 2D Ex tb Db	
Input voltage	220VAC, 50-60Hz	
Degree of protection	IP65	
Lamp holder	E27	E40
Metal Halide Lamp	70, 100, 150Watt	175, 250Watt
High Pressure Sodium Lamp	70, 100Watt	150, 250 Watt
High Pressure Mercury Lamp	80, 125Watt	175, 250Watt
Size	220*220*420	240*240*510
Mounting Styles	Pendant; Ceiling; Wall Bracket; Stanchion	

Dimension & Installation [mm]



BAT52 series

250-1000W Explosion proof HID Light



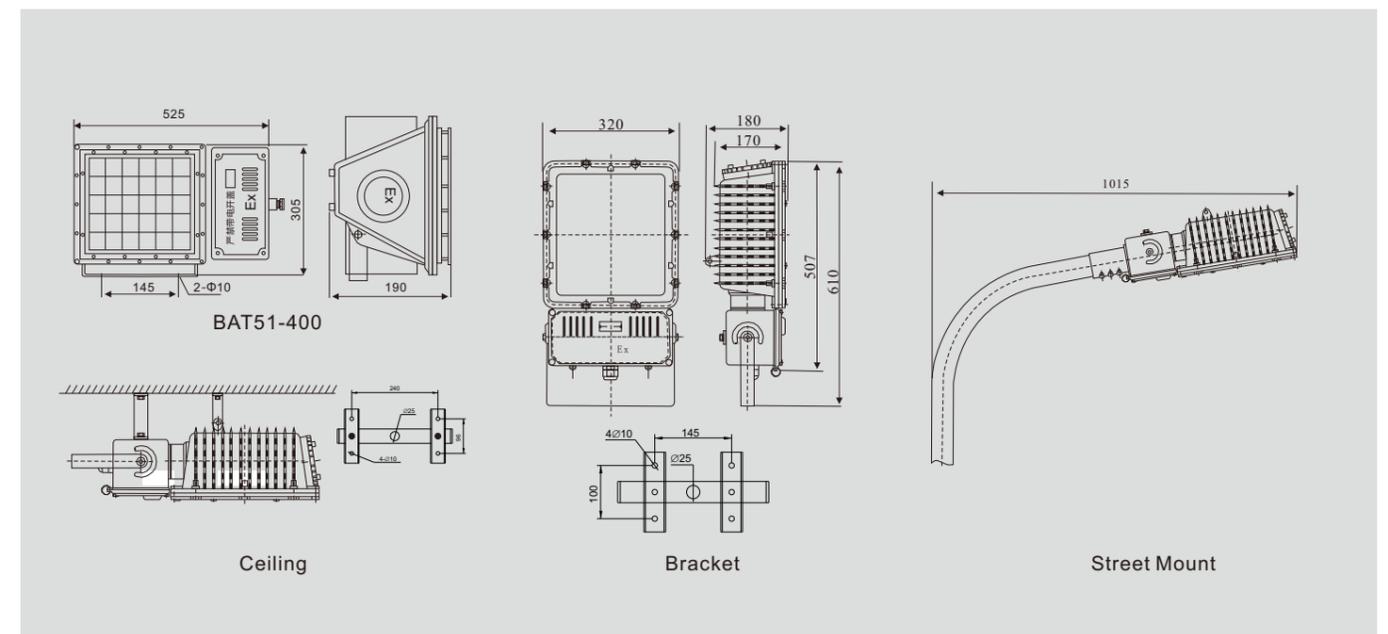
■ Features:

- Zone 1&2, Zone 21&22
- Die casting shell made of cast aluminum alloy (copper is less than 0.4%), surface is high voltage electrostatic spray paint after high speed shot blasting, good corrosion proof.
- With the hole for easy opening, and the patented structure (automatic suspended security structure), make lamp replacement fast, convenient and safe.
- Unique diffuse reflection design to make light soft and wide angle of illumination

Technical Parameters

Type	BAT52-400	BAT52-1000
European (ATEX) Gas 	CE 1282Ex Ex d IIB T3	CE 1282Ex Ex d IIB T2
Input voltage	220VAC, 50Hz	
Degree of protection	IP54	
Lamp holder	E27	E40
Metal Halide Lamp	250, 400Watt	1000 Watt
High Pressure Sodium Lamp	250, 400Watt	1000 Watt
High Pressure Mercury Lamp	250, 450Watt	/
Mounting Styles	Pendant; Ceiling; Wall Bracket; Stanchion	

Dimension & Installation [mm]





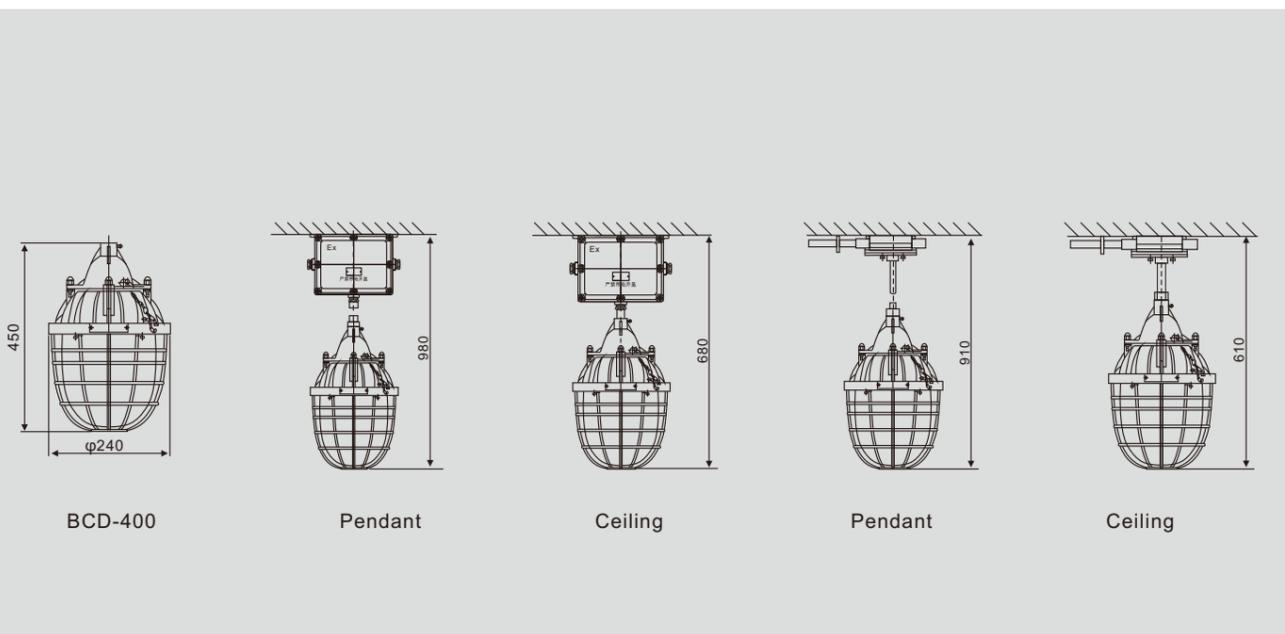
■ Features:

- Zone 1&2, Zone 21&22
- Housing is made of die-cast aluminum, with epoxy sprayed
- Tempered glass shade, stainless steel exposed fasteners, with galvanized and epoxy coated guard
- Rotary opening, easy installation and maintenance
- Optional lamp shade

Technical Parameters

Type	BCD-100	BCD-200	BCD-200B	BCD250	BCD-400
European (ATEX) 	CE 1282Ex II 2G Ex d IIC T3 Gb				
Gas and Dust	CE 1282Ex II 2D Ex tb Db				
Input voltage	220VAC, 50-60Hz				
Degree of protection	IP55				
Lamp holder	E27	E27	E27	E40	E40
Metal Halide Lamp	/	70/100/150/175W	70/100/150/175W	250W	400W
High Pressure Sodium Lamp	/	70/100/110/150W	70/100/110/150W	250W	400W
High Pressure Mercury Lamp	/	80/125/160W	80/125/160W	175/250W	400/450W
Energy Saving Bulb	15W	36W	36W	105W	150W
LED Bulb	8W	15W	15W	36W	/
Weight	1.4kg	2.0kg	2.87kg	3.78kg	6.31kg
Mounting Styles	Pendant; Ceiling; Wall Bracket; Stanchion				

Dimension & Installation [mm]



Explosion Proof Emergency Light

- 17 BCJ Emergency Light (2*3W)
- 18 BYY Exit Sign (3W)
- 19 GYJ Siren (5-40W)
- 20 GYZD81 Obstruction Light



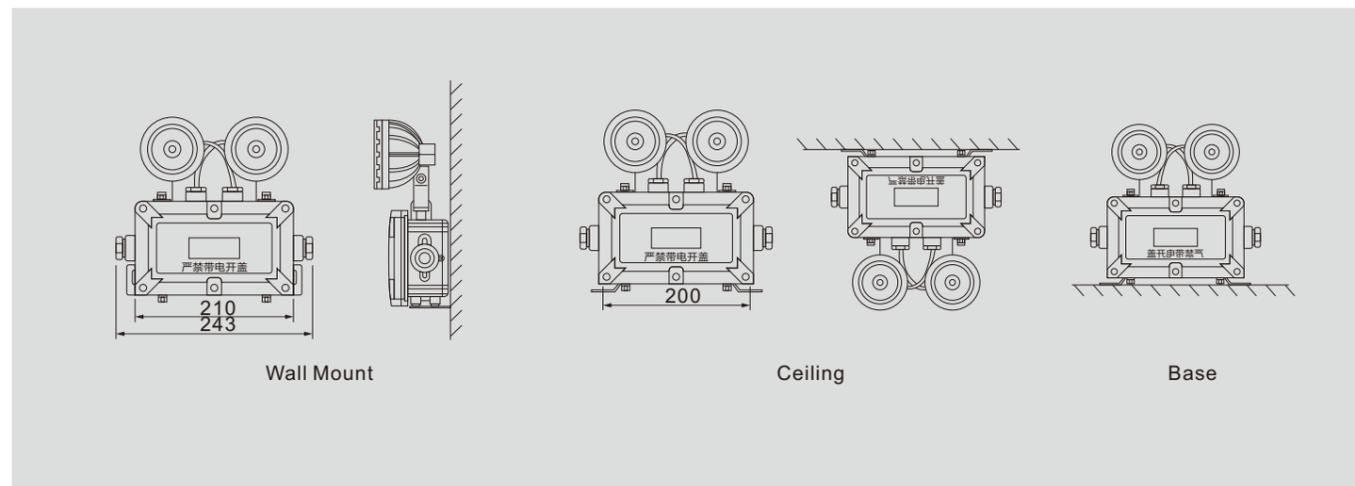
■ Features:

- Zone 1&2, Zone 21&22
- Built-in maintenance-free battery pack, the battery will be charged automatically when power is supply. And it will be in emergency light when the power fails.
- The lamp head can be rotated around 270° from top to bottom, with wide lighting range.
- Easy to install
- LED indicator of main, charge, fault to easy to know the status of the light.
- Self inspections annual month. And test button for testing any time for user.
- Equipped with an explosion-proof buzzer with a 65dB-85dB voice. When the product is in fault status, the buzzer will work 1-3s every minute to remind the user to maintain the product.

Technical Parameters

Type	BYY
European (ATEX) 	CE 1282Ex II 2G Ex d IIC Gb
Gas and Dust	CE 1282Ex II 2D Ex tb Db
IP Degree	IP65
Input voltage	220VAC, 50-60Hz
Power consumption [W]	2*3
Back-up Battery	>120min
Entries	G 3/4" (suitable for Φ10mm-Φ14mm cable); NPT3/4" is optional
Size [mm]	243*570*55
Weight [kg]	2.6
Mounting Styles	Ceiling; Wall; Base Mount

Dimension & Installation [mm]



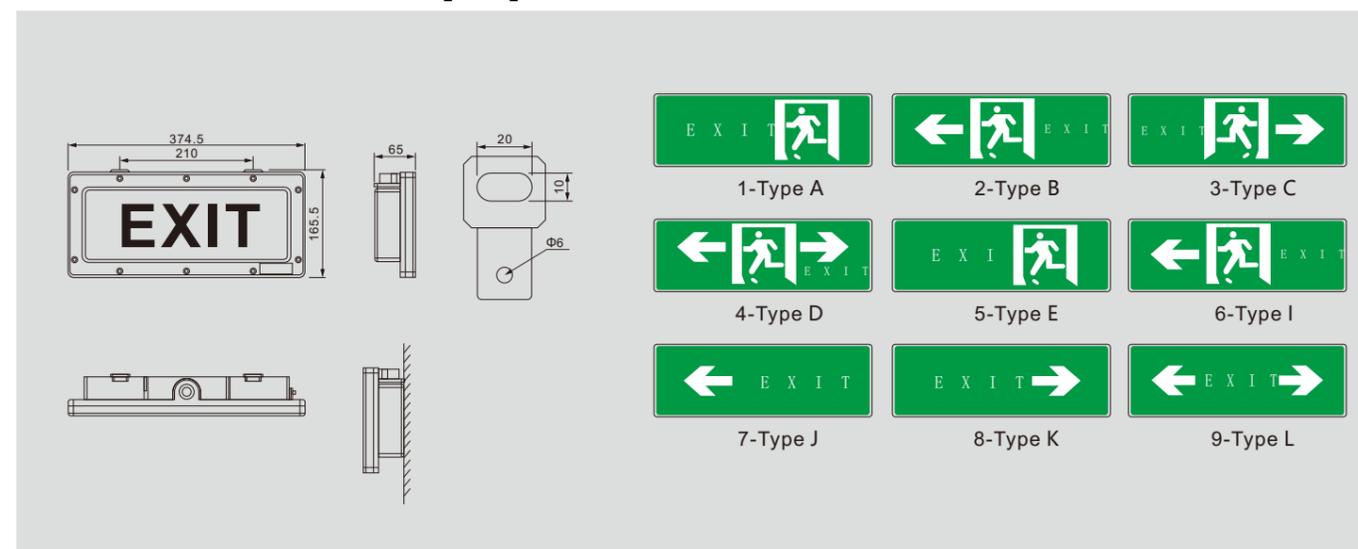
■ Features:

- Zone 1&2, Zone 21&22
- Die-cast aluminum body with baked epoxy powder coat finish for durability and corrosion resistance
- Ultra-bright LED light source, service life is up to 50,000 hours
- Designed with test buttons, convenient for regularly maintenance
- The light fitting is designed with a main power indicator, failure and charging indicator, to the using status
- Equipped with an explosion-proof buzzer with a 65dB-85dB voice. When the product is in fault status, the buzzer will work 1-3s every minute to remind the user to maintain the product.

Technical Parameters

Type	BYY
European (ATEX) 	CE 1282Ex II 2G Ex d IIC Gb
Gas and Dust	CE 1282Ex II 2D Ex tb Db
IP Degree	IP65
Input voltage	220VAC, 50-60Hz
Power consumption [W]	3
Back-up Battery	>120min
Entries	G 3/4" (suitable for Φ10mm-Φ14mm cable); NPT3/4" is optional
Size [mm]	166*375*65
Weight [kg]	3.25
Mounting Styles	Ceiling; Wall; Base Mount

Dimension & Installation [mm]



GYJ series

Explosion proof Siren

GYZD series

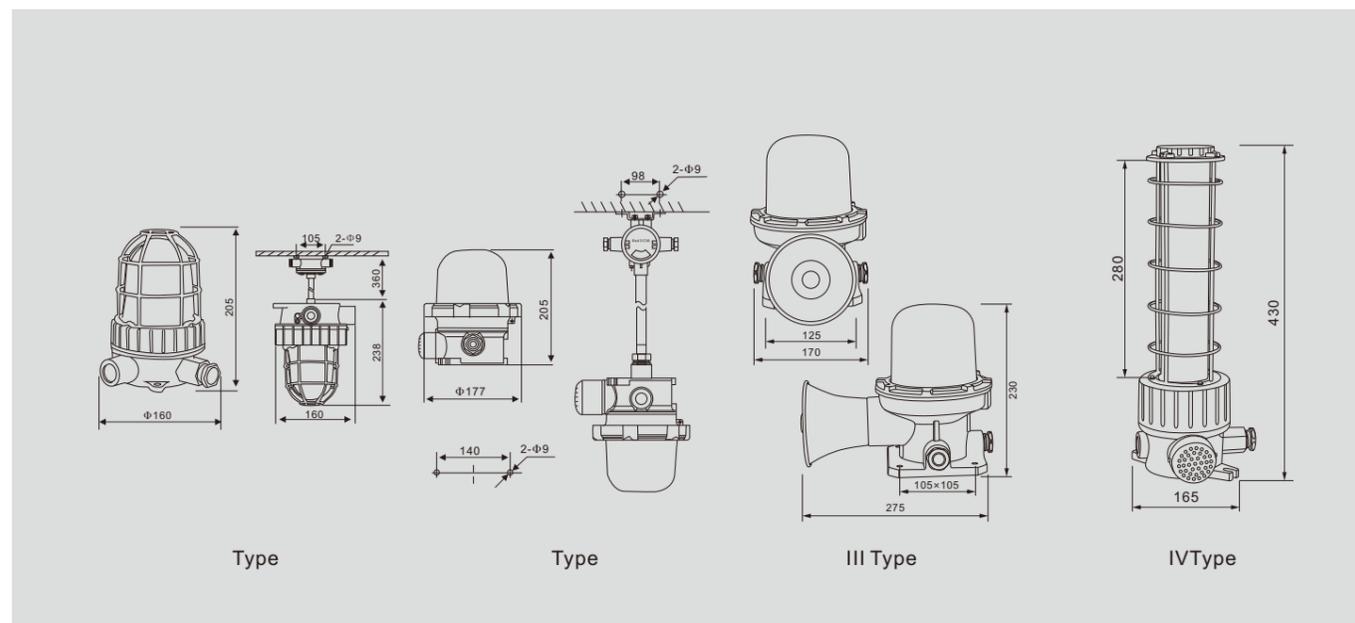
Explosion proof Obstruction Light



Technical Parameters

Type	GYJ-I	GYJ-II	GYJ-III	GYJ-IV
European (ATEX)	CE 1282 ^{Ex} II 2G Ex d ib IIC Gb			
Gas and Dust	CE 1282 ^{Ex} II 2D Ex tb Db			
Input voltage	AC220V/DC24V/ DC36V			
Degree of protection	IP66			
Power consumption [W]	5~10	5	40	5
Sound Intensity [dB]	90	120	180	120
Flash Frequency	150 times/Min			
Color	Red/Yellow/Blue/Green			
Weight	1.8	2.7	3.7	2.5
Mounting Styles	Wall Bracket; Base			

Dimension & Installation [mm]



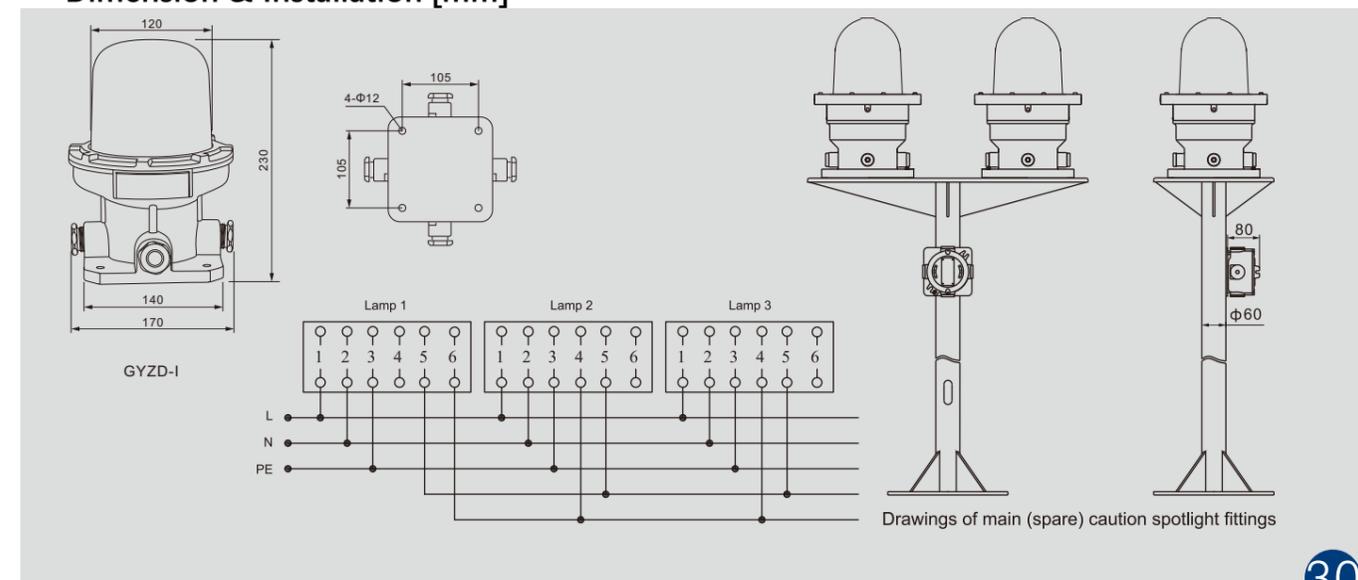
■ Features:

- Zone 1&2, Zone 21&22
 - Housing is made of die-cast aluminum, with epoxy sprayed
 - With integrated chip, with a variety of protection circuits, synchronization of multiple lamps can be achieved through the synchronization of the signal line connection
- Can be equipped with solar panels powered by solar energy, using more than 15 hours on a single charge

Technical Parameters

Type	GYZD81-I	GYZD81-II	GYZD81-III
European (ATEX)	CE 1282 ^{Ex} II 2G Ex d e IIC T6 Gb		
Gas and Dust	CE 1282 ^{Ex} II 2D Ex tb Db		
Input voltage	220VAC, 50Hz		
Degree of protection	IP66		
Synchronized Flashing (Wireless)	Optional		
With solar panel	Optional		
Light color	Red		
Effective Luminous Intensity	Low intensity >200cd	Medium Intensity >2000cd	High Intensity >20000cd
Power consumption [W]	<8 W	<40 W	<100W
Light Source	LED	LED	Xenon lamp
Flash Rate (flash per minute)	20-60	20-60	16-60
Weight [kg]	2.8	4.8	6.0
Mounting Styles	Wall Mount; Base Mount		

Dimension & Installation [mm]



Explosion Proof Equipment

- 21 AH Junction box
- 22 Switch
- 23 Plug&Receptacle
- 24 Control Station
- 25 Panel Distribution
- 26 Cable Gland
- 27 Flexible Conduit

AH series

Explosion proof Terminal Box



Features:

- Zone 1&2, Zone 21&22
- Housing is made of die-cast aluminum, with epoxy sprayed
- Inlet and outlet there are many ways and specifications
- Incoming and outgoing threads can be customized in metric thread, NPT thread, etc.

Technical Parameters

Type	AH Junction box
European (ATEX) Gas	Ex d e IIC T6
Rated Current	20A
Degree of protection	IP65
Terminals	4

Outline	Description	Outline	Description
	1 way in horizon		1 way in horizon
	2 ways in horizon		2 ways in horizon
	3 ways in horizon		3 ways in horizon
	4 ways in horizon		4 ways in horizon
	2 perpendicular ways in horizon		2 perpendicular ways in horizon

○ Horizontel cover, ⊙ Hung cover.

Dimension & Installation [mm]

Cable Outsize(mm)	Ex Mark	Tube Thread(G*)	A	B	C	D	Size
Φ7 ~ Φ10	Exd IIBT6 Gb	1/2	170	108	105	66	
Φ10 ~ Φ14		3/4	180	108	108	66	
Φ12 ~ Φ18	Exd IIBT6 Gb	1	195	108	-	66	
Φ15 ~ Φ23	Exd IIBT6 Gb	1 1/4	200	122	-	87	
Φ18 ~ Φ30	Exd ICT6 Gb	1 1/2	215	122	-	87	
Φ25 ~ Φ38	Exe IIT6 Gb	2	260	160	-	110	
Φ7 ~ Φ10	Exd IIBT6 Gb Exd ICT6 Gb DIP A20 TA, T6	1/2	175	108	-	76	
Φ10 ~ Φ14		3/4	175	108	-	76	
Φ12 ~ Φ18		1	175	108	-	76	
Φ15 ~ Φ23		1 1/4	200	122	-	97	
Φ18 ~ Φ30		1 1/2	215	122	-	97	
Φ25 ~ Φ38		2	260	160	-	97	
Φ7 ~ Φ10	Exd IIBT6 Gb Exd ICT6 Gb DIP A20 TA, T6	1/2	175	108	100	65	
Φ10 ~ Φ14		3/4	175	108	100	65	
Φ12 ~ Φ18		1	175	108	100	65	

SW-10 series

Explosion proof Switch



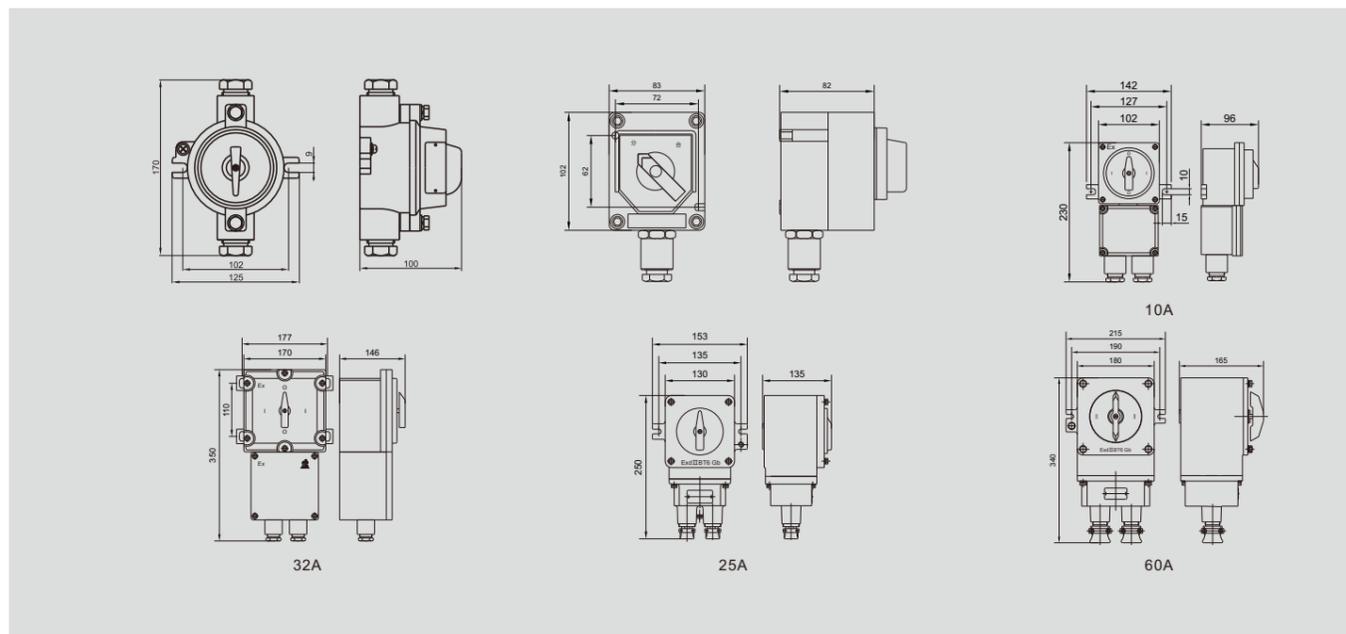
■ Features:

- Zone 1&2, Zone 21&22
- Housing is made of die-cast aluminum, with epoxy sprayed
- Compact structure, beautiful appearance
- Waterproof and dustproof

Technical Parameters

Type	SW-10 Switch
Ex rate	Ex d e IIC T6 Gb
Rated Current	10-63A
Rated voltage	220/380VAC
Degree of protection	IP65
Entries	G 3/4" (suitable for Φ 10mm- Φ 14mm cable); NPT3/4" is optional

Dimension & Installation [mm]



AC series

Explosion proof Plug&Receptacle



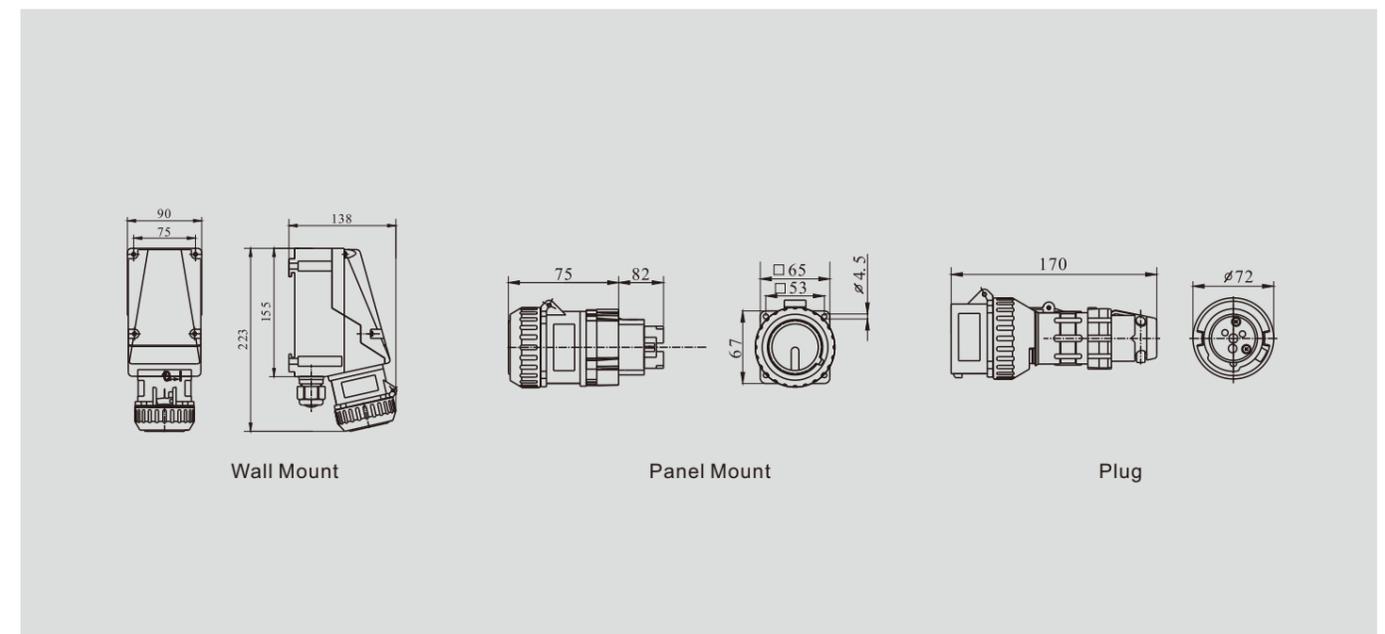
■ Features:

- Zone 1&2, Zone 21&22
- The plug&receptacle and the switch are made into an interlock structure, and the plug can only be pulled out after the switch is disconnected

Technical Parameters

Type	Plug & Receptacle		
Ex rate	Ex d e IIC T6 Gb		
Rated Current [A]	16	32	63
Rated voltage	220/380VAC		
Degree of protection	IP65		
Entries	M25*1.5 (suitable for Φ 8mm- Φ 17mm cable)	M40*1.5 (suitable for Φ 13mm- Φ 27mm cable)	M40*1.5 (suitable for Φ 13mm- Φ 27mm cable)
The cable for plug	Φ 8mm- Φ 19mm	Φ 12mm- Φ 28mm	Φ 12mm- Φ 28mm

Dimension & Installation [mm]



CONTROL STATION series PANEL DISTRIBUTION series



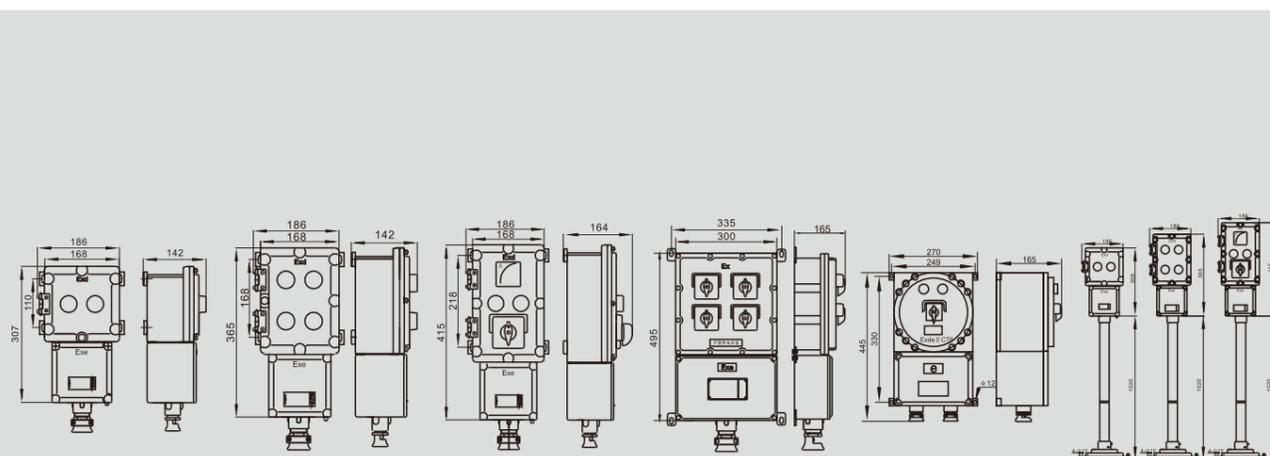
■ Features:

- Zone 1&2, Zone 21&22
- Remotely control the start and stop of multiple motors
- Sealing structure design using curved road, with good waterproof and dustproof performance
- Could be equipped with indicator lights, ammeters, voltmeters, buttons, switch and other components required by the user (potentiometer, frequency rate table, tachometer, etc.)

Technical Parameters

Type	LBZ Control Station
Ex rate	Ex d e IIC T6 Gb
Rated Current	6-36A
Rated voltage	220/380VAC
Degree of protection	IP65
Entries	G 1/2"- G1 1/2" (suitable for Φ 8mm- Φ 30mm cable); NPT is optional

Dimension & Installation [mm]

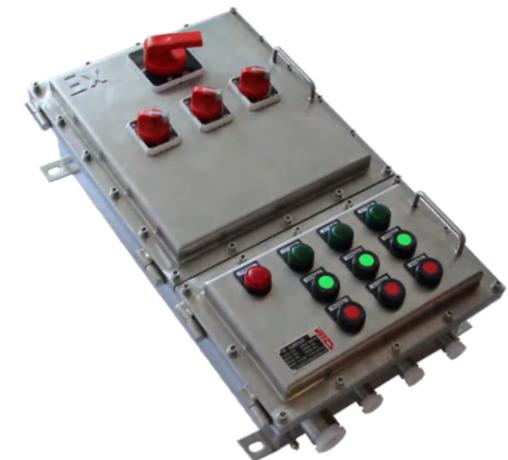


LBZ-10GB I Type LBZ-10GB Type LBZ-10GB Type LBZ-10GB Type LBZ-10GCD2K1X2 Control Station



■ Features:

- Die cast aluminum or stainless steel housing
- Built-in miniature circuit breaker or molded case circuit breaker
- Overload, open circuit protection function, can increase leakage protection function is optional
- This construction of the panel is a composite or isolated type. Composite type of the up enclosure is explosion-proof and the down terminal enclosure is increased safety type.
- With overload, short circuit protection, and the leakage protection, surge protectors function is optional;



Technical Parameters

Type	BXM Panel Distribution
Ex rate	Ex d e mb IIB T5 Gb DIP A21 TA, T5
Degree of protection	IP54/IP65
Rated voltage	220/380VAC
Branches [K]	2, 4, 6, 8, 10, 12
Branch current [A]	1, 2, 4, 6, 10, 16, 25, 32, 40, 50, 63; =250; =400
Entries	G1/2"- G4"; NPT is optional

CABLE GLAND series

FLEXIBLE CONDUIT series



■ Features:

- Zone 1&2, Zone 20&21&22
- Stainless steel, nickel plated brass or galvanized carbon steel is optional.
- Suit for unarmored or armored cable

Type I Gland size	Standard entry thread A		Cable outer diameter B (mm)		Minimum thread length C (mm)	Nominal protrusion length D (mm)	Across flats E (mm)	Across corners F (mm)	Weight (kg)	
			Min	Max						
20	M20 x 1.5	NPT 1/2"	G1/2"	5	10	15	33	27	30	0.15
25	M25 x 1.5	NPT 3/4"	G3/4"	9	14	15	33	32	35	0.15
32	M32 x 1.5	NPT 1"	G1"	13	18	19	37	38	41	0.30
40	M40 x 1.5	NPT 1 1/4"	G1 1/4"	17	24	19	40	47	50	0.50
50	M50 x 1.5	NPT 1 1/2"	G1 1/2"	22	32	19	40	55	60	0.55
63	M63 x 1.5	NPT 2"	G2"	31	44	19	53	68	72	0.70
75	M75 x 1.5	NPT 2 1/2"	G2 1/2"	43	56	19	53	80	85	0.90

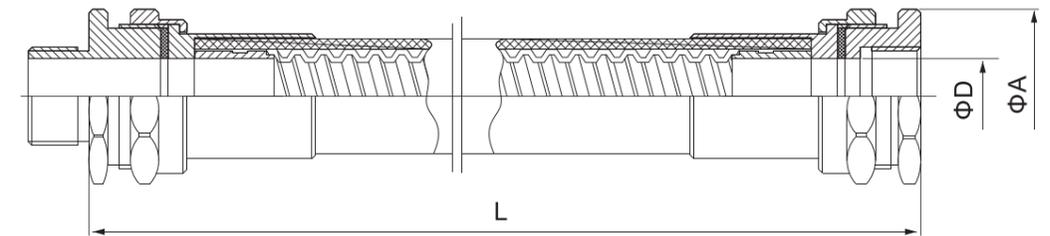
Type II Gland size	Standard entry thread A		Cable outer diameter B (mm)		Cable outer diameter C (mm)	Minimum thread length D (mm)	Nominal protrusion length E (mm)	Across flats F (mm)	Across corners G (mm)	Range of armored thickness h (mm)	Weight (kg)	
			Max	Min								Max
20A	M20 x 1.5	NPT 1/2"	G1/2"	10.5	5.5	12.0	15	50	27	30	0.3~1.0	0.14
20B	M20 x 1.5	NPT 1/2"	G1/2"	10.5	9.5	16.0	15	50	27	30	0.3~1.0	0.14
20C	M20 x 1.5	NPT 1/2"	G1/2"	14.5	12.5	20.5	15	52	27	30	0.3~1.0	0.13
25B	M25 x 1.5	NPT 3/4"	G3/4"	14.5	12.5	20.5	15	52	34	37	0.3~1.0	0.18
25C	M25 x 1.5	NPT 3/4"	G3/4"	19.5	17.0	26.0	15	57	34	37	0.4~1.2	0.17
32B	M32 x 1.5	NPT 1"	G1"	19.5	17.0	26.0	19	57	41	45	0.4~1.2	0.21
32C	M32 x 1.5	NPT 1"	G1"	25.5	22.0	33.0	19	61	41	45	0.4~1.4	0.19
40B	M40 x 1.5	NPT 1 1/4"	G1 1/4"	25.5	22.0	33.0	19	61	50	55	0.6~1.9	0.27
40C	M40 x 1.5	NPT 1 1/4"	G1 1/4"	31.0	28.0	41.0	19	68	50	55	0.6~2.2	0.24
50B	M50 x 1.5	NPT 1 1/2"	G1 1/2"	31.0	28.0	41.0	19	68	60	65	0.8~2.3	0.34
50C	M50 x 1.5	NPT 1 1/2"	G1 1/2"	37.0	36.0	52.5	19	76	60	65	0.8~2.3	0.31
63B	M63 x 1.5	NPT 2"	G2"	37.0	36.0	52.5	19	76	72	77	0.9~2.4	0.43
63C	M63 x 1.5	NPT 2"	G2"	49.0	46.0	65.0	19	94	77	82	0.9~2.4	0.40
75B	M75 x 1.5	NPT 2 1/2"	G2 1/2"	55.0	46.0	65.0	19	94	88	93	0.9~2.4	2.80
75C	M75 x 1.5	NPT 2 1/2"	G2 1/2"	64.0	57.0	78.0	19	99	105	110	0.9~2.4	2.70
90	M90 x 1.5	NPT 3"	G3"	75.0	68.0	88.0	19	99	115	121	0.9~2.8	3.80
110	M110 x 1.5	NPT 4"	G4"	90.0	83.0	103.0	19	105	130	137	0.9~2.8	4.70

For unarmored cable



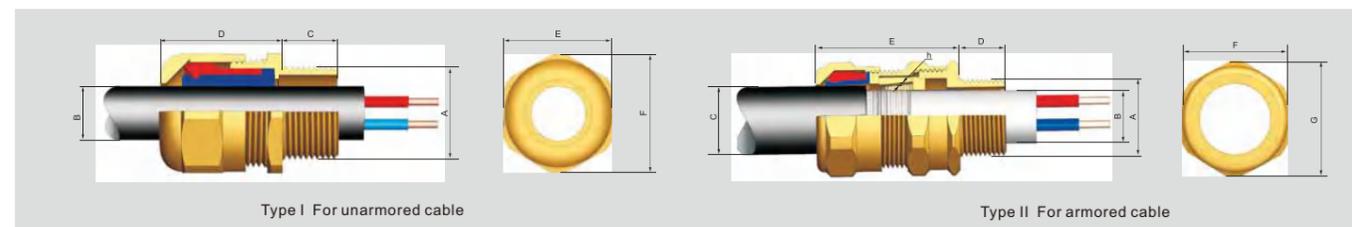
■ Features:

- Zone 1&2, Zone 20&21&22
- Rubber plastic, steel net and stainless steel net is optional
- The thread could be specially made upon request, such as NPT, G thread
- The length of the flexible conduit can be specially made upon request.
- Degree of protection; IP65



Type	Tube Size(mm)	Tube Thread(G")	Length(mm)	minimum bending radius(mm)	Ex Mark
BNG-□15×700	15	G1/2"	700	80	ExdIIC Gb DIP A20
BNG-□15×1000	15	G1/2"	1000	80	
BNG-□20×700	20	G3/4"	700	110	
BNG-□20×1000	20	G3/4"	1000	110	
BNG-□25×700	25	G1"	700	145	
BNG-□25×1000	25	G1"	1000	145	
BNG-□32×700	32	G1 1/4"	700	180	
BNG-□32×1000	32	G1 1/4"	1000	180	
BNG-□40×700	40	G1 1/2"	700	210	
BNG-□40×1000	40	G1 1/2"	1000	210	
BNG-□50×700	50	G2"	700	250	
BNG-□50×1000	50	G2"	1000	250	
BNG-□70×700	70	G2 1/2"	700	350	
BNG-□70×1000	70	G2 1/2"	1000	350	
BNG-□80×700	80	G3"	700	400	
BNG-□80×1000	80	G3"	1000	400	
BNG-□100×700	100	G3"	700	500	
BNG-□100×1000	100	G3"	1000	500	
BNG-□100×1400	100	G4"	1400	500	

Note: The bend radius is not less than 10 times the outer diameter of the flexible tube.



Explosion proof Appliance

- 40 FAN Series
- 41 Air Conditioner

FAN series



Features:

- Zone 1&2, Zone 21&22
- With explosion-proof motor
- Strong anti-corrosion ability
- Multiple installation methods
- Different impeller speed or motor power, air flow for choice

Technical Parameters

Type	BFC Type	BAF Type	BTS Type
Ex rate	Ex d IIB T4 Gb		
Degree of protection	IP54		
Rated voltage	220/380VAC		
Size of blade [mm]	300, 400, 500, 600	315; 400; 500; 600	500; 600; 750
Power consumption [W]	120; 180; 250; 370	180; 250; 550; 750; 1500	370; 550; 750
Air volume [m³/min]	2200; 2400; 4900; 9500	2273; 4687; 9133; 18250	6600; 9600; 18000

Dimensions [mm]

Type	A	Φ1	Φ2	Φ3	Φ4
BAF-250	280	260	285	300	315
BAF-300	280	305	335	350	345
BAF-400	280	405	435	450	450
BAF-500	300	505	535	555	555
BAF-600	300	610	635	650	650

AIR CONDITIONER series

AIR CONDITIONER series



■ Features:

Zone 1 and Zone 2

For explosion-proof tank air conditioner, both cooling-only and cooling & heating products in T1, T2, and T3 are available, to meet different requirements of low, medium and high temperature zones in the world.

Explosion-proof tank air conditioner is based on renowned brand, by taking explosion-proof measures to indoor and outdoor units. Measures to outdoor unit: by taking special technics and control, conduct explosion-proof treatment to internal control units, compressor, outdoor fan motor, protective system, heat-removal system, cooling system, etc. Besides, explosion-proof control box and sensor system are applied with intrinsic safety. The outline dimensions and installation are the same as the prototype after explosion proof treatment. Indoor unit: by taking special technics and control, dismantle internal electric control units and re-design explosion-proof structure which enables explosion-proof control box separated. Remote controller and sensor system are applied with intrinsic safety. The outline dimensions and installation are the same as the prototype after explosion-proof treatment.

Technical Parameters

Type	BKFR-50/220	BKFR-71/220	BKGR-70/220	BKGR-120/380	
Ex rate	Ex d e i b nC IIB T4 Gc				
Cooling capacity	W	5275	6448	7250	12200
	BTU	18000	24000	24000	40000
Heating capacity (W)	5600	6600	8000	14500	
Rated voltage/Frequency [V/Hz]	220/50	220/50	220/50	380/50	
Input Power [P]	2P	3P	3P	5P	
Cooling input power/current [W/A]	1752/8.2	2186/10.5	2200/10.0	4380/8.9	
Heating input power/current [W/A]	1647/7.5	1886/8.6	2600/11.3	5000/8.9	
Application areas (m ²)	22~27	27~34	27~32	50~80	
Sound level [dB]	Indoor unit	43	44	43/48	52
	Outdoor unit	54	55	56	56
Outline dimensions L*W*H [mm]	Indoor unit	1100*358*294	1100*358*294	1720*500*300	1870*581*395
	Outdoor unit	860*665*330	860*665*330	980*790*427	1250*1032*412
	Control box	420*350*178	420*350*178	300*250*165	300*250*165
Weight [kg]	Indoor unit	16	16	44	63
	Outdoor unit	54	78	68	112
	Control box	21.2	21.2	6	7

Dimensions [mm]

