





Precise Manufacturing

Vibration World

VEM SERIES VIBRATOR MOTOR

VEM series vibration motor can be divided into: 2 pole single-phase, 2 pole three-phase, 4 pole three-phase 6 pole three-phase as well as DC motor and so on. The force of vibration motor is power source and vibration source, on both ends of the vibration motor's rotor shaft, we installed a set of adjustable eccentric block, it use bearing and centrifugal force which is created by eccentric block high-speed rotation to get the vibration force. There are some advantages of our vibration motor: high utilization rate, less energy consumption, low noise, long service life, very easy to use and vibration force can be adjusted arbitrarily. Nor-mally, our vibration motor is used for general vibration machinery, such as vibrate crusher, vibrate screen, vibrator packing motor, vibrate shakeout motor, vibrate molding machine, vibrate pile driver, vibrate hoister, vibrate filling machine and so on.

Also widely used in hydropower, thermal power, construction, building materials, chemical, mining, coal, metallurgy, light industry, etc.

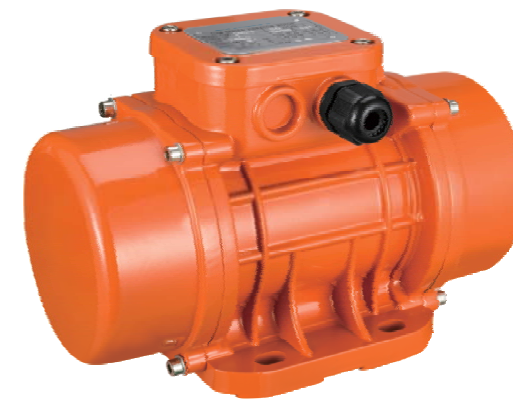
-  Environmental
-  Quality
-  Efficient
-  Technology

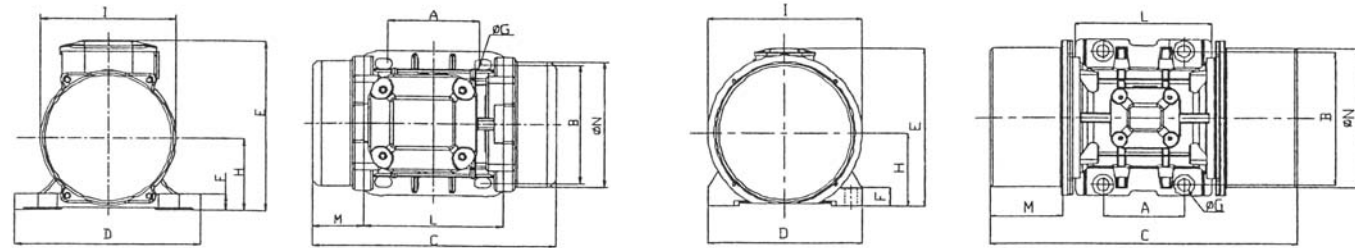


VEM SERIES VIBRATOR MOTOR

Innovation, Quality, Credit, Gold Brand
Confidence From Brand Concept,
Creating A World-famous Enterprise

-  Environmental
-  Quality
-  Efficient
-  Technology





A

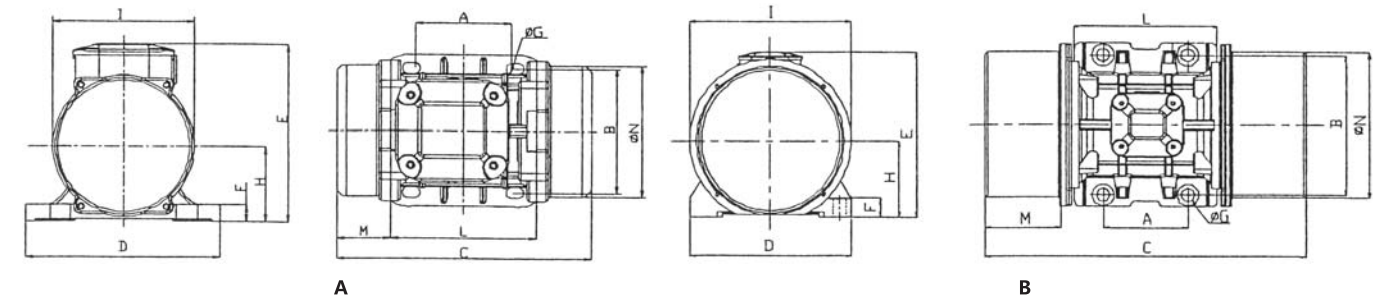
B

2 POLES-3000 rpm

Type	Vibrating Force kg	Vibrating Force kn	Power(KW)	Efficiency(%)	Current(A)	Weight(kg)	Size
VEM-60/3	71	0.7	0.08	46	0.16	5.6	10
VEM-100/3	99	1	0.1	44	0.19	5.9	10
VEM-200/3	198	2	0.17	60	0.35	7.0	10
VEM-300/3	311	3	0.2	64	0.52	10.4	20
VEM-400/3	400	4	0.2	74	0.58	10.8	20
VEM-500/3	516	5	0.45	77	0.96	18.8	30
VEM-700/3	750	7	0.5	77	1.25	20	30
VEM-800/3	788	8	0.55	79	1.45	21.5	30
VEM-1200/3	1018	10	0.75	82	1.85	22.5	30
VEM-1300/3	1386	13	1.1	76	2.44	24.5	30
VEM-1600/3	1571	16	1.25	81	2.94	51.6	40
VEM-1800/3	1848	18	1.5	81	3.75	52	40
VEM-2000/3	2033	20	2	83	4.07	51.8	40
VEM-2300/3	2310	23	2	83	4.44	53.6	40
VEM-3200/3	3250	32	2.2	76	5.3	96.9	50
VEM-4000/3	4030	40	2.3	76	5.3	107	50
VEM-5000/3	5070	50	3.5	83	7.22	111.2	50

2 POLES-3000 rpm

Type	A	B	C	D	E	F	ΦG	H	I	L	M	N	Cable Gland	Fig
VEM-60/3	62-74	106	231	131	159	15	9	64	121	123	54	112	M20x1.5	A
VEM-100/3	62-74	106	231	131	159	15	9	64	121	123	54	112	M20x1.5	A
VEM-200/3	62-74	106	231	131	159	15	9	64	121	123	54	112	M20x1.5	A
VEM-300/3	90	125	273	155	175	15	13	79	142	163	55	131	M20x1.5	B
VEM-400/3	90	125	273	155	175	15	13	79	142	163	55	131	M20x1.5	B
VEM-500/3	120	170	362	208	210	22	17	94	180	205	78	170	M20x1.5	B
VEM-700/3	120	170	362	208	210	22	17	94	180	205	78	170	M20x1.5	B
VEM-800/3	120	170	362	208	210	22	17	94	180	205	78	170	M20x1.5	B
VEM-1200/3	120	170	362	208	210	22	17	94	180	205	78	170	M20x1.5	B
VEM-1300/3	120	170	362	208	210	22	17	94	180	205	78	170	M20x1.5	B
VEM-1600/3	140	190	421	229	262	30	17	120	247	225	80	222	M25x1.5	B
VEM-1800/3	140	190	421	229	262	30	17	120	247	225	80	222	M25x1.5	B
VEM-2000/3	140	190	421	229	262	30	17	120	247	225	80	222	M25x1.5	B
VEM-2300/3	140	190	421	229	262	30	17	120	247	225	80	222	M25x1.5	B
VEM-3200/3	155	255	553	302	318	35	25	147	295	288	115	264	M32x1.5	B
VEM-4000/3	155	255	553	302	318	35	25	147	295	288	115	264	M32x1.5	B
VEM-5000/3	155	255	553	302	318	35	25	147	295	288	140	264	M32x1.5	B

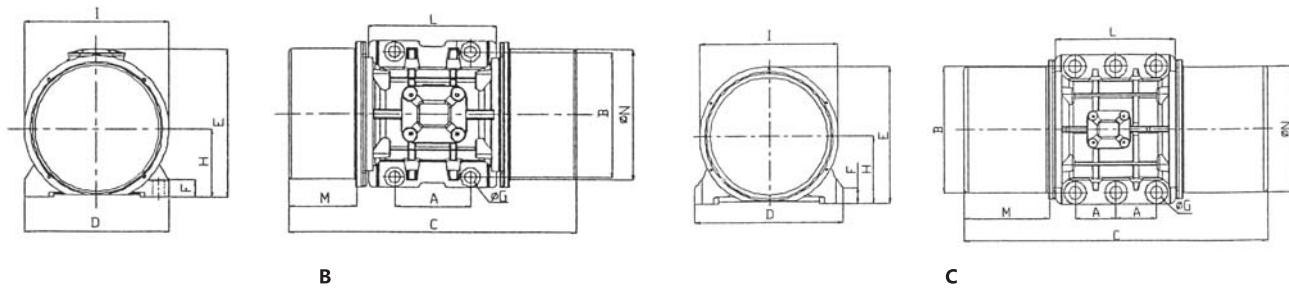


4 POLES-1500 rpm

Type	Vibrating Force kg	Vibrating Force kn	Power(KW)	Efficiency(%)	Current(A)	Weight(kg)	Size
VEM-40/4	40	0.4	0.03	33	0.26	5.9	10
VEM-80/4	80	0.8	0.04	36	0.31	7.4	10
VEM-200/4	183	2	0.06	50	0.49	11.8	20
VEM-250/4	257	2.5	0.07	54	0.54	13.2	30
VEM-400/4	388	4	0.3	60	0.84	23.5	30
VEM-500/4	518	5	0.37	68	1.06	24.2	30
VEM-700/4	693	7	0.55	77	1.32	27.4	30
VEM-800/4	807	8	0.6	73	1.36	28.3	30
VEM-1100/4	1045	11	0.6	73	1.4	35.8	30
VEM-1400/4	1406	14	0.85	75	1.78	59.8	40
VEM-1700/4	1757	17	1.1	68	2.09	68.8	40
VEM-2400/4	2420	24	1.3	71	3.2	79	40
VEM-3000/4	3065	30	2.3	79	3.68	125	50
VEM-3800/4	3830	38	2.3	78	4.15	130.4	50
VEM-4300/4	4312	43	2.6	78	4.5	134.4	50
VEM-5500/4	5576	55	2.3	73	6.5	192.2	60
VEM-7200/4	7188	72	3	75	9.6	253	70
VEM-9000/4	8984	90	5.8	83	13.4	268.6	70
VEM-10000/4	10052	100	6.3	82	14.4	311.8	80

4 POLES-1500 rpm

Type	A	B	C	D	E	F	ΦG	H	I	L	M	N	Cable Gland	Fig
VEM-40/4	62-74	106	221	130	136	12	9	48	94	121	54	86	M20x1.5	A
VEM-80/4	62-74	106	231	131	159	15	9	64	121	123	54	112	M20x1.5	A
VEM-200/4	90	125	273	154	175	15	13	79	142	163	55	131	M20x1.5	B
VEM-250/4	90	125	303	154	175	15	13	79	142	163	70	131	M20x1.5	B
VEM-400/4	120	170	362	208	210	22	17	94	180	205	78	170	M20x1.5	B
VEM-500/4	120	170	362	208	210	22	17	94	180	205	78	170	M20x1.5	B
VEM-700/4	120	170	362	208	210	22	17	94	180	205	78	170	M20x1.5	B
VEM-800/4	120	170	362	208	210	22	17	94	180	205	78	170	M20x1.5	B
VEM-1100/4	120	170	451	208	210	22	17	94	180	205	123	170	M20x1.5	B
VEM-1400/4	140	190	453	229	262	30	17	120	247	225	96	222	M25x1.5	B
VEM-1700/4	140	190	453	229	262	30	17	120	247	225	96	222	M25x1.5	B
VEM-2400/4	140	190	519	229	262	30	17	120	247	225	129	222	M25x1.5	B
VEM-3000/4	155	255	603	302	318	35	23.5	147	295	288	140	264	M32x1.5	B
VEM-3800/4	155	255	603	302	318	35	23.5	147	295	288	140	264	M32x1.5	B
VEM-4300/4	155	255	603	302	318	35	23.5	147	295	288	140	264	M32x1.5	B
VEM-5500/4	180	280	603	332	360	37	26	168	345	304	130	310	M32x1.5	B
VEM-7200/4	200	320	608	378	411	49	28	200	424	325	120	378	M32x1.5	B
VEM-9000/4	200	320	608	378	411	49	28	200	424	325	120	378	M32x1.5	B
VEM-10000/4	125	380	726	452	430	44	39	204	422	367	160	378	M32x1.5	C

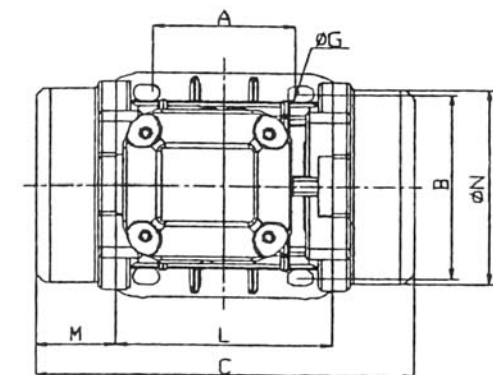
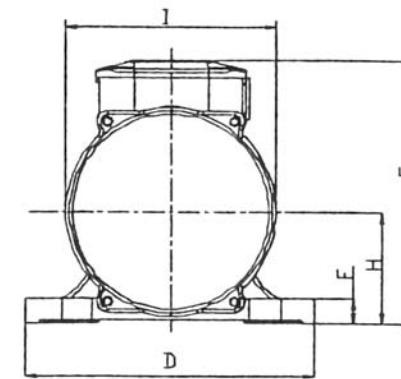
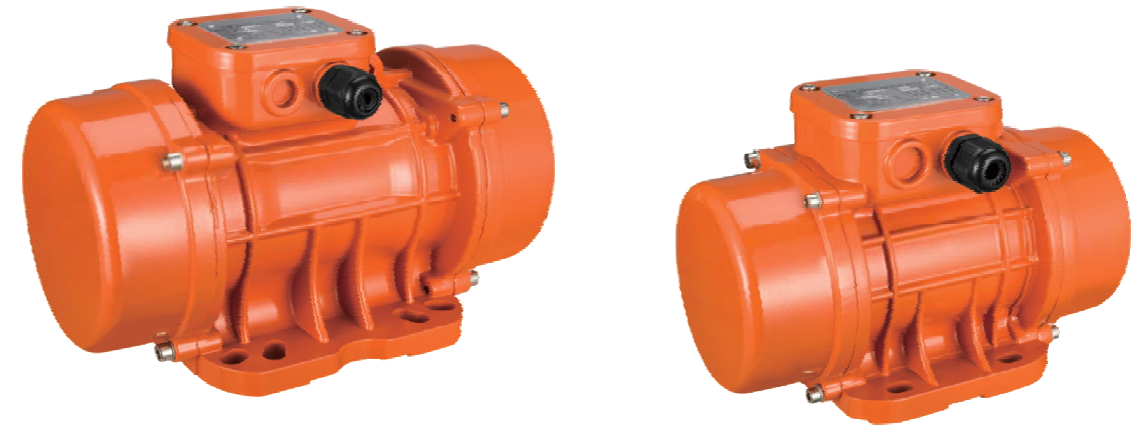


6 POLES-1000 rpm

Type	Vibrating Force kg	Vibrating Force kn	Power(KW)	Efficiency(%)	Current(A)	Weight(kg)	Size
VEM-50/6	51	0.5	0.03	25	0.38	10.4	20
VEM-200/6	185	1.8	0.15	58	0.63	19.6	30
VEM-300/6	308	3	0.2	64	0.74	26.6	30
VEM-400/6	408	4	0.25	68	0.82	30.5	30
VEM-500/6	510	5	0.37	67	1.22	34	30
VEM-800/6	781	7.8	0.5	66	1.26	61.8	40
VEM-1100/6	1067	11	0.55	68	1.42	79.4	40
VEM-1400/6	1378	14	0.7	68	1.95	81.7	40
VEM-1500/6	1500	15	0.7	68	2	83.6	40
VEM-1600/6	1600	16	0.75	73	2.06	85.4	40
VEM-2100/6	2026	21	1.1	73	2.88	114.3	50
VEM-2600/6	2573	26	1.5	77	3.63	148.6	50
VEM-3000/6	2931	30	1.7	77	4.17	155.4	50
VEM-3800/6	3835	38	2	80	4.67	215.6	60
VEM-4700/6	4721	47	2.35	81	6.01	230.8	60
VEM-5200/6	5193	52	2.6	81	6.92	279.8	70
VEM-6500/6	6491	65	2.9	81	7.76	304.4	70
VEM-8000/6	8018	80	4.5	82	12.6	325.2	70
VEM-9000/6	8936	90	5	81	13.2	337.8	70
VEM-10000/6	10170	100	6.2	83	14.3	385.8	80
VEM-13000/6	12700	130	7	84	16	422.2	80

6 POLES-1000 rpm

Type	A	B	C	D	E	F	ΦG	H	I	L	M	N	Cable Gland	Fig
VEM-50/6	90	125	273	154	175	15	13	79	142	163	55	131	M20x1.5	B
VEM-200/6	120	170	362	208	210	22	17	94	180	205	78	170	M20x1.5	B
VEM-300/6	120	170	362	208	210	22	17	94	180	205	78	170	M20x1.5	B
VEM-400/6	120	170	451	208	210	22	17	94	180	205	123	170	M20x1.5	B
VEM-500/6	120	170	451	208	210	22	17	94	180	205	123	170	M20x1.5	B
VEM-800/6	140	190	453	229	262	30	17	120	247	225	96	222	M25x1.5	B
VEM-1100/6	140	190	519	229	262	30	17	120	247	225	129	222	M25x1.5	B
VEM-1400/6	140	190	567	229	262	30	17	120	247	225	154	222	M25x1.5	B
VEM-1500/6	140	190	567	229	262	30	17	120	247	225	154	222	M25x1.5	B
VEM-1600/6	140	190	567	229	262	30	17	120	247	225	154	222	M25x1.5	B
VEM-2100/6	155	255	603	302	318	35	23.5	147	295	288	140	264	M32x1.5	B
VEM-2600/6	155	255	723	302	318	35	23.5	147	295	288	200	264	M32x1.5	B
VEM-3000/6	155	255	723	302	318	35	23.5	147	295	288	200	264	M32x1.5	B
VEM-3800/6	180	280	683	332	360	37	26	168	345	304	170	310	M32x1.5	B
VEM-4700/6	180	280	733	332	360	37	26	168	345	304	195	310	M32x1.5	B
VEM-5200/6	200	320	688	378	411	49	28	200	424	325	160	378	M32x1.5	B
VEM-6500/6	200	320	688	378	411	49	28	200	424	325	160	378	M32x1.5	B
VEM-8000/6	200	320	788	378	411	49	28	200	424	325	210	378	M32x1.5	B
VEM-9000/6	200	320	788	378	411	49	39	200	424	325	210	378	M32x1.5	B
VEM-10000/6	125	380	826	452	430	44	39	204	422	367	210	378	M32x1.5	C
VEM-13000/6	125	380	926	452	430	44	39	204	422	367	260	378	M32x1.5	C



2 POLES SINGLE-PHASE-3000 rpm

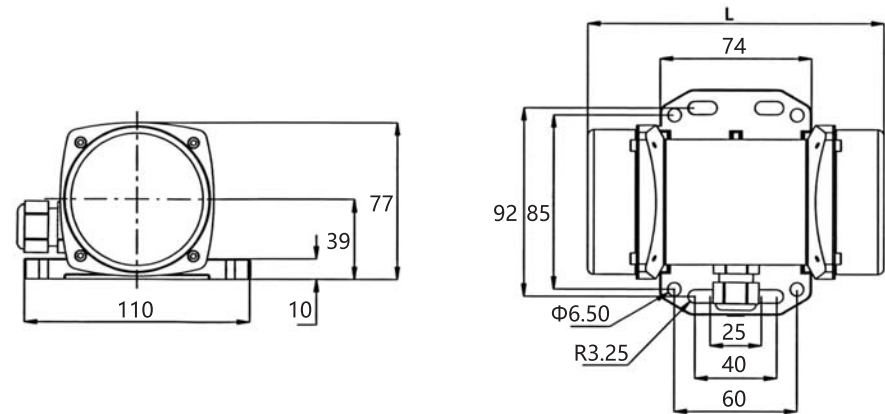
Type	Vibrating Force kg	Vibrating Force kn	Power(KW)	Current(A)	Weight(kg)	Capacitor(μF)	Size
VEM-60S	66	0.7	0.08	0.43	5.7	4	10
VEM-100S	99	1	0.1	0.54	5.9	5	10
VEM-200S	197	2	0.13	0.71	6.8	5	10
VEM-300S	311	3	0.29	1.58	10	12	20
VEM-400S	400	4	0.31	1.68	10.8	12	20

Type	A	B	C	D	E	F	ΦG	H	I	L	M	N	Cable Gland	Fig
VEM-60S	62-74	106	231	130	159	15	9	64	120	123	54	112	M20x1.5	A
VEM-100S	62-74	106	231	130	159	15	9	64	120	123	54	112	M20x1.5	A
VEM-200S	62-74	106	231	130	159	15	9	64	120	123	54	112	M20x1.5	A
VEM-300S	90	125	275	155	177	14	13	79	142	163	55	132	M20x1.5	A
VEM-400S	90	125	275	155	177	14	13	79	142	163	55	132	M20x1.5	A

MICRO SERIES VIBRATOR MOTOR

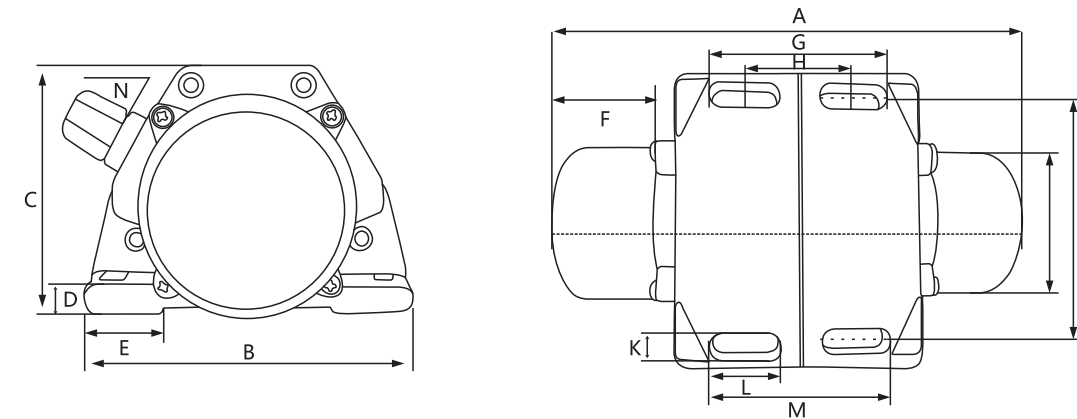
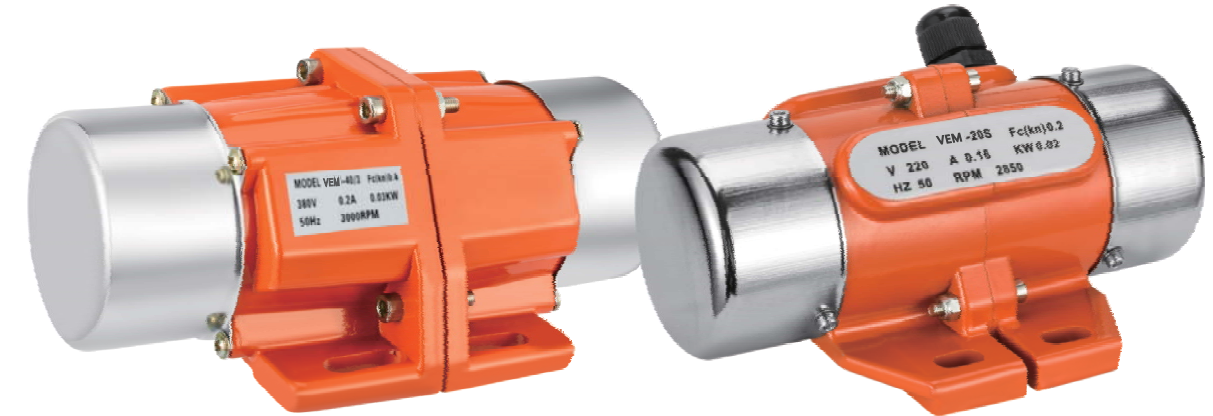
Innovation, Quality, Credit, Gold Brand
Confidence From Brand Concept,
Creating A World-famous Enterprise

-  Environmental
-  Quality
-  Efficient
-  Technology



2 POLES 3000 rpm

Type	Volt (V)	Vibrating Force kg	Vibrating Force kn	Frequency (r/min)	Power(KW)	Current(A)	Weight(kg)	Total length(mm)	Cable Length(m)
VEM-21M	220	22	0.2	3000	30	0.1	1.8	145	1+1
VEM-41M	220	40	0.4	3000	70	0.4	2.2	161	1+1
VEM-21	380	22	0.2	3000	30	0.11	1.8	145	1
VEM-41	380	40	0.4	3000	70	0.25	2.2	161	1



2 POLES 3000 rpm

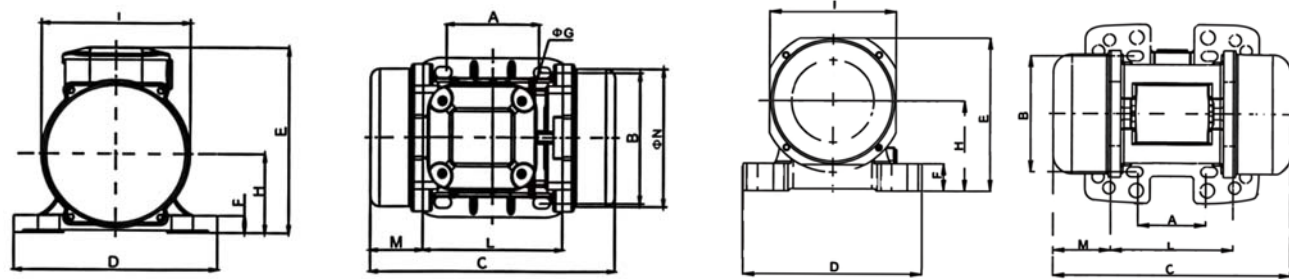
Type	Vibrating Force kg	Vibrating Force kn	Power(KW)	Current(A)	Weight(kg)	Capacitor(μF)	Size
VEM-40S	40	0.4	0.03	0.2	2	4	7
VEM-50S	50	0.5	0.035	0.22	2.1	5	7
VEM-40/3	40	0.4	0.03	0.16	2	/	7
VEM-50/3	50	0.5	0.035	0.18	2.1	/	7

Type	A	B	C	D	E	F	G	H	I	J	K	L	M	N
VEM-40S	145	112	67	9	35	38	56	33	61	90	9	22	56	M-16
VEM-50S	145	112	67	9	35	38	56	33	61	90	9	22	56	M-16
VEM-40/3	145	112	67	9	35	38	56	33	61	90	9	22	56	M-16
VEM-50/3	145	112	67	9	35	38	56	33	61	90	9	22	56	M-16

DC SERIES VIBRATOR MOTOR

Innovation, Quality, Credit, Gold Brand
Confidence From Brand Concept,
Creating A World-famous Enterprise

-  Environmental
-  Quality
-  Efficient
-  Technology



DC DIRECT CURRENT-3000 rpm

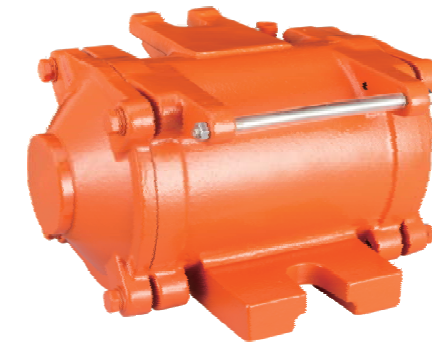
Type	Volt (V)	Vibrating Force kg	Vibrating Force kn	Frequency (r/min)	Power(KW)	Current(A)	Weight(kg)	Size
VEM-50DC-24	24	50	0.5	3000	0.1	4.2	6	10
VEM-50DC-12	12	50	0.5	3000	0.1	9.4	6	10
VEM-200DC-24	24	200	2	3000	0.16	6.67	6.5	30
VEM-200DC-12	12	200	2	3000	0.16	13.3	6.5	30

Type	A	B	C	D	E	F	ΦG	H	I	L	M	N	Cable Gland	Fig
VEM-50DC-24	62-74	106	231	130	159	15	9	64	120	123	54	112	M20x1.5	A
VEM-50DC-12	62-74	106	231	130	159	15	9	64	120	123	54	112	M20x1.5	A
VEM-200DC-24	62-74	106	218	164	140	25	9	82	116	123	53	110	M20x1.5	E
VEM-200DC-12	62-74	106	218	164	140	25	9	82	116	123	53	110	M20x1.5	E

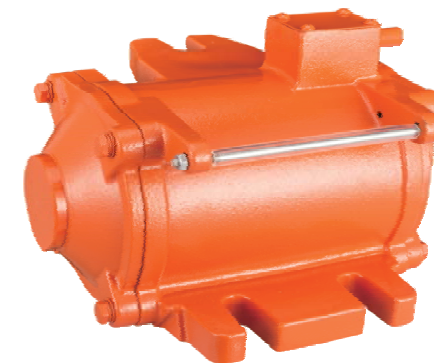
VF SERIES VIBRATOR MOTOR

Innovation, Quality, Credit, Gold Brand
Confidence From Brand Concept,
Creating A World-famous Enterprise

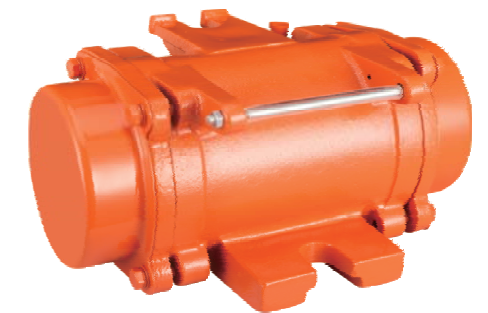
-  Environmental
-  Quality
-  Efficient
-  Technology



VF150-1
Vibrator Motor



VF150-2
Vibrator Motor



VF150-3
Vibrator Motor

TECHNICAL SPECIFICATION

Model	Power(KW/HP)	Voltage(V)	Frequency(Hz)	G.W.(KG)	Material body	Size(cm)
VF150	1.5/2	380	180	20	Nodular Cast Iron	30*28*15



Thailand Distributor :
7MARS TECHNOLOGY CO.,LTD
428 Ramkhamhaeng Rd., Huamark Subdistrict, Bangkok District, Bangkok,
Thailand 10240
www.7-mars.com, www.siamenergysaving.com, www.ledartlamp.com
Email : info@7-mars.com, Office Tel : +66 (02) 114 7145-9 Ext. Sales
WeChat / WathApp / Lind ID : +660964501250