

# Gelcoat Filters

COMBINATION OF QUALITY AND ELEGANCE

For residential and commercial pools



 **Emaux**  
water technology

# Product Features

Tank Material

**Gelcoat Fiberglass**

Max Operating Pressure

**36 psi / 2.5 bar**

Max Temperature

**43°C (109°F)**

Suggested Size of Media

**0.5-0.8mm**

## TMG & SMG Gelcoat Filter STRIVE FOR PERFECTION

Emaux Gelcoat Filters are produced by skilled workers and experienced engineers in modern manufacturing facilities. Each product is subject to a 100% inspection at every production stage and a strict hydrostatic pressure test. In order to achieve their best performance, 20,000 cycle tests were conducted to determine the specifications of the filters.

### Technical Information:

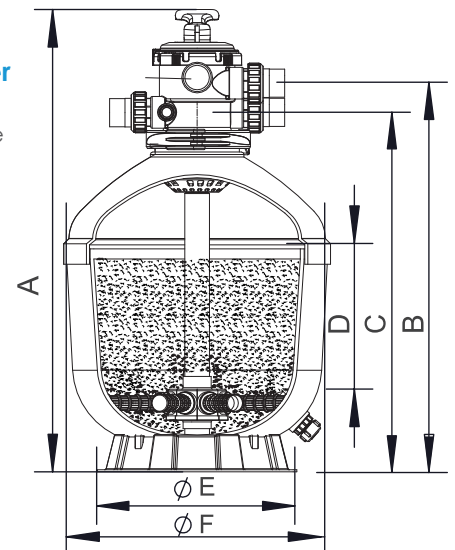
Code	Model	Filter Area (m <sup>2</sup> )	Valve Connections	Max Flow Rate	Sand (kg)
88015504	TMG500	0.20	1.5" / 50mm	167lpm 10.0m <sup>3</sup> /h	88
88015505	TMG650	0.33	1.5" / 50mm	275lpm 16.5m <sup>3</sup> /h	158
88015506	TMG650(B)	0.33	2.0" / 63mm	275lpm 16.5m <sup>3</sup> /h	158
88015563	TMG750	0.44	2.0" / 63mm	366lpm 22.0m <sup>3</sup> /h	260
88015564	TMG900	0.64	2.0" / 63mm	533lpm 32.0m <sup>3</sup> /h	422

### Product Dimensions:

Model	A mm	B mm	C mm	D mm	E mm	F mm
TMG500	886	750	693	286	390	500
TMG650	998	862	805	318	500	650
TMG650(B)	1034	887	821	251	500	650
TMG750	1159	1029	945	393	500	750
TMG900	1294	1163	1080	450	780	900

### TMG Top Mount Filter is equipped with :

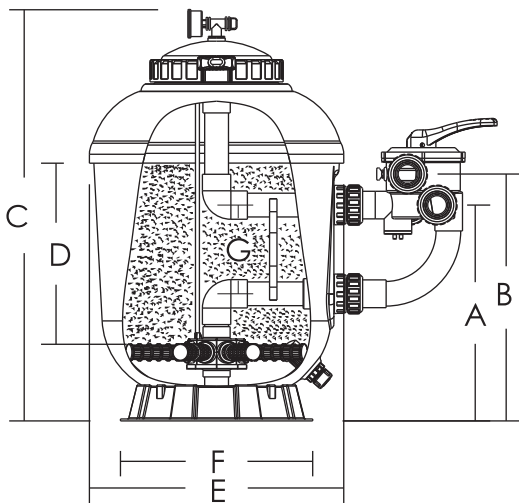
1. 6-way clamp/bolt style multiport valve (1.5"MPV07, 2"MPV08, 2"MPV02)
2. universal standard of union connection
3. pressure gauge
4. ABS lateral system



Model: TMG500

## Advantages

1. Non corrosive gelcoat fiberglass tank with smooth finish
2. Can be produced in different colours for choice of appearance
3. SMG: Curved valve connecting elbow reduces head loss
4. SMG: Transparent lid provides clear view of filter media, and an air release valve allows trapped air to be evacuated



## Technical Information:

Code	Model	Filter Area (m <sup>2</sup> )	Valve Connections	Max Flow Rate	Sand (kg)
88014004	SMG500	0.20	1.5" / 50mm	167lpm 10.0m <sup>3</sup> /h	100
88014005	SMG650	0.33	1.5" / 50mm	275lpm 16.5m <sup>3</sup> /h	150
88014063	SMG750	0.44	2.0" / 63mm	369lpm 22.1m <sup>3</sup> /h	250
88014064	SMG900	0.64	2.0" / 63mm	531lpm 31.8m <sup>3</sup> /h	375

### SMG Side Mount Filter is equipped with :

1. 6-way multiport valve (1.5"MPV03,2"MPV04)
2. universal standard of union connection
3. pressure gauge
4. ABS lateral system
5. piping kit

## Product Dimensions:

Model	A mm	B mm	C mm	D mm	E mm	F mm	G mm
SMG500	438	501	835	360	516	390	180
SMG650	453	516	926	380	666	390	180
SMG750	517	603	1023	440	770	500	220
SMG900	570	656	1163	480	920	780	220

# Product Features

## SMG Commercial Gelcoat Filter

For semi-commercial pool / commercial hot spa

### Technical Information:

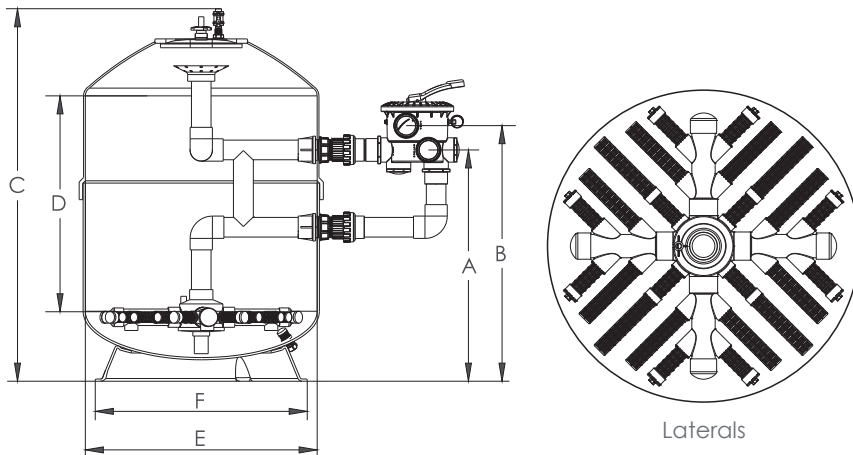
Code	Model	Filter Area (m <sup>2</sup> )	Valve Connections	Max Flow Rate	Sand (kg)	
9011607	SMG1050C	0.86	2.5" / 75mm	717lpm	43.0m <sup>3</sup> /h	1200
9011605	SMG1050	0.86	3.0" / 90mm	717lpm	43.0m <sup>3</sup> /h	1200
9011606	SMG1200	1.13	3.0" / 90mm	942lpm	56.5m <sup>3</sup> /h	1600

### Product Dimensions:

Model	A mm	B mm	C mm	D mm	E mm	F mm
SMG1050C	687	784	1686	1000	1050	1000
SMG1050	1047	1157	1686	1000	1050	1000
SMG1200	1040	1150	1724	1000	1200	1000



Model: SMG1050C



### SMG Commercial Side Mount Filter is equipped with :

1. 6-way multiport valve
2. universal standard of union connection
3. pressure gauge
4. PVC & ABS lateral system
5. piping kit

EMAUX WATER TECHNOLOGY CO., LTD

ADDRESS G/F 41 TIN HAU TEMPLE ROAD,

NORTH POINT, HONG KONG

PHONE +852 2832 9880

www.emauxgroup.com

 STRIVE FOR CLEAR WATER

ALL SPECIFICATIONS ARE SUBJECT TO CHANGE WITHOUT NOTICE.

© 2018 EMAUX WATER TECHNOLOGY CO., LTD. ALL RIGHTS RESERVED.

Available from:

www.emauxgroup.com