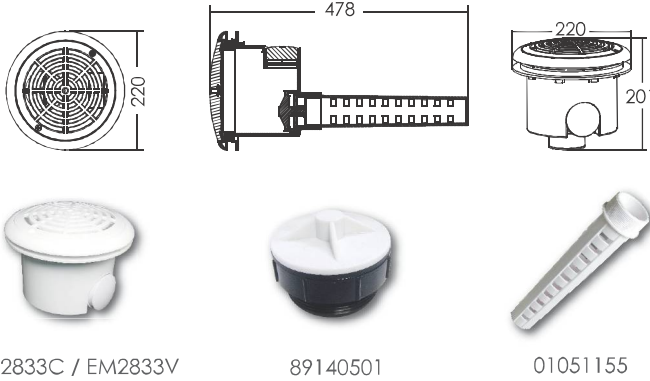


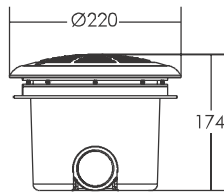
2" Main Drain

Model	Code	Description	Flow Rate (L/min)
EM2833HC	88140512	2" Main Drain for Concrete Pool with Hydrostatic Relief Valve & Collection Tube	240
EM2833HV	88140612	2" Main Drain for Vinyl Pool with Hydrostatic Relief Valve & Collection Tube	240
EM2833C	88140712	2" Main Drain for Concrete Pool	240
EM2833V	88140812	2" Main Drain for Vinyl Pool	240
-	89140501	Hydrostatic Relief Valve	N/A
-	01051155	Hydrostatic Relief Valve Collection Tube Only	N/A



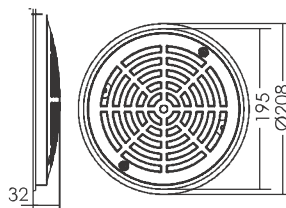
1.5" Main Drain

Model	Code	Colour	Material	Installation	Connection	Flow Rate (L/min)
EM2832C	88140312	White	ABS	Concrete Pool	1-1/2"	150
EM2832V	88140412	White	ABS	Vinyl Pool	1-1/2"	150



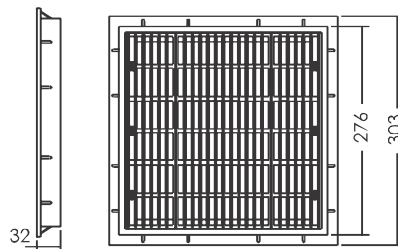
Round Drain Cover

Model	Code	Colour	Material	Flow Rate (L/min)
EM2830	88140112	White	ABS	558

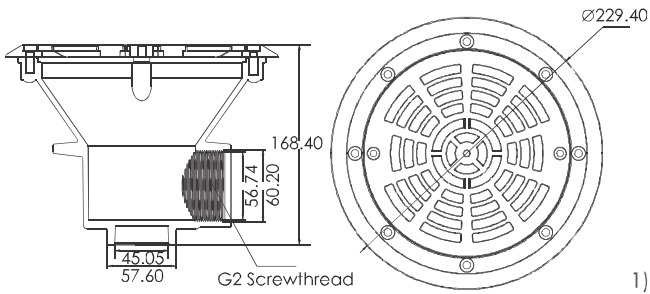


Square Drain Cover

Model	Code	Colour	Material	Flow Rate (L/min)
EM2812	88140212	White	ABS	850

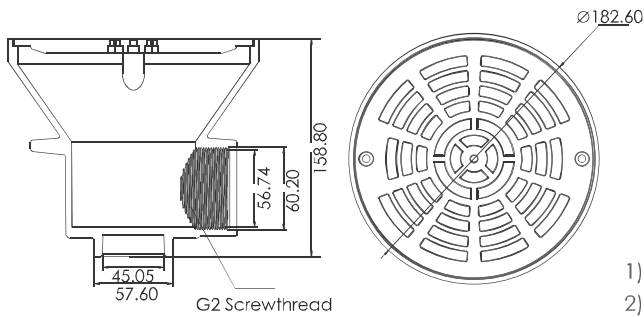


Model	Code	Colour	Material	Flow Rate (L/min)
EM2837	88142312	White	ABS	217



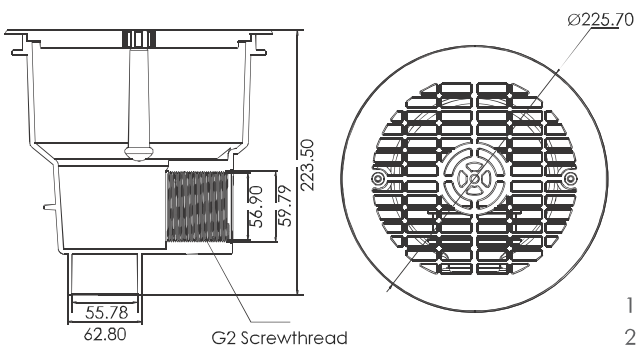
- 1) For vinyl pool and liner pool
- 2) G2 internal thread, can be installed with G2A external thread connector

Model	Code	Colour	Material	Flow Rate (L/min)
EM2838	88142412	White	ABS	217



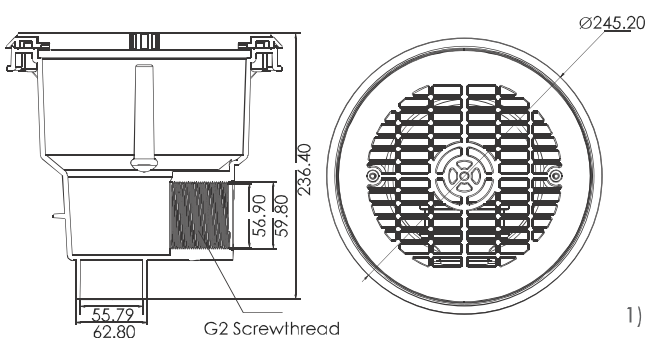
- 1) For concrete pool
- 2) G2 internal thread, can be installed with G2A external thread connector

Model	Code	Colour	Material	Flow Rate (L/min)
EM2839	88142512	White	ABS	217



- 1) For concrete pool
- 2) G2 internal thread, can be installed with G2A external thread connector

Model	Code	Colour	Material	Flow Rate (L/min)
EM2840	88142612	White	ABS	217



- 1) For vinyl pool and liner pool
- 2) G2 internal thread, can be installed with G2A external thread connector