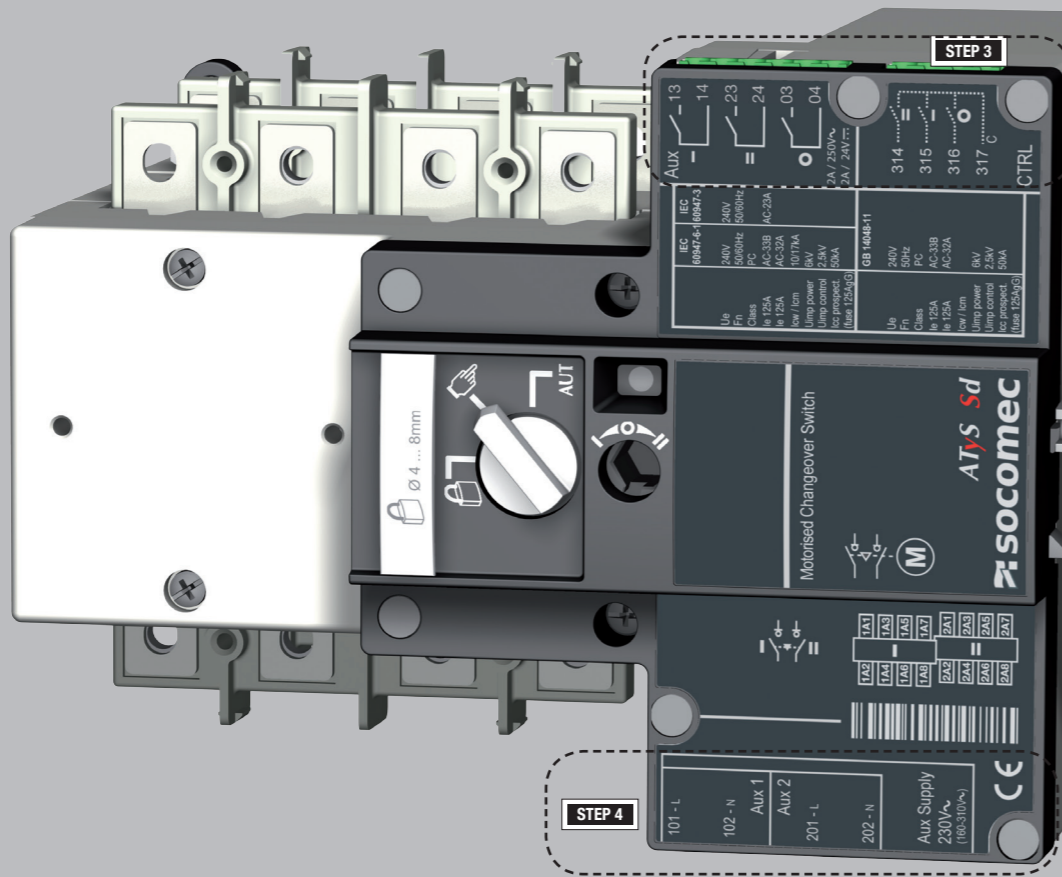
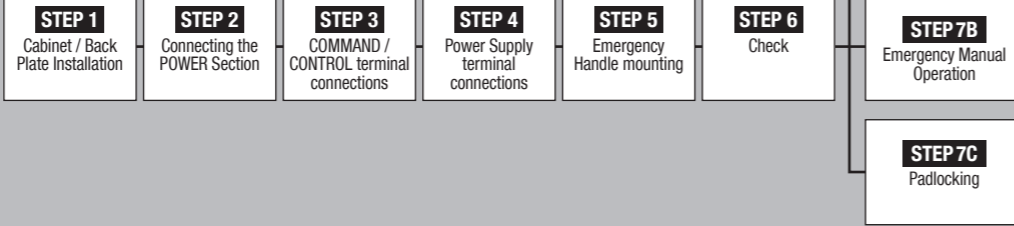


ATyS S / Sd

Motorised Source Changeover Switch

Installation and Commissioning



Preliminary operations

Check the following upon delivery and after removal of the packaging:

- Packaging and contents are in good condition.
- The product reference corresponds to the order.
- Contents should include:
Qty 1 x ATyS S / Sd product
Qty 1 x handle and storage clip
Quick Start instruction sheet
Qty 1 set of 3 terminal connectors
Qty 1 set of 16 screws, nuts and washers for connecting the power section.

Warning

⚠ Risk of electrocution, burns or injury to persons and / or damage to equipment.

This Quick Start is intended for personnel trained in the installation and commissioning of this product. For further details refer to the product instruction manual available on the SOCOMECS website.

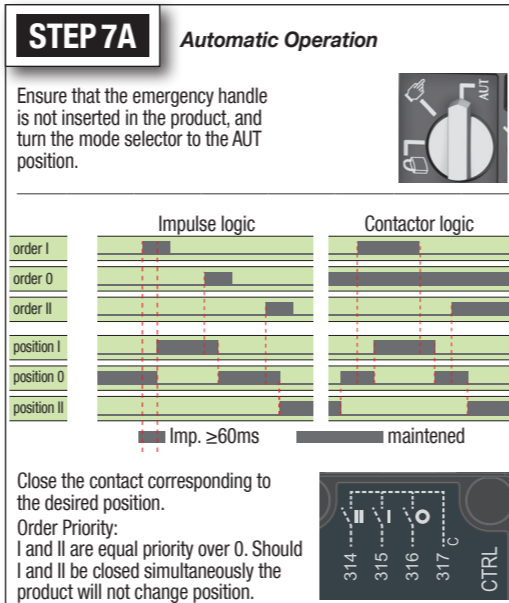
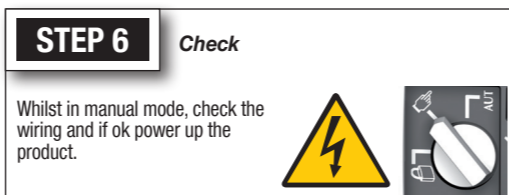
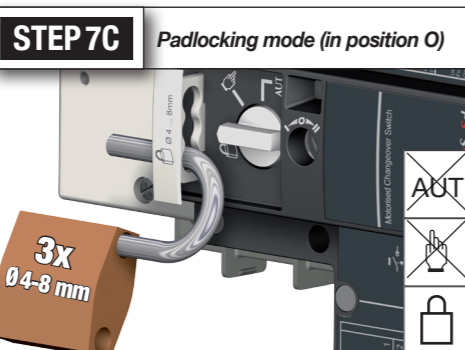
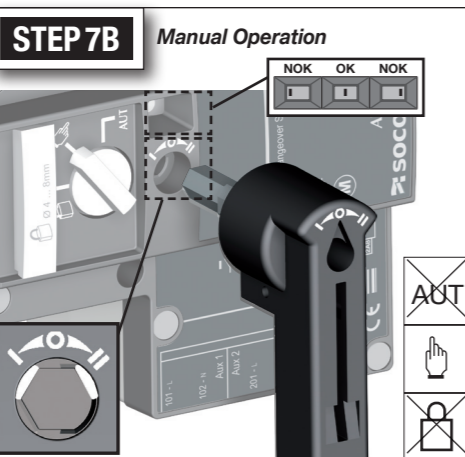
- This product should always be installed and commissioned by qualified and approved personnel.
- Maintenance and service operations should be performed by trained and authorised personnel.
- Do not handle any control or power cables connected to the product when voltage may be, or may become present on the product, directly through the mains or indirectly through external circuits.
- Always use an appropriate voltage detection device to confirm the absence of voltage.
- Ensure that no metal objects are allowed to fall in the cabinet (risk of electrical arcing).

Failure to observe good engineering practises as well as to follow these safety instructions may expose the user and others to serious injury or death.

- ⚠ Risk of damage the device
- In case the product is dropped or damaged in any way it is recommended to replace the complete product.

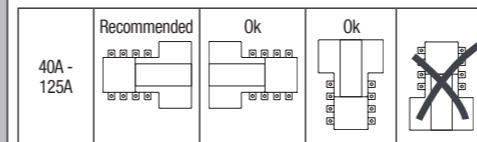
Accessories

- Bridging bars 4P 125A.
 - Control voltage transformer 400V -> 230V.
 - Terminal Shrouds Supply side / Load side.
 - Secure Connector Bracket.
 - Voltage taps.
 - DIN-rail 4 modules.
 - ATS Controller type ATyS C30 + D10/D20.
 - ATS Controller type ATyS C40.
- For further details refer to the product instruction manual under chapter "Spares and Accessories"

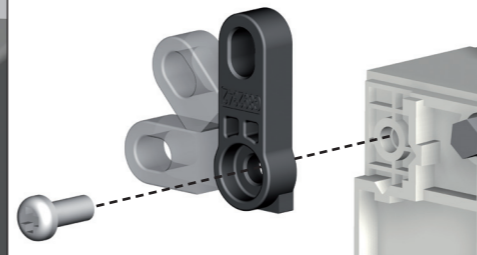


STEP 1 Installation

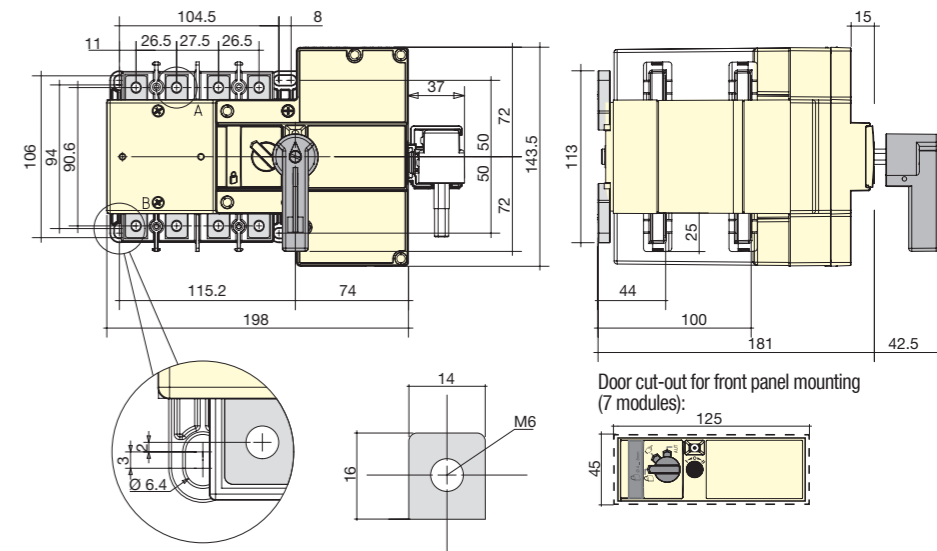
Attention: Ensure that the product is installed on a flat rigid surface. Orientation:



Detailed fixing point: 0° - 45° - 90°



All dimensions in mm.

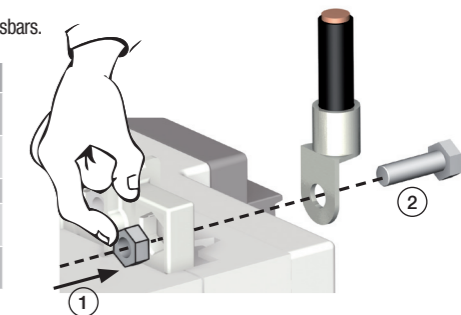


STEP 2 Power Terminal Connections

To be connected using terminal lugs, rigid or flexible busbars.

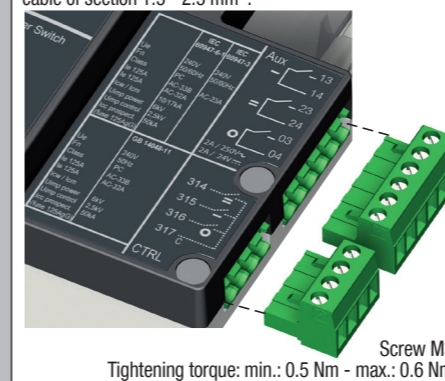
	40 A	63 A	80 A	100 A	125 A
Minimum cable section Cu (mm ²) at lth	10	16	25	35	50
Maximum cable section Cu (mm ²)	70	70	70	70	70
Type of screw	M6	M6	M6	M6	M6
Recommended tightening torque (N.m)	4.5	4.5	4.5	4.5	4.5
Maximum tightening torque (N.m)	5.4	5.4	5.4	5.4	5.4

All values are indicative.

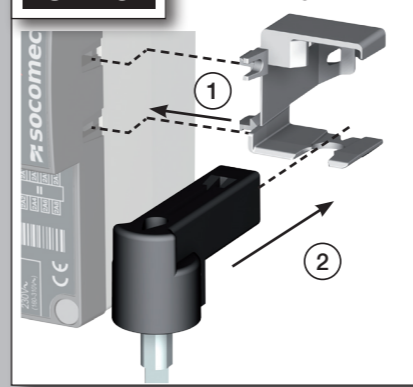


STEP 3 CONTROL / COMMAND Terminals

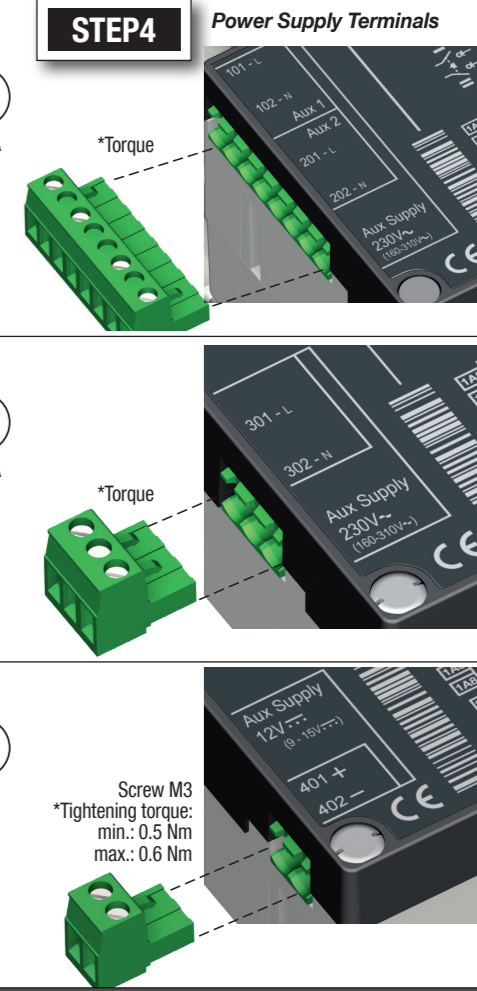
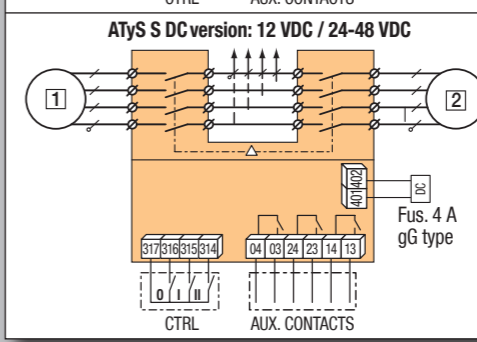
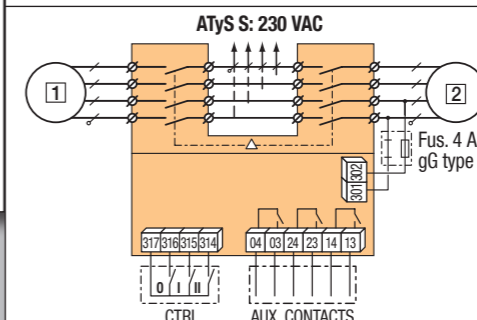
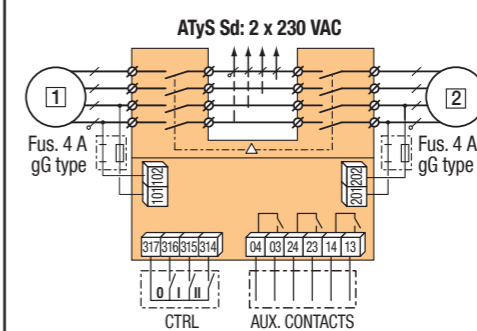
Ensure that the product is in manual mode and connect the product controls using the supplied connectors and suitable cable of section 1.5 - 2.5 mm².



STEP 5 Handle Storage Assembly



STEP 4 Power Supply Terminals



www.socomec.com
To download brochures, catalogues and technical manuals:



Printing informations: 1 color Black. White paper 90g/m².
Printing size: 420x297. Final size 210x148. This page visible first.



Non contractual document.
Subject to change without notice.