

LED Wireless Driver

- RF 2.4GHz wireless signal, no need signal cable.
- Dimming, CT, RGB, RGBW LED lights can be controlled.
- Compatible with F series remote.
- Compatible with EX series touch panel.
- Support APP and intelligent speaker control if equipped with wifi-108 gateway.
(note: only with L-BUS identity can support advanced mode.)



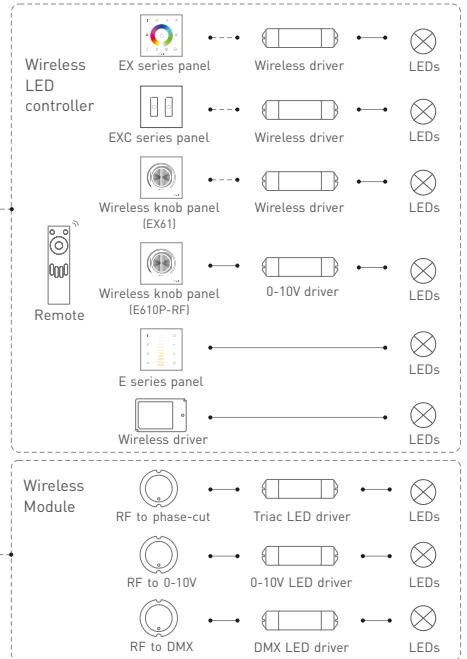
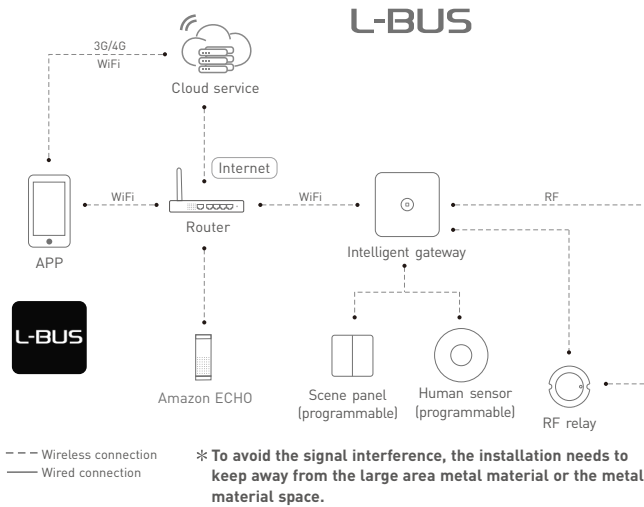
F4-3A



F4-5A/F4-CC



System diagram

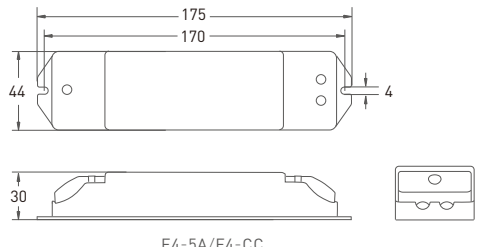
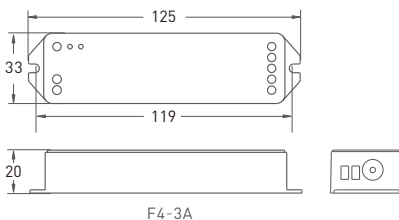


Specification

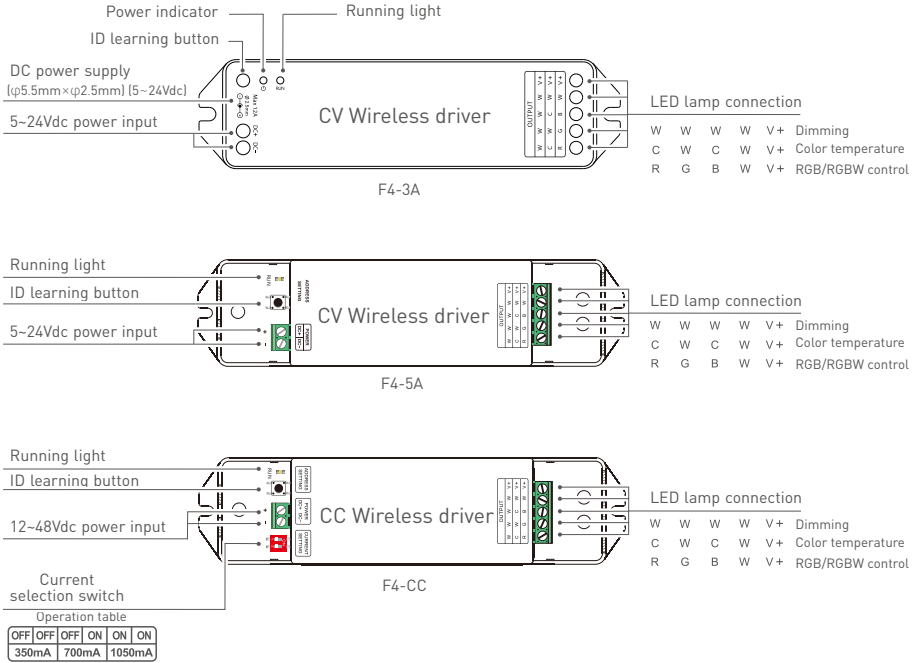
| Model | F4-3A | F4-5A | F4-CC |
|---------------------|-------------------------------|---|---------------------------------|
| Name | CV LED wireless driver | | CC LED wireless driver |
| Wireless signal | RF 2.4GHz | | |
| Input voltage | 5~24Vdc | | 12~48Vdc |
| Output voltage | 5~24Vdc | | 3~46Vdc |
| Current load | 3A × 4CH Max. 12A | 5A × 4CH Max. 20A | CC 350/700/1050mA × 4CH |
| Output power | (0~15W...72W) × 4CH Max. 288W | (0~25W...120W) × 4CH Max. 480W | (1.05W~48.3W) × 4CH Max. 193.2W |
| Protection | Reverse connection protection | Over current / Over-heat / Short circuit / Open circuit / Reverse connection protection, auto recovers. | |
| Working temperature | -30°C~55°C | | |
| Product size | L125×W33×H20(mm) | L175×W44×H30(mm) | |
| Package size | L127×W35×H22(mm) | L178×W48×H33(mm) | |
| Weight(G.W.) | 60g | 150g | 165g |

Product size

Unit: mm



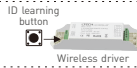
Terminal description



Match code (ID learning button method)

Step 1:

Short press "ID learning button" on driver, the lamps flicker, please complete step 2 within 15 seconds.



Match code (power on method)

Step 1:

The driver power off.



Step 2:

Match with F series remote:

Single zone remote: Long press "On/Off" key.
Multi-zone remote: Long press the matching zone's "ON" & "OFF" keys simultaneously.



Match with EX series panel:

Single zone panel: Long press "On/Off" key, then press any key.
Multi-zone panel: Long press "On/Off" key, then press the matching zone key.
* Please match code when panel is power-on.



Match with WiFi gateway:

Turn on APP, enter "zone set" interface, click the right top "MATCH" key, then follow the prompts.



Step 2:

Match with F series remote:

Single zone remote: Hold down "On/Off" key, meanwhile the driver power on.
Multi-zone remote: Hold down the matching zone's "On" & "Off" keys simultaneously, meanwhile the driver power on.



Match with EX series panel:

- Single zone panel: Long press "ON/OFF" key until all indicator light flicking.
Multi-zone panel: Long press "ON/OFF" key until all zone's indicator light flicking.
- The driver power on, the lamps flicker slowly, please complete step C within 15s.
- Single zone panel: press any key on panel.
Multi-zone panel: press the matching zone key.
* Please match code when panel is power-on.



Match with WiFi gateway:

Turn on APP, enter "zone set" interface, click the right top "MATCH" key, then follow the prompts.



Step 3:

The lamps of driver flicker quickly and then stop flicking, the buzzer long beep, match code successfully.

Step 3:

The lamps of driver flicker quickly and then stop flicking, the buzzer long beep, match code successfully.

Clear code (ID learning button method)

Long press "ID learning button" on driver for 10 seconds, If the lamps flicker 5 times, deactivate the matching successfully.



Clear code (power on method)

Power on and off driver continuously for 10 times, If the lamps flicker 5 times, deactivate the matching successfully.



* No further notice if any changes in the manual.
Product function depends on the goods.
Please feel free to contact our official distributor if any question.