

RELAY MODULE



PLC ULTRA-THIN RELAY SOCKET



MODEL DESCRIPTION

FY - 41F - 1 / □ - □
 Color: Grey, black, green, blue
 Coil Voltage: 12V, 24V, 48V, 60VDC/AC;
 110VAC, 220VAC
 Serial
 Optional:
 1) Electromagnetic Relay
 2) SSR Relay
 Vendor Code

FEATURES

- 6A rated current
- 1NO, 1NC
- Compact design with 6.2mm thickness
- Relay working LED indicator
- Input circuit protection
- DIN Rail mountable for width :35mm



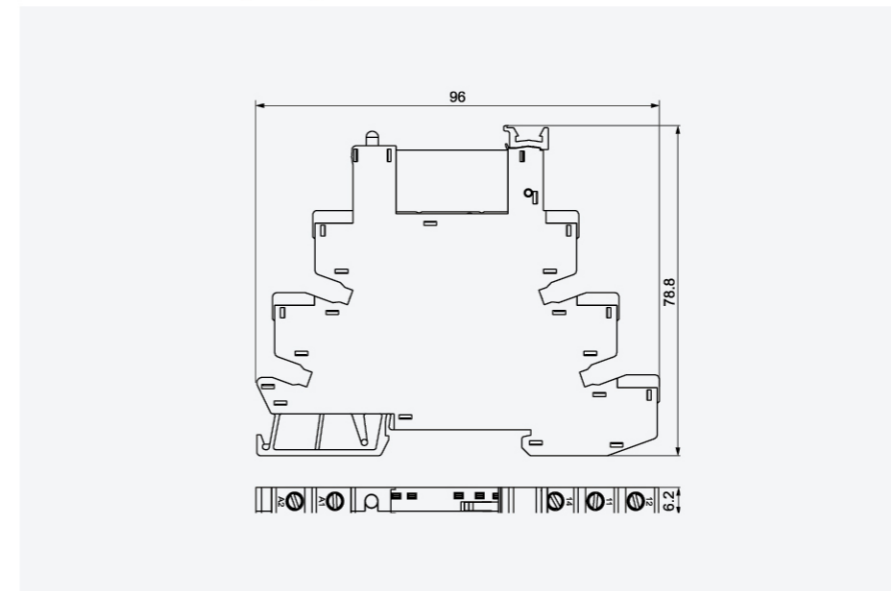
MODEL DESCRIPTION

Model	Input voltage	Coil voltage
FY-41F-1/12V	12VDC/AC	12VDC
FY-41F-1/24V	24VDC/AC	24VDC
FY-41F-1/48V	48VDC/AC	48VDC
FY-41F-1/60V	60VDC/AC	60VDC
FY-41F-1/110V	110VAC	60VDC
FY-41F-1/220V	220VAC	60VDC

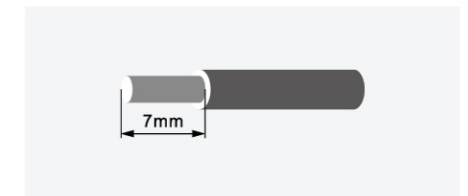
SPECIFICATIONS

Rated output Current	6A
Rated output Voltage	250VAC/30VDC
Dielectric Strength	Between Coil & Contacts:4000V/S Between Open Contacts:2500V/S
Torque	0.5Nm
Suitable Cable	0.2~2.5m ²
Ambient temperature	-20°C ~ 50°C
Power Consumption	0.32W
Suitable SSR	FY-N5G
Suitable Relay	HF-41F

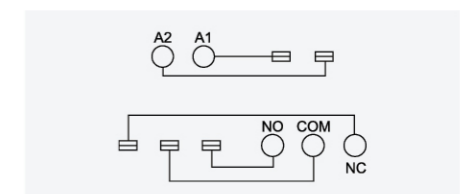
DIMENSIONS(MM)



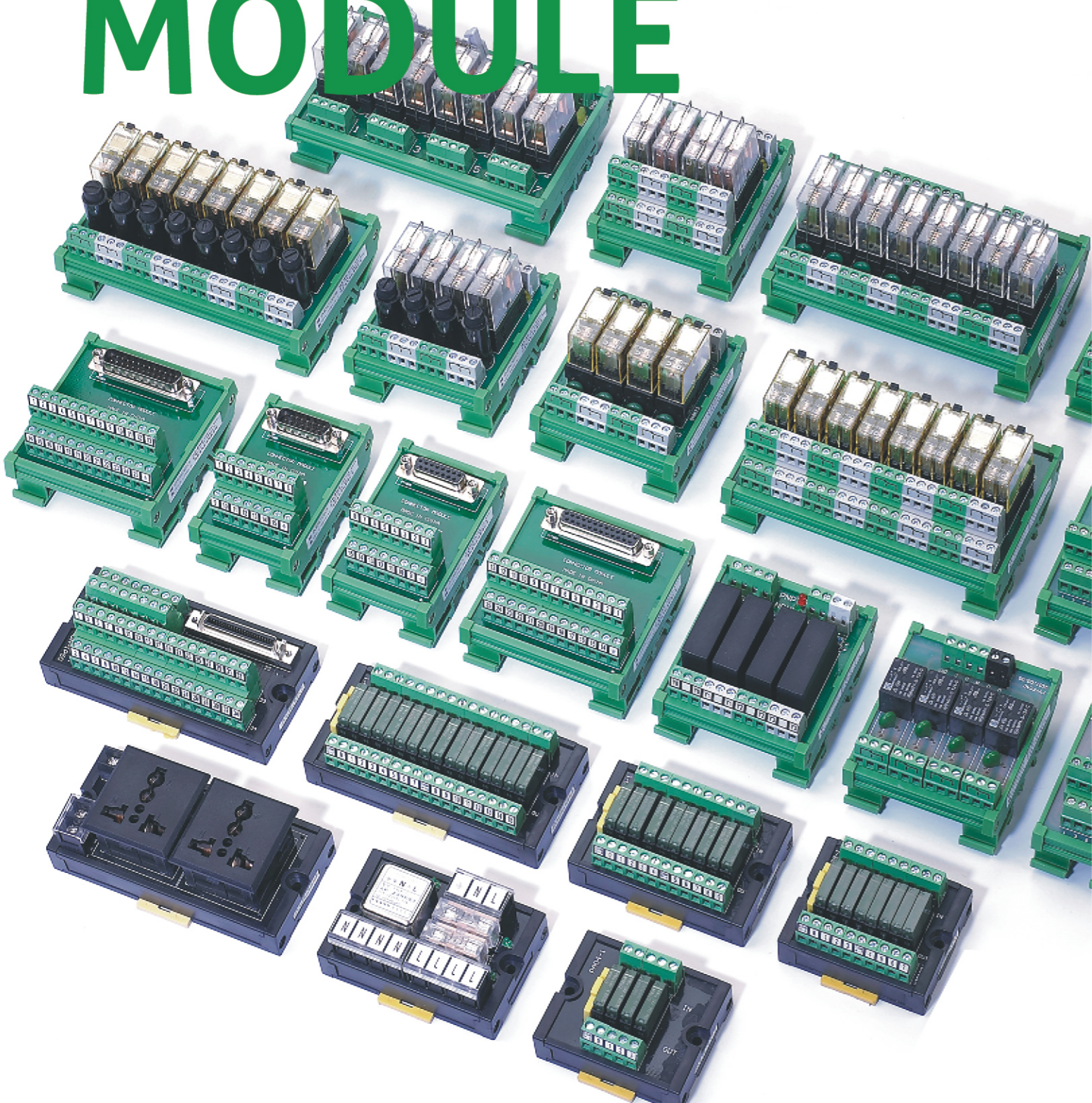
STRIPPING LENGTH



WIRING DIAGRAM



Model	Weight	L×W×H (mm)
FY-41F-1	30g	96×6.2×78.8



PLC ULTRA-THIN RELAY SOCKET

MODEL DESCRIPTION

FY - 41F - 2 / □ - □
 Color: Grey, black, green, blue
 Coil Voltage: 12V, 24V, 48V, 60VDC/AC;
 110VAC, 220VAC
 Serial
 Optional:
 1) Electromagnetic Relay
 2) SSR Relay
 Vendor Code

FEATURES

- 6A rated current
- 1NO, 1NC
- Compact design with 6.2mm thickness
- Relay working LED indicator
- Input circuit protection
- DIN Rail mountable for width :35mm

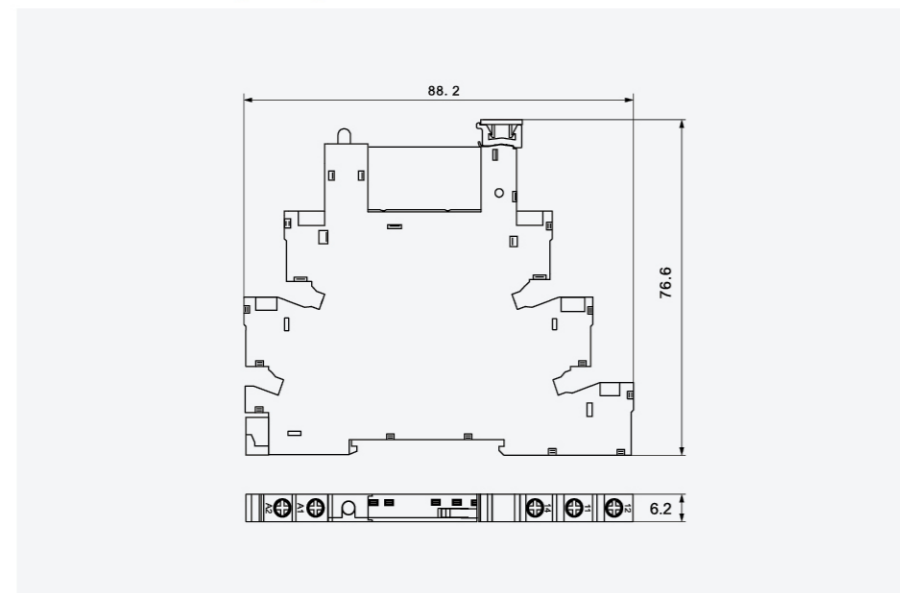
MODEL DESCRIPTION

Model	Input voltage	Coil voltage
FY-41F-2/12V	12VDC/AC	12VDC
FY-41F-2/24V	24VDC/AC	24VDC
FY-41F-2/48V	48VDC/AC	48VDC
FY-41F-2/60V	60VDC/AC	60VDC
FY-41F-2/110V	110VAC	60VDC
FY-41F-2/220V	220VAC	60VDC

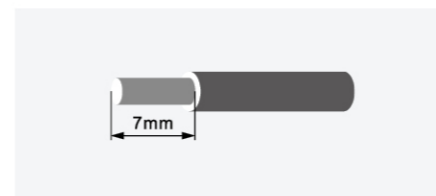
SPECIFICATIONS

Rated output Current	6A
Rated output Voltage	250VAC/30VDC
Dielectric Strength	Between Coil & Contacts:4000V/S Between Open Contacts:2500V/S
Torque	0.5Nm
Suitable Cable	0.2~2.5m ²
Ambient temperature	-20°C ~50°C
Power Consumption	0.32W
Suitable SSR	FY-N5G
Suitable Relay	HF-41F

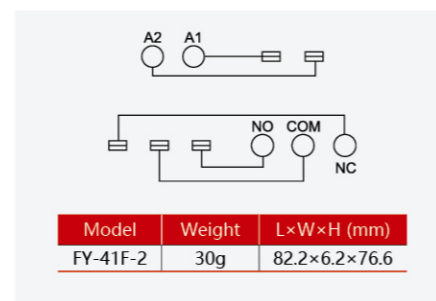
DIMENSIONS(MM)



STRIPPING LENGTH



WIRING DIAGRAM



CONTROL RELAY

MODEL DESCRIPTION

FY - 41F - 3 / □ - □
 Color: Grey, black, green, blue
 Coil Voltage: 12V, 24V, 48V, 60VDC/AC;
 110VAC, 220VAC
 Serial
 Optional:
 1) Electromagnetic Relay
 2) SSR Relay
 Vendor Code

FEATURES

- 6A rated current
- 1NO, 1NC
- Compact design with 6.2mm thickness
- Relay working LED indicator
- Input circuit protection
- DIN Rail mountable for width :35mm

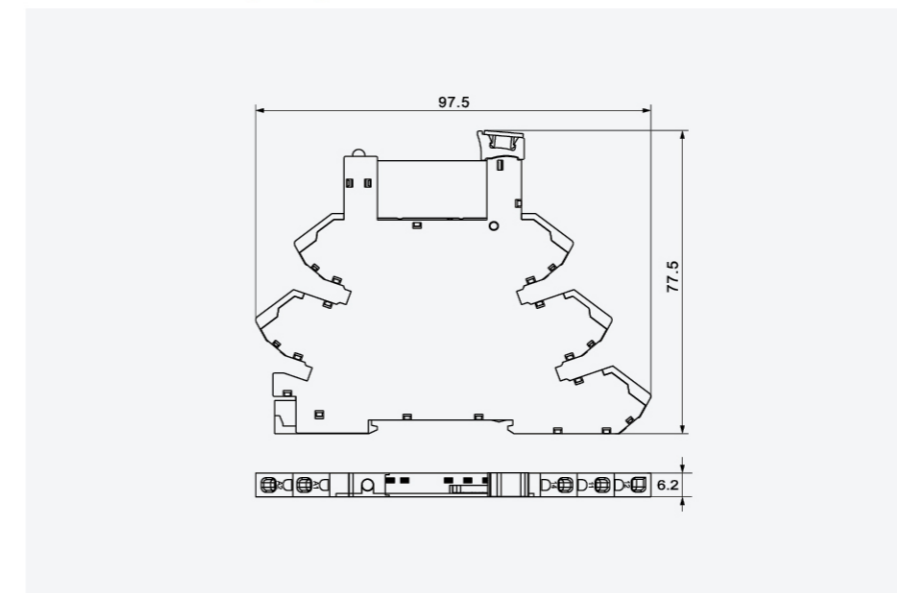
MODEL DESCRIPTION

Model	Input voltage	Coil voltage
FY-41F-3/12V	12VDC/AC	12VDC
FY-41F-3/24V	24VDC/AC	24VDC
FY-41F-3/48V	48VDC/AC	48VDC
FY-41F-3/60V	60VDC/AC	60VDC
FY-41F-3/110V	110VAC	60VDC
FY-41F-3/220V	220VAC	60VDC

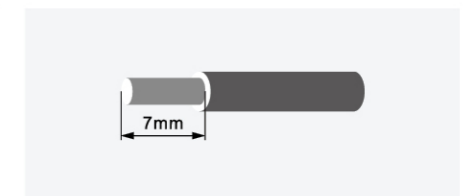
SPECIFICATIONS

Rated output Current	6A
Rated output Voltage	250VAC/30VDC
Dielectric Strength	Between Coil & Contacts:4000V/S Between Open Contacts:2500V/S
Torque	0.5Nm
Suitable Cable	0.2~2.5m ²
Ambient temperature	-20°C ~50°C
Power Consumption	0.32W
Suitable SSR	FY-N5G
Suitable Relay	HF-41F

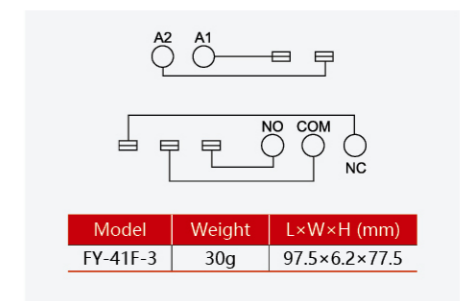
DIMENSIONS(MM)



STRIPPING LENGTH



WIRING DIAGRAM



41F SHORT BAR

MODEL DESCRIPTION

Model	Color
41F-RD	Red
41F-BK	Black
41F-BU	Blue

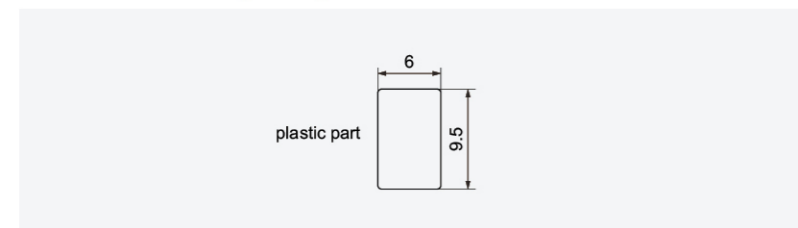
SPECIFICATIONS

Rated Current(each channel)	1A
Minium power	3W
Rated Voltage	24VDC
Working range	(0.8-1.2)Un
Control logic	actively switching to A
Power indicator	Green LED
Ambient Temperature	-20°C ~50°C

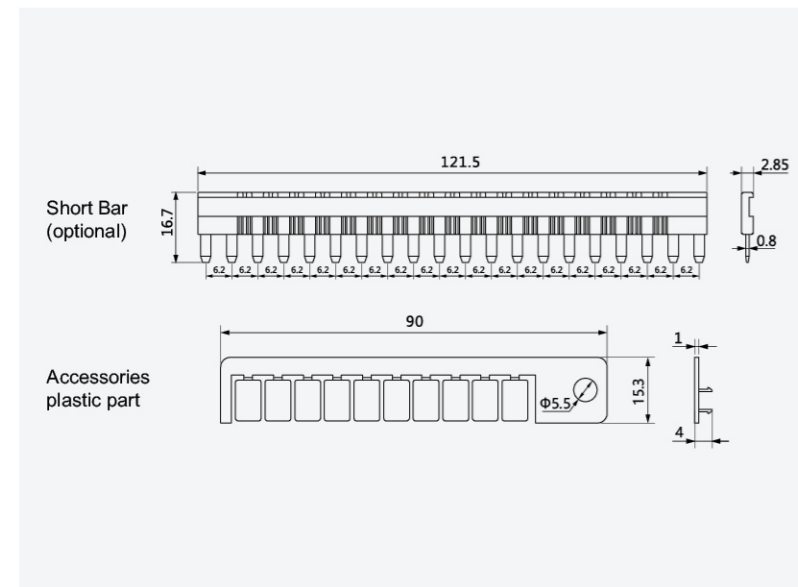
24V Logical terminal control	
Connector type	14P,conforms to IEC60603-13

24V terminal power supply		
Cable length	9.5mm	
Screw torque	0.5Nm	
Max Cable	Single cable	1×4/2×1.5m ²
		1×12/2×16AWG
	Stranded cable	1×2.5/2×1.5m ²
		1×14/2×16AWG

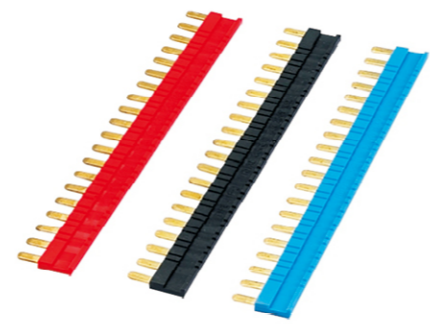
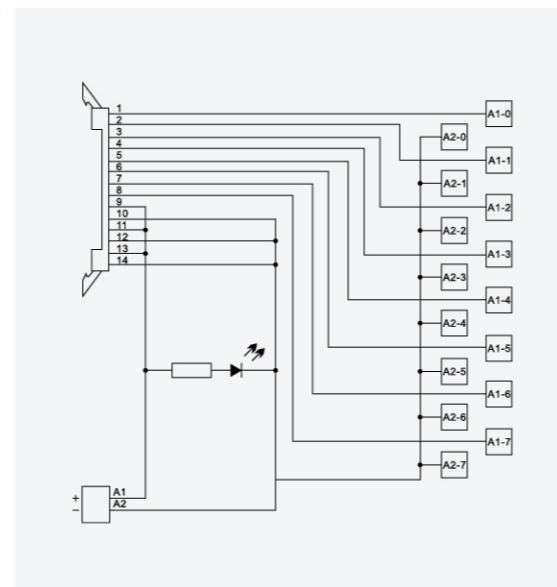
ACCESSORIES(MM)



DIMENSIONS(MM)



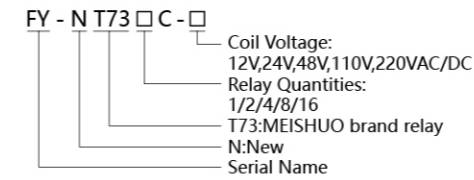
WIRING DIAGRAM



SUBMINIATURE RELAY MODULE



MODEL DESCRIPTION



APPLICATIONS

- It is used for PLC output load current amplification and isolation protection, and installed in the digital output terminal of PLC, MCU industrial control board, time relay, buttons and other controllers.
- It amplifies the output current of the output terminal for high-power equipment and weak current control, to protect the control system not being damaged.

FEATURE

- 1 NO&NC independent relay module;
- Built-in MPA Electromagnetic relay certified with CCC, TUV, UL;
- Switching current upto 10A at 250VAC or 30VDC;
- Input connections by screw terminal block. NPN&PNP can be interchangeable, AC&DC can be in compatible;
- Relay status indicator LED, surge suppression protection and overvoltage protection are provided for each relay channel;
- DIN Rail mountable for width TS15/28/35

CIRCUIT DESIGN

- Professional circuit design, with protection of short circuit, anti-interference, output over-voltage or over-current.
- The advanced production process uses wave soldering, to keep the circuit appearance perfect and quality assurance.

DIMENSION

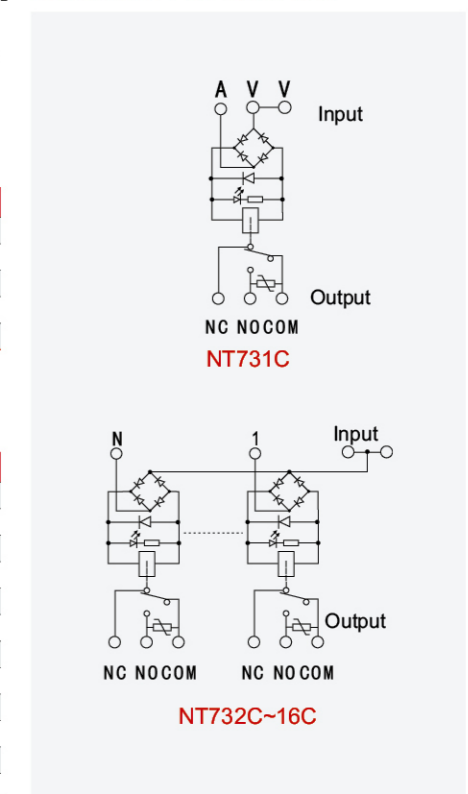
Relay Quantities	Dimension(mm)
1	18×85×43.5
2	40×85×43.5
4	70×85×43.5
8	130×85×43.5
16	250×85×43.5

SPECIFICATIONS

Input Operate Voltage	DC/AC±10%
Relay Mounting	PCB Soldered
Allowable Switching Voltage	10A 250VAC/30VDC
Contact Rating	10A
Input Current per Channel	5.3mA
Operating Time	10ms max
Release Time	5ms max
Input/Output Connection	Screw Connection
Suitable Cable	0.2~2.5mm ²
Stripping Length	6-7mm
Din Rail Mounting Size	15/28/35mm
Dielectric strength	2.5KV, 50Hz, 1MIN
Ambient temperature	-20°C ~50°C



WIRING DIAGRAM

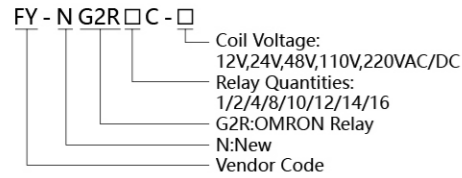


G2R RELAY MODULE

CONTROL RELAY



MODEL DESCRIPTION



APPLICATIONS

- It is used for PLC output load current amplification and isolation protection, and installed in the digital output terminal of PLC, MCU industrial control board, time relay, buttons and other controllers.
- It amplifies the output current of the output terminal for high-power equipment and weak current control, to protect the control system not being damaged.

FEATURE

- 1 NO&NC independent relay module;
- Buit-in OMRON power relay G2R-1 certified with UL, CSA, VDE, CE and RoHS compliant;
- Switching current upto 10A at 250VAC or 30VDC;
- Input connections by screw terminal block. NPN&PNP can be interchangeable, AC&DC can be in compatible;
- Relay status indicator LED, surge suppression protection and overvoltage protection are provided for each relay channel;
- DIN Rail mountable for width TS15/28/35

CIRCUIT DESIGN

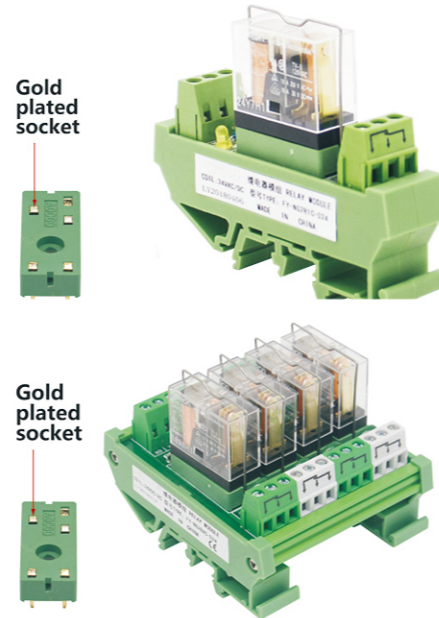
- Professional circuit design, with protection of short circuit, anti-interference, output over-voltage or over-current.
- The advanced production process uses wave soldering, to keep the circuit appearance perfect and quality assurance.

DIMENSION

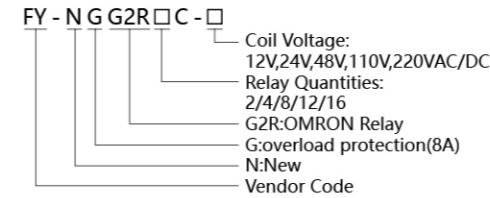
Relay Quantities	Dimension(mm)	Relay Quantities	Dimension(mm)
1	18×85×70	10	160×85×70
2	40×85×70	12	190×85×70
4	70×85×70	14	220×85×70
6	100×85×70	16	250×85×70
8	130×85×70		

SPECIFICATIONS

Input Operate Voltage	DC/AC±10%
Relay Mounting	Blade Model
Allowable Switching Voltage	10A 250VAC/30VDC
Contact Rating	10A
Input Current per Channel	6.5mA
Operating Time	15ms max
Release Time	10ms max
Input/Output Connection	Screw Connection
Suitable Cable	0.2~2.5mm ²
Stripping Length	6-7mm
Din Rail Mounting Size	15/28/35mm
Dielectric strength	2.5KV, 50Hz, 1MIN
Ambient temperature	-20°C ~50°C



MODEL DESCRIPTION



APPLICATIONS

- It is used for PLC output load current amplification and isolation protection, and installed in the digital output terminal of PLC, MCU industrial control board, time relay, buttons and other controllers.
- It amplifies the output current of the output terminal for high-power equipment and weak current control, to protect the control system not being damaged.

FEATURE

- 1 NO&NC independent relay module;
- Buit-in OMRON power relay G2R-1 certified with UL, CSA, VDE, CE and RoHS compliant;
- Switching current 10A at 250VAC or 30VDC;
- Input connections by screw terminal block. NPN&PNP can be interchangeable, AC&DC can be in compatible;
- Relay status indicator LED, surge suppression protection and overcurrent protection (8A) are provided for each relay channel;
- DIN Rail mountable for width TS15/28/35

CIRCUIT DESIGN

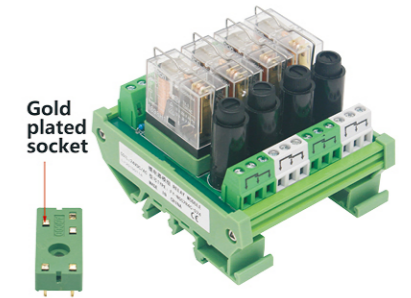
- Professional circuit design, with protection of short circuit, anti-interference, output over-voltage or over-current.
- The advanced production process uses wave soldering, to keep the circuit appearance perfect and quality assurance.

DIMENSION

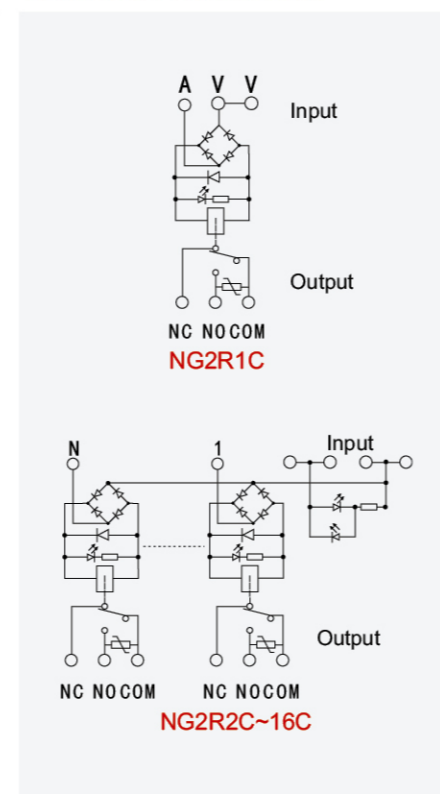
Relay Quantities	Dimension(mm)
2	40×85×70
4	70×85×70
8	130×85×70
12	190×85×70
16	250×85×70

SPECIFICATIONS

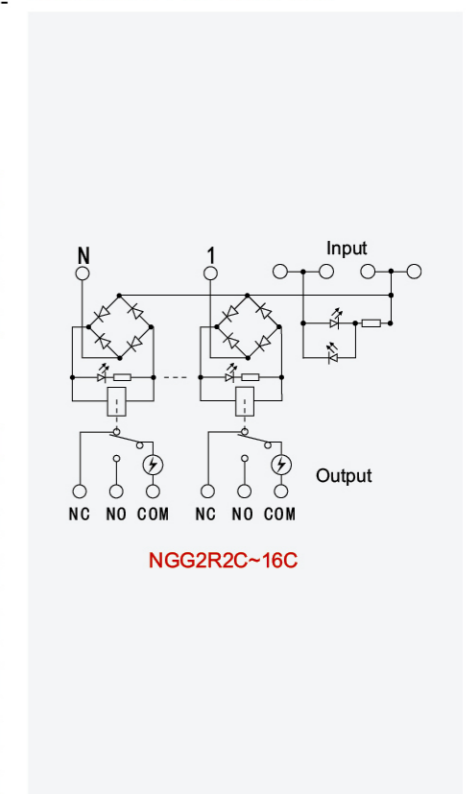
Input Operate Voltage	DC/AC±10%
Relay Mounting	Blade Model
Allowable Switching Voltage	10A 250VAC/30VDC
Contact Rating	10A
Input Current per Channel	6.5mA
Operating Time	15ms max
Release Time	10ms max
Input/Output Connection	Screw Connection
Suitable Cable	0.2~2.5mm ²
Stripping Length	6-7mm
Din Rail Mounting Size	15/28/35mm
Dielectric strength	2.5KV, 50Hz, 1MIN
Fuse holder	Buit-in Fuse 8A
Ambient temperature	-20°C ~50°C



WIRING DIAGRAM



WIRING DIAGRAM



MODEL DESCRIPTION

FY - 2 N G2R □ C - □

- Coil Voltage: 12V,24V,48V,110V,220VAC/DC
- Relay Quantities: 1/2/4/8/10/12/14/16
- G2R:OMRON Relay
- N:New
- Vendor Code

APPLICATIONS

- It is used for PLC output load current amplification and isolation protection, and installed in the digital output terminal of PLC, MCU industrial control board, time relay, buttons and other controllers.
- It amplifies the output current of the output terminal for high-power equipment and weak current control, to protect the control system not being damaged.

FEATURE

- 2 NO&NC independent relay module;
- Built-in IDEC power relay G2R - 2 certified with UL, CSA, VDE, CE and RoHS compliant;
- Switching current up to 5A at 250VAC or 30VDC;
- Input connections by screw terminal. NPN&PNP can be interchangeable, AC&DC can be in compatible;
- Relay status indicator LED, surge suppression protection and overvoltage protection are provided for each relay channel;
- DIN Rail mountable for width TS15/28/35

CIRCUIT DESIGN

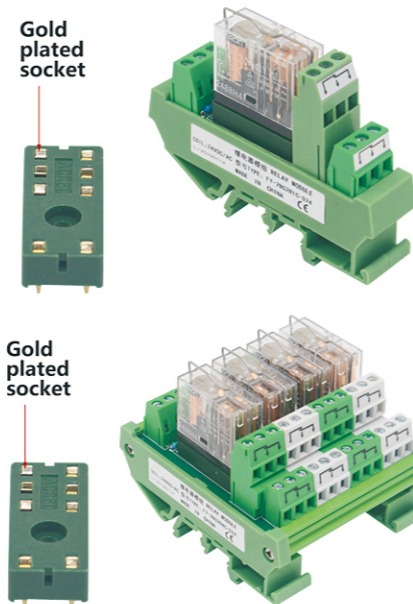
- Professional circuit design, with protection of short circuit, anti-interference, output over-voltage or over-current.
- The advanced production process uses wave soldering, to keep the circuit appearance perfect and quality assurance.

DIMENSION

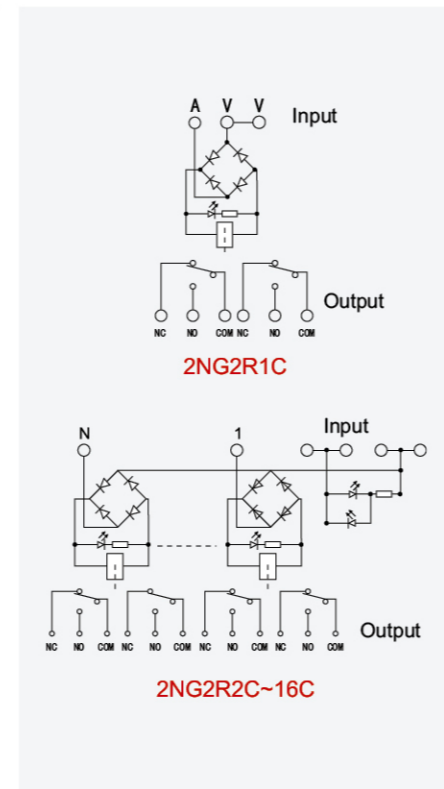
Relay Quantities	Dimension(mm)	Relay Quantities	Dimension(mm)
1	18×85×70	10	160×85×70
2	40×85×70	12	190×85×70
4	70×85×70	14	220×85×70
6	100×85×70	16	250×85×70
8	130×85×70		

SPECIFICATIONS

Input Operate Voltage	DC/AC±10%
Relay Mounting	Blade Model
Allowable Switching Voltage	5A 250VAC/30VDC
Contact Rating	5A
Input Current per Channel	6.5mA
Operating Time	15ms max
Release Time	10ms max
Input/Output Connection	Screw Connection
Suitable Cable	0.2~2.5mm ²
Stripping Length	6-7mm
Din Rail Mounting Size	15/28/35mm
Dielectric strength	2.5KV,50Hz,1MIN
Ambient temperature	-20°C ~50°C



WIRING DIAGRAM



备忘录