

# FY-41F-1

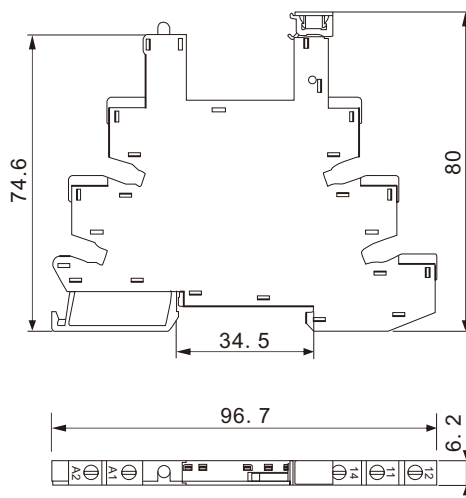
Slim Relay Mounted on Screw Socket with LED and Protection Circuit



## ■ Features

- ◆ 6A Rated Operation Current
- ◆ 1 C/O Contact
- ◆ Compact size only 6.2mm thickness
- ◆ LED Indicator when relay is energizes
- ◆ Protection Circuit

## ■ Dimension (unit:mm)



## ■ Model

FY-41F-1/230V-BLK

Manufacturer Code

Serial Name

Part number

Voltage optional:  
230VAC

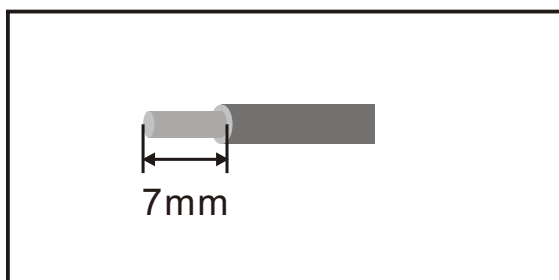
Socket Color:BLK=Black

Model	Weight	L×W×H (mm)	Screw terminal layout
FY-41F-1	24g	96.7×6.2×80.0	

## ■ Specifications

Rated Current	6A
Rated Voltage	250VAC
Dielectric Strength	4000V/S Coil&Contact 2500V/S Between Contacts
Screw Torque	0.5Nm
Suitable cable	20-16AWG
Operation Temperature	-40℃ ~+70℃

## ■ Suitable Wire for terminal block



# FY-41F-1

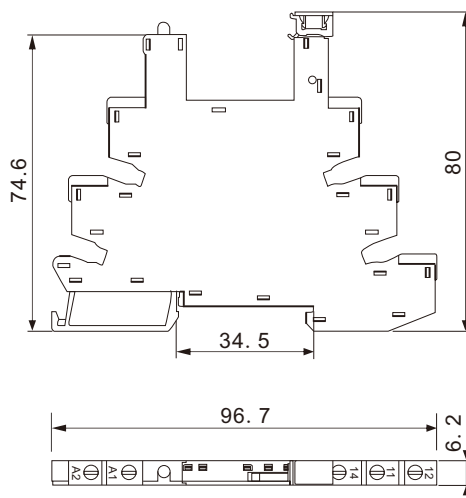
Slim Relay Mounted on Screw Socket with LED and Protection Circuit



## ■ Features

- ◆ 6A Rated Operation Current
- ◆ 1 C/O Contact
- ◆ Compact size only 6.2mm thickness
- ◆ LED Indicator when relay is energizes
- ◆ Protection Circuit

## ■ Dimension (unit:mm)



## ■ Model

FY-41F-1/240V-BLK

Manufacturer Code

Serial Name

Part number

Voltage optional:  
240VAC

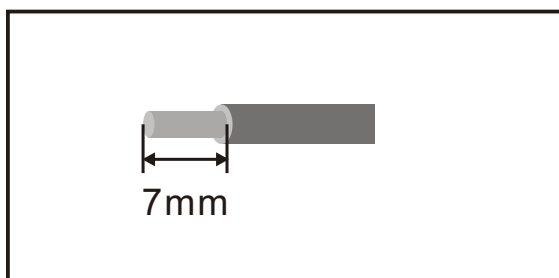
Socket Color:BLK=Black

Model	Weight	L×W×H (mm)	Screw terminal layout
FY-41F-1	30g	96.7×6.2×80.0	

## ■ Specifications

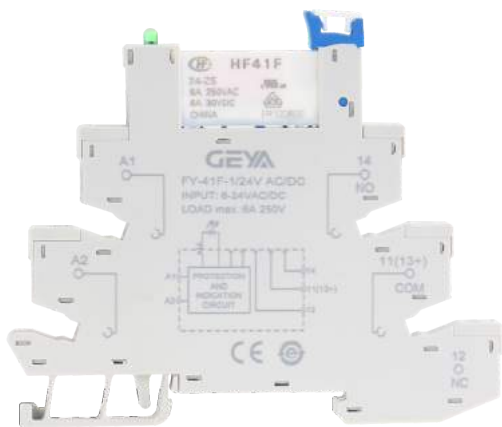
Rated Current	6A
Rated Voltage	250VAC
Dielectric Strength	4000V/S Coil&Contact 2500V/S Between Contacts
Screw Torque	0.5Nm
Suitable cable	20-16AWG
Operation Temperature	-40℃ ~+70℃

## ■ Suitable Wire for terminal block



# FY-41F-1

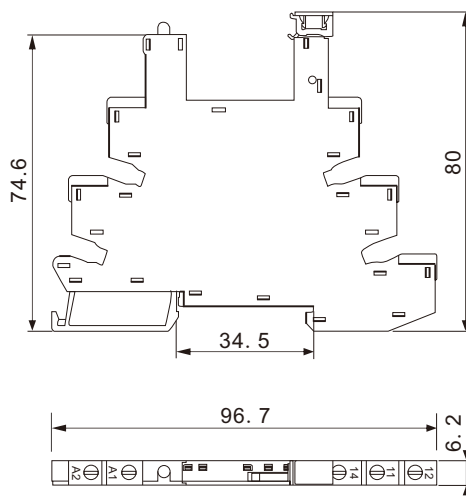
Slim Relay Mounted on Screw Socket with LED and Protection Circuit



## ■ Features

- ◆ 6A Rated Operation Current
- ◆ 1 C/O Contact
- ◆ Compact size only 6.2mm thickness
- ◆ LED Indicator when relay is energizes
- ◆ Protection Circuit

## ■ Dimension (unit:mm)



## ■ Model

FY-41F-1/ D12 - GY

Manufacturer Code

Serial Name

Part number

Voltage optional:  
12VDC/AC

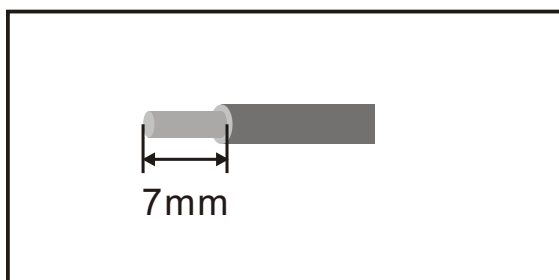
Socket Color:GY=Grey

## ■ Specifications

Rated Current	6A
Rated Voltage	250VAC
Dielectric Strength	4000V/S Coil&Contact 2500V/S Between Contacts
Screw Torque	0.5Nm
Suitable cable	20-16AWG
Operation Temperature	-40℃ ~+70℃

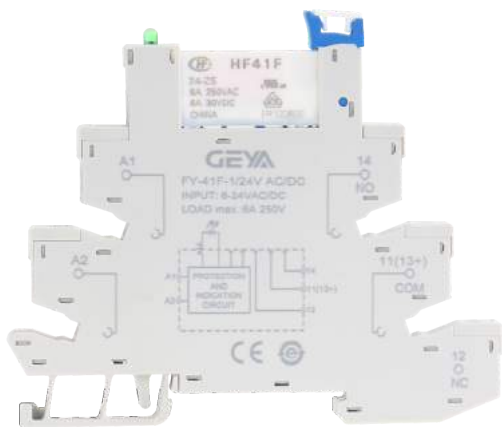
Model	Weight	L×W×H (mm)
FY-41F-1	30g	96.7×6.2×80.0

## ■ Suitable Wire for terminal block



# FY-41F-1

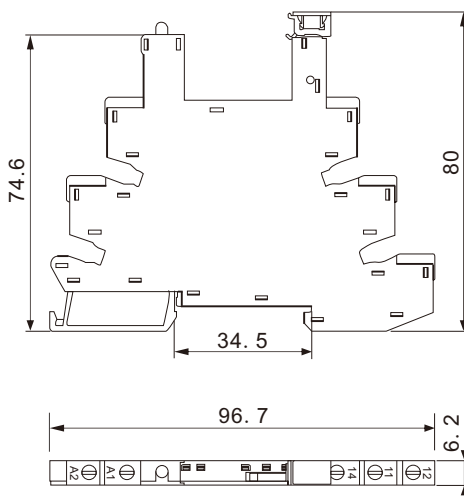
Slim Relay Mounted on Screw Socket with LED and Protection Circuit



## ■ Features

- ◆ 6A Rated Operation Current
- ◆ 1 C/O Contact
- ◆ Compact size only 6.2mm thickness
- ◆ LED Indicator when relay is energizes
- ◆ Protection Circuit

## ■ Dimension (unit:mm)



## ■ Model

FY-41F-1/ D24 - GY

Manufacturer Code

Serial Name

Part number

Voltage optional:  
24VDC/AC

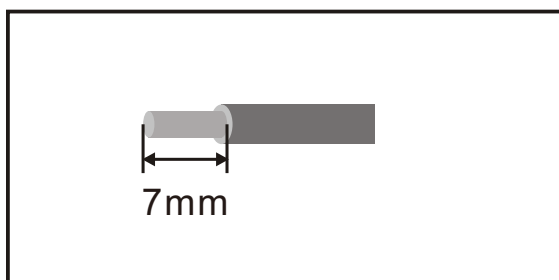
Socket Color:GY=Grey

## ■ Specifications

Rated Current	6A
Rated Voltage	250VAC
Dielectric Strength	4000V/S Coil&Contact 2500V/S Between Contacts
Screw Torque	0.5Nm
Suitable cable	20-16AWG
Operation Temperature	-40℃ ~+70℃

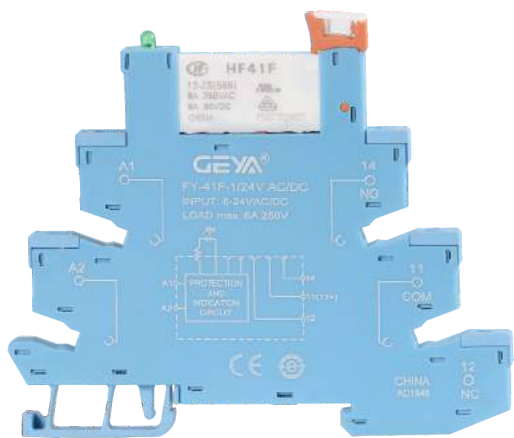
Model	Weight	L×W×H (mm)
FY-41F-1	30g	96.7×6.2×80.0

## ■ Suitable Wire for terminal block



# FY-41F-1

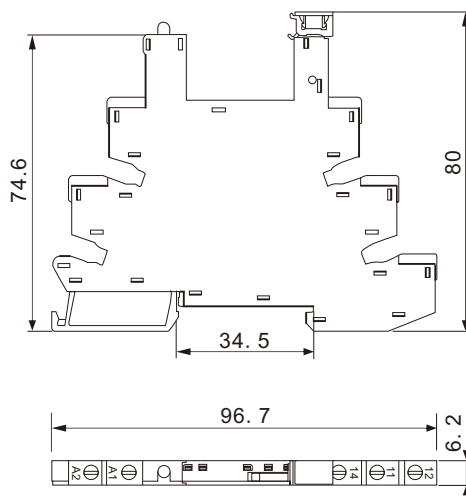
Slim Relay Mounted on Screw Socket with LED and Protection Circuit



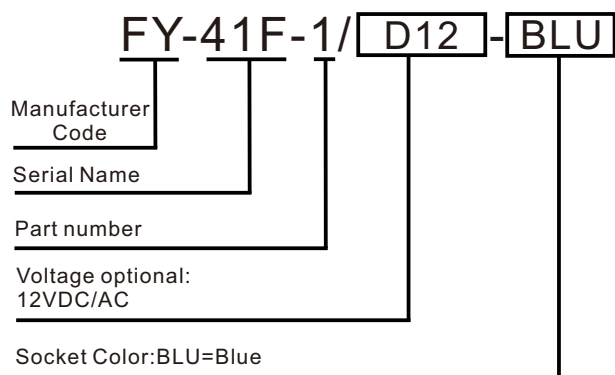
## ■ Features

- ◆ 6A Rated Operation Current
- ◆ 1 C/O Contact
- ◆ Compact size only 6.2mm thickness
- ◆ LED Indicator when relay is energizes
- ◆ Protection Circuit

## ■ Dimension (unit:mm)



## ■ Model

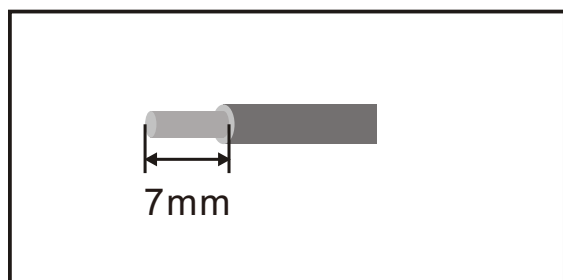


Model	Weight	L×W×H (mm)
FY-41F-1	30g	96.7×6.2×80.0

## ■ Specifications

Rated Current	6A
Rated Voltage	250VAC
Dielectric Strength	4000V/S Coil&Contact 2500V/S Between Contacts
Screw Torque	0.5Nm
Suitable cable	20-16AWG
Operation Temperature	-40℃ ~+70℃

## ■ Suitable Wire for terminal block



# FY-41F-1

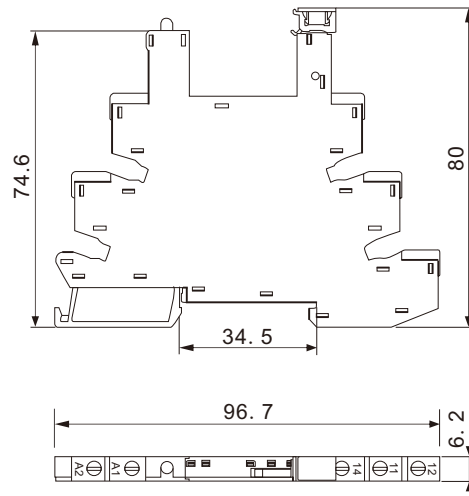
Slim Relay Mounted on Screw Socket with LED and Protection Circuit



## ■ Features

- ◆ 6A Rated Operation Current
- ◆ 1 C/O Contact
- ◆ Compact size only 6.2mm thickness
- ◆ LED Indicator when relay is energizes
- ◆ Protection Circuit

## ■ Dimension (unit:mm)



## ■ Model

FY-41F-1/ D24 - BLU

Manufacturer Code

Serial Name

Part number

Voltage optional:  
24VDC/AC

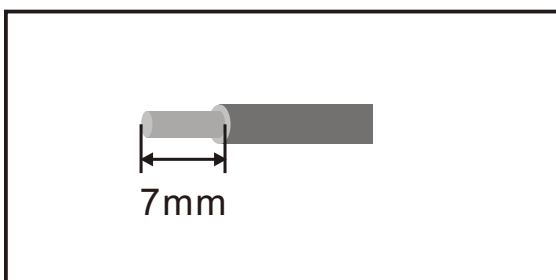
Socket Color:BLU=Blue

Model	Weight	L×W×H (mm)
FY-41F-1	30g	96.7×6.2×80.0

## ■ Specifications

Rated Current	6A
Rated Voltage	250VAC
Dielectric Strength	4000V/S Coil&Contact 2500V/S Between Contacts
Screw Torque	0.5Nm
Suitable cable	20-16AWG
Operation Temperature	-40℃ ~+70℃

## ■ Suitable Wire for terminal block



# FY-41F-1

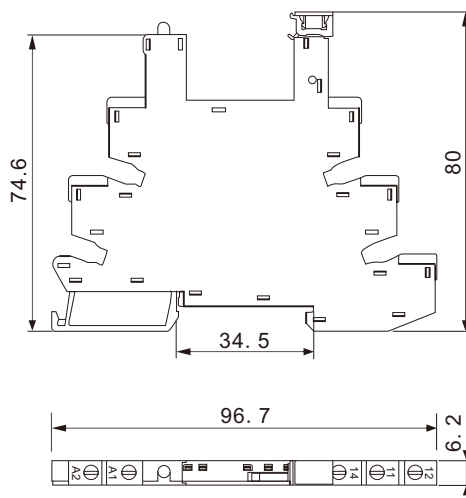
Slim Relay Mounted on Screw Socket with LED and Protection Circuit



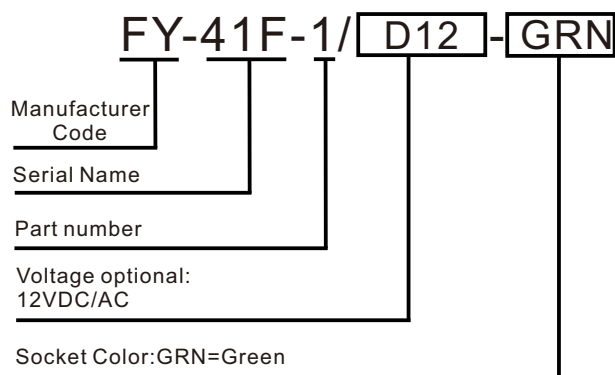
## ■ Features

- ◆ 6A Rated Operation Current
- ◆ 1 C/O Contact
- ◆ Compact size only 6.2mm thickness
- ◆ LED Indicator when relay is energizes
- ◆ Protection Circuit

## ■ Dimension (unit:mm)



## ■ Model

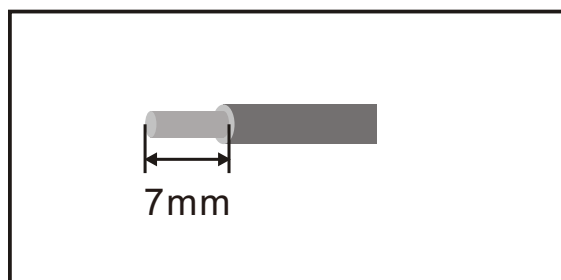


Model	Weight	L×W×H (mm)
FY-41F-1	30g	96.7×6.2×80.0

## ■ Specifications

Rated Current	6A
Rated Voltage	250VAC
Dielectric Strength	4000V/S Coil&Contact 2500V/S Between Contacts
Screw Torque	0.5Nm
Suitable cable	20-16AWG
Operation Temperature	-40℃ ~+70℃

## ■ Suitable Wire for terminal block



# FY-41F-2

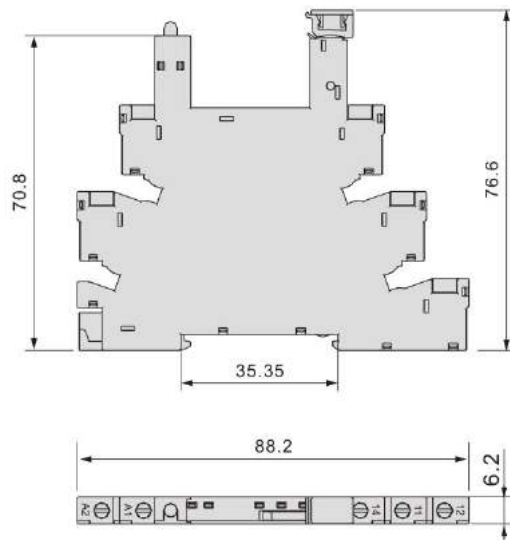
Slim Relay Mounted on Screw Socket with LED and Protection Circuit



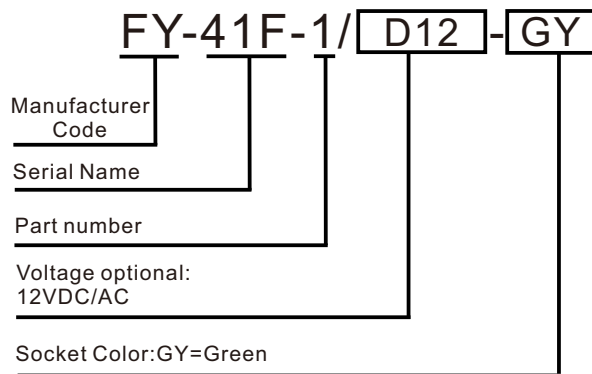
## ■ Features

- ◆ 6A Rated Operation Current
- ◆ 1 C/O Contact
- ◆ Compact size only 6.2mm thickness
- ◆ LED Indicator when relay is energizes
- ◆ Protection Circuit

## ■ Dimension (unit:mm)



## ■ Model

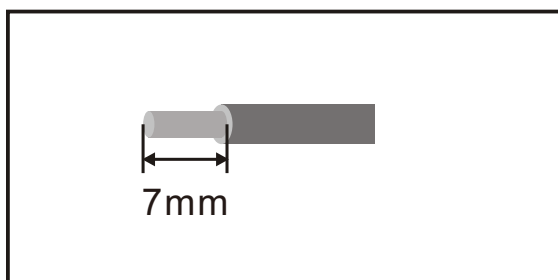


Model	Weight	L×W×H (mm)
FY-41F-2	30g	88.2×6.2×76.6

## ■ Specifications

Rated Current	6A
Rated Voltage	250VAC
Dielectric Strength	4000V/S Coil&Contact 2500V/S Between Contacts
Screw Torque	0.5Nm
Suitable cable	20-16AWG
Operation Temperature	-40℃ ~ +70℃

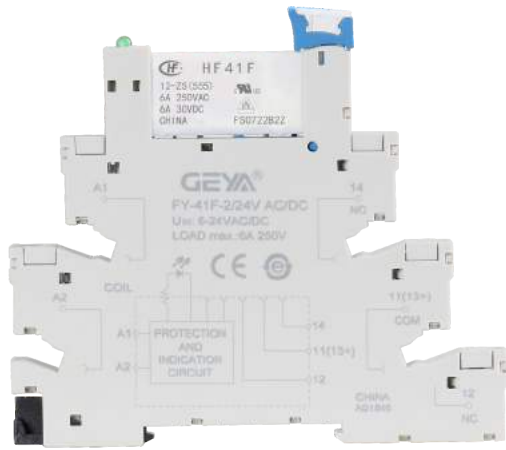
## ■ Suitable Wire for terminal block





# FY-41F-2

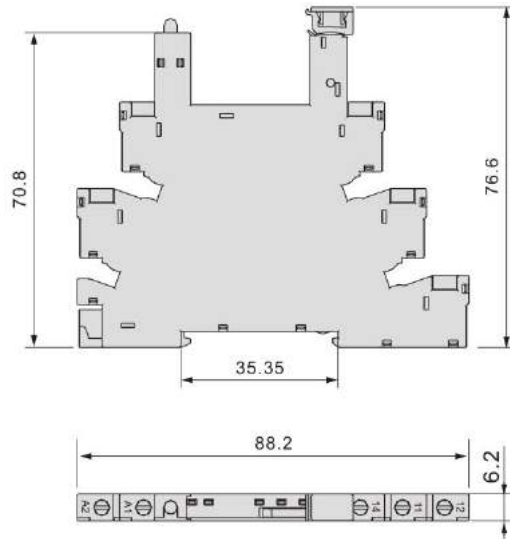
Slim Relay Mounted on Screw Socket with LED and Protection Circuit



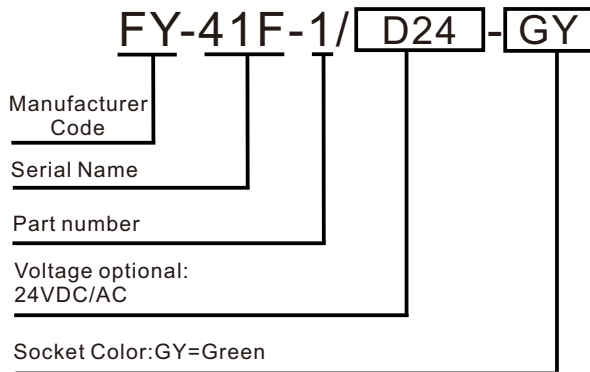
## ■ Features

- ◆ 6A Rated Operation Current
- ◆ 1 C/O Contact
- ◆ Compact size only 6.2mm thickness
- ◆ LED Indicator when relay is energizes
- ◆ Protection Circuit

## ■ Dimension (unit:mm)



## ■ Model



Model	Weight	L×W×H (mm)
FY-41F-2	30g	88.2×6.2×76.6

## ■ Specifications

Rated Current	6A
Rated Voltage	250VAC
Dielectric Strength	4000V/S Coil&Contact 2500V/S Between Contacts
Screw Torque	0.5Nm
Suitable cable	20-16AWG
Operation Temperature	-40℃ ~ +70℃

## ■ Suitable Wire for terminal block

