

# Product data sheet

Specifications



## power supply module X80 - 100..240 V AC - 36 W

BMXCPS3500

### Main

Range of product	Modicon X80
Product or component type	Power supply module
Backplane compatibility	Not compatible with BMEXBP..02
Primary voltage	100...240 V
Supply circuit type	AC
Secondary power	15 W 3.3 V DC I/O module logic power supply 31.2 W 24 V DC I/O module power supply and processor 21.6 W 24 V DC sensor power supply

### Complementary

Primary voltage limit	85...264 V
Network frequency	50/60 Hz
Network frequency limits	47...63 Hz
Apparent power	0.12 kVA
Input current	0.52 A 240 V 1.04 A 115 V
Inrush current	30 A 120 V 60 A 240 V
I <sup>2</sup> t on activation	1 A <sup>2</sup> .s 120 V 3 A <sup>2</sup> .s 240 V
It on activation	0.05 A.s 120 V 0.07 A.s 240 V
MTBF reliability	4300000 H
Protection type	Internal fuse not accessible for primary circuit Overload protection for secondary circuit Overvoltage protection for secondary circuit Short-circuit protection for secondary circuit
Current at secondary voltage	0.9 A 24 V DC sensor power supply 1.3 A 24 V DC I/O module power supply and processor 4.5 A 3.3 V DC I/O module logic power supply
Maximum power dissipation in W	8.5 W
Status LED	1 LED (green) rack voltage OK 1 LED (green) sensor voltage
Control type	RESET push-button cold restart
Electrical connection	1 connector 2 pin(s) alarm relay 1 connector 5 pin(s) line supply, protective earth, 24 V DC input sensor

<b>Insulation resistance</b>	>= 100 MOhm primary/ground >= 100 MOhm primary/secondary
------------------------------	---

<b>Net weight</b>	0.36 kg
-------------------	---------

## Environment

<b>Immunity to microbreaks</b>	1 ms
--------------------------------	------

<b>Dielectric strength</b>	1500 V primary/secondary I/O module logic power supply 1500 V primary/secondary I/O module power supply and processor 2300 V primary/secondary sensor power supply 1500 V primary/ground 500 V 24 V sensor output/ground
----------------------------	--

<b>Vibration resistance</b>	3 gn
-----------------------------	------

<b>Shock resistance</b>	30 gn
-------------------------	-------

<b>IP degree of protection</b>	IP20
--------------------------------	------

<b>Directives</b>	2014/35/EU - low voltage directive 2014/30/EU - electromagnetic compatibility
-------------------	--

<b>Ambient air temperature for storage</b>	-40...85 °C
--	-------------

<b>Ambient air temperature for operation</b>	0...60 °C
--	-----------

<b>Relative humidity</b>	5...95 % at 55 °C without condensation
--------------------------	--

<b>Protective treatment</b>	TC
-----------------------------	----

<b>Operating altitude</b>	0...2000 m 2000...5000 m with derating factor
---------------------------	--

## Packing Units

<b>Unit Type of Package 1</b>	PCE
-------------------------------	-----

<b>Number of Units in Package 1</b>	1
-------------------------------------	---

<b>Package 1 Height</b>	13.263 cm
-------------------------	-----------

<b>Package 1 Width</b>	15.407 cm
------------------------	-----------

<b>Package 1 Length</b>	15.59 cm
-------------------------	----------

<b>Package 1 Weight</b>	489.8 g
-------------------------	---------

<b>Unit Type of Package 2</b>	S04
-------------------------------	-----

<b>Number of Units in Package 2</b>	12
-------------------------------------	----

<b>Package 2 Height</b>	30 cm
-------------------------	-------

<b>Package 2 Width</b>	40 cm
------------------------	-------

<b>Package 2 Length</b>	60 cm
-------------------------	-------

<b>Package 2 Weight</b>	7.0 kg
-------------------------	--------

<b>Unit Type of Package 3</b>	P06
-------------------------------	-----

<b>Number of Units in Package 3</b>	48
-------------------------------------	----

<b>Package 3 Height</b>	75 cm
-------------------------	-------

<b>Package 3 Width</b>	60 cm
------------------------	-------

<b>Package 3 Length</b>	80 cm
-------------------------	-------

<b>Package 3 Weight</b>	38 kg
-------------------------	-------

## Offer Sustainability

<b>Sustainable offer status</b>	Green Premium product
---------------------------------	-----------------------

<b>REACH Regulation</b>	<a href="#">REACH Declaration</a>
-------------------------	-----------------------------------

<b>EU RoHS Directive</b>	Pro-active compliance (Product out of EU RoHS legal scope)
--------------------------	--

[EU RoHS Declaration](#)

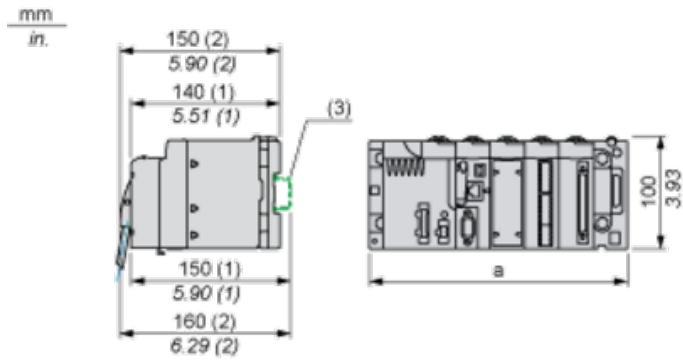
<b>Mercury free</b>	Yes
<b>China RoHS Regulation</b>	<a href="#">China RoHS declaration</a>
<b>RoHS exemption information</b>	Yes
<b>Environmental Disclosure</b>	<a href="#">Product Environmental Profile</a>
<b>Circularity Profile</b>	<a href="#">End of Life Information</a>
<b>WEEE</b>	The product must be disposed on European Union markets following specific waste collection and never end up in rubbish bins
<b>California proposition 65</b>	WARNING: This product can expose you to chemicals including: Lead and lead compounds, which is known to the State of California to cause cancer and birth defects or other reproductive harm. For more information go to <a href="http://www.P65Warnings.ca.gov">www.P65Warnings.ca.gov</a>

**Contractual warranty**

<b>Warranty</b>	18 months
-----------------	-----------

**Modules Mounted on Racks**

**Dimensions**



(1) With removable terminal block (cage, screw or spring).

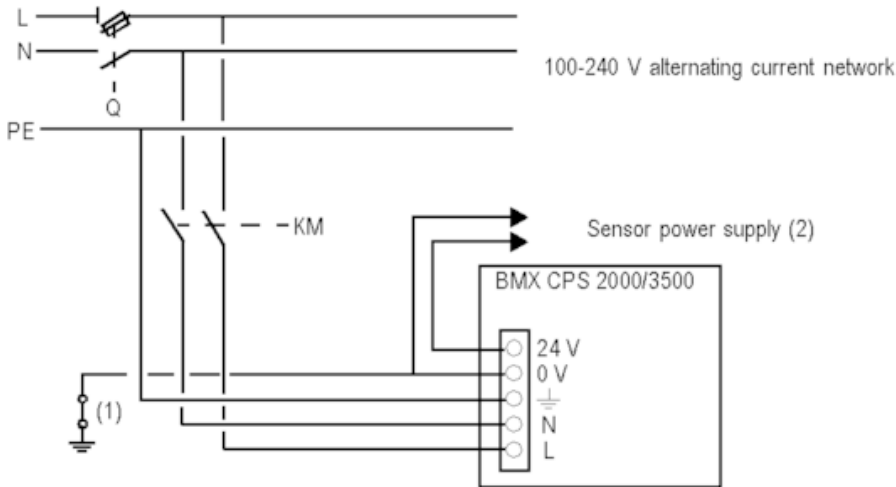
(2) With FCN connector.

(3) On AM1 ED rail: 35 mm wide, 15 mm deep. Only possible with BMXXBP0400/0400H/0600/0600H/0800/0800H rack.

Rack references	a in mm	a in in.
BMXXBP0400 and BMXXBP0400H	242.4	09.54
BMXXBP0600 and BMXXBP0600H	307.6	12.11
BMXXBP0800 and BMXXBP0800H	372.8	14.68
BMXXBP1200 and BMXXBP1200H	503.2	19.81

**Connection of Alternating Current Power Supply Modules**

**Connection of a PLC Station Constituted of a Single Rack**



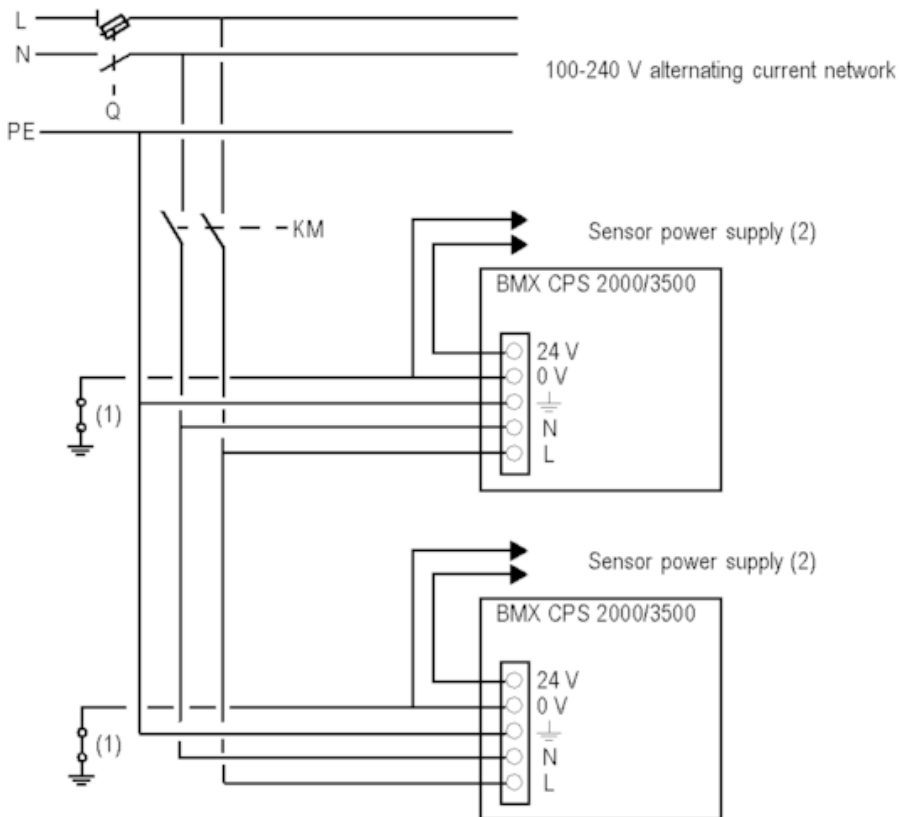
**Q** General isolator

**KM** Line contactor or circuit breaker

(1) Insulation connector bar for locating grounding errors

(2) Available current of 0.45 A for the BMXCPS2000 module or 0.9 A for the BMXCPS3500 module

**Connection of a PLC Station Constituted of Several Racks**



**Q** General isolator

**KM** Line contactor or circuit breaker

(1) Insulation connector bar for locating grounding errors

(2) Available current of 0.45 A for the BMXCPS2000 module or 0.9 A for the BMXCPS3500 module

**Recommended replacement(s)**