

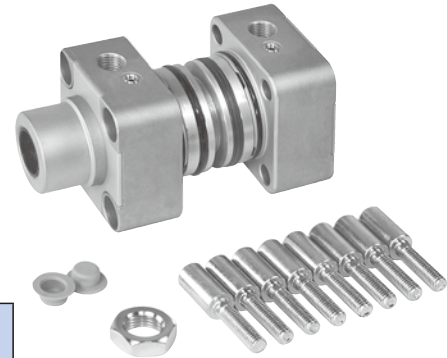
Cylinder kits

PNEUMATIC CYLINDER



Cylinders kits

- We can supply your company with full cylinder assembly kits which meet NFPA, ISO-VDMA and JIS internationally recognizable standards.
- Assembly kits include all necessary components to enable rapid assembly and despatch in order that you can meet your customers delivery schedules.
- Piston rod, tie rod and tubes are also available.



Order example ●

Type	Model	Tube I.D. (mm)	Description
Component parts	CP	-6~200	Air cylinder
Repair kits	PS		

Order example ◎

Type	Model	Type	Tube I.D. (mm)	Description
Repair kits	MRT*	SK	40~80	Rotary actuator
	MDO		20~150	Hydraulic cylinder

Model	Component parts	Repair kits
Standard cylinder		
MCQA	●	●
MCQN	●	●
ISO-VDMA Standard profile cylinder		
MCQV	●	●
MCQV2	●	●
MCQV3	●	●
MCQI2	●	●
MCQI3	●	●
MCKQI2	●	●
Compact cylinder		
MCJA	●	●
MCJQ	●	●
MCJQ2	●	●
MCKJQ	●	●
MCJI	●	●
MCJU		●
MCJI	●	●
MCFB	●	●
Miniature cylinder		
MCMA	●	
MCMB	●	
MCKMB	●	
MCMBRA	●	
MCMBRB	●	

Model	Component parts	Repair kits
ISO-6432 / Non-pivot type mini. cylinder		
MCM1	●	
MCMIS	●	
MCKMI	●	
Pen cylinder		
MCMJ	●	
MCMJP		●
Round cylinder		
MCCG	●	●
MCCN	●	●
High speed cylinder		
MCCH	●	●
Guide cylinder		
MCGA		●
MCGS		●
MCGI	●	●
MCGJ		●
MGTB / K / U / X	●	●
MCGD		●
MCG3		●
MCDA		●
MCDJ		●

Model	Component parts	Repair kits
(Vol.3) Rotary actuator		
MCRA		●
MCRQ		●
MRTF / H		◎
(Vol.3) Clamp cylinder		
MCKB		●
(Vol.3) Gripper		
MCHB		●
MCHC		●
MCHD		●
MCHH		●
MCHU		●
MCHS		●
MCHX		●
MCHG2		●
MCHJ		●
MCHA		●
MCHY		●
(Vol.3) Hydraulic cylinder		
MDHB / D / N		◎
MDMB / D / N		◎
MHCB / Q		◎
MHCB-M		◎
MDOA / C / D / N		◎
MRPH		◎