

A New Lighting LED Driver

Catalog



Energy Power Save CO.,LTD

OEM/ODM

- Digital control of lighting
- Possibility to call up pre-set programs
- Independent brightness control

A wide range of products

- Triac Dimmable LED Driver
- 0-10V Dimmable LED Driver
- DALI Dimmable LED Driver
- PUSH Dimmable LED Driver
- 2.4G Dimmable LED Driver
- PWM Dimmable LED Driver
- Phone APP Control(Zigbee Protocol Dimmable LED Driver)



CONTENTS

IP20-Plastic Rectangle Shell Series	_____	03-05
IP20-Plastic Round Shell Series	_____	06-08
Aluminum Waterproof IP67 Series	_____	09-12
Junction boxed series	_____	13-16

IP20-Plastic Rectangle Shell Series

Triac/0-10V/DALI/PUSH/RF/PWM/Zigbee Dimmable

Product Features

- Adopt active PFC circuit scheme, high factor and low harmonic
- Full-isolation driver
- A variety of dimming mode Zigbee/Triac/0-10V/DALI/PUSH/RF/PWM
- Short circuit, over current and over voltage protection.
- Global multi-national certification optional (ETL, TUV, SAA, CB, CE)
- Conform to the world lighting safety standards
- 5 years quality warranty



Electrical specifications

Constant Current											
Model	Factor	Dimming type							Output voltage¤t	Weight(g)	Size(mm)
		Zigbee	Triac	0-10V	DALI	PUSH	RF	PWM			
DR-CC-09	PF>0.95		✓						31-45V 200mA	50	84*29*20
	PF>0.5 flicker free								21-30V 300mA 15-22V 400mA		
DR-CC-12	PF>0.95	✓	✓	✓	✓	✓	✓	✓	24-34V 350mA	70	94*36*18
	PF>0.5 flicker free	✓	✓	✓	✓	✓	✓	✓	17-24V 500mA 12-17V 700mA		
DR-CC-20	PF>0.95	✓	✓	✓	✓	✓	✓	✓	28-40V 500mA	100	107*41*22
	PF>0.5 flicker free	✓	✓	✓	✓	✓	✓	✓	20-28V 700mA 16-22V 900mA		
DR-CC-30	PF>0.95	✓	✓	✓	✓	✓	✓	✓	30-42V 700mA	140	133*46*24
	PF>0.5 flicker free	✓	✓	✓	✓	✓	✓	✓	23-33V 900mA 18-25V 1200mA		
DR-CC-40	PF>0.95	✓	✓	✓	✓	✓	✓	✓	40-57V 700mA	160	133*46*30
	PF>0.5 flicker free	✓	✓	✓	✓	✓	✓	✓	32-45V 900mA 23-33V 1200mA 19-27V 1500mA		
DR-CC-60	PF>0.95	✓	✓	✓	✓	✓	✓	✓	46-66V 900mA	250	170*50*30
	PF>0.5 flicker free	✓	✓	✓	✓	✓	✓	✓	35-50V 1200mA 28-40V 1500mA 23-33V 1800mA		
DR-CC-80	PF>0.95	✓	✓	✓	✓	✓	✓	✓	50-72V 1100mA	370	189*65*30
	PF>0.5 flicker free	✓	✓	✓	✓	✓	✓	✓	37-53V 1500mA 30-44V 1800mA 25-36V 2200mA		

IP20-Plastic Rectangle Shell Series

Triac/0-10V/DALI/PUSH/RF/PWM/Zigbee Dimmable

Constant Voltage												
Model	Factor	Dimming type							Output voltage¤t		Weight(g)	Size(mm)
		Zigbee	Triac	0-10V	DALI	PUSH	RF	PWM				
DR-CV-09	PF>0.95		✓						12V	750mA	50	84*29*20
	PF>0.5 flicker free								24V	375mA		
DR-CV-12	PF>0.95	✓	✓	✓	✓	✓	✓	✓	12V	1000mA	70	94*36*18
	PF>0.5 flicker free	✓	✓	✓	✓	✓	✓	✓	24V	500mA		
DR-CV-20	PF>0.95	✓	✓	✓	✓	✓	✓	✓	12V	1500mA	100	107*41*22
	PF>0.5 flicker free	✓	✓	✓	✓	✓	✓	✓	24V	830mA		
DR-CV-30	PF>0.95	✓	✓	✓	✓	✓	✓	✓	12V	2000mA	140	133*46*24
	PF>0.5 flicker free	✓	✓	✓	✓	✓	✓	✓	24V	1250mA		
DR-CV-40	PF>0.95	✓	✓	✓	✓	✓	✓	✓	12V	3000mA	160	133*46*30
	PF>0.5 flicker free	✓	✓	✓	✓	✓	✓	✓	24V	1700mA		
DR-CV-60	PF>0.95	✓	✓	✓	✓	✓	✓	✓	12V	4000mA	250	170*50*30
	PF>0.5 flicker free	✓	✓	✓	✓	✓	✓	✓	24V	2500mA		
DR-CV-80	PF>0.95	✓	✓	✓	✓	✓	✓	✓	12V	5000mA	370	189*65*30
	PF>0.5 flicker free	✓	✓	✓	✓	✓	✓	✓	24V	3300mA		

protect	Short circuit protection	Intermittent restart mode, after the exception can be automatically restored
	Overcurrent protection	Hiccup mode, after the removal of abnormal flow can be automatically restored
	Overvoltage protection	Hiccup mode, after the exception of abnormal pressure can be automatically restored

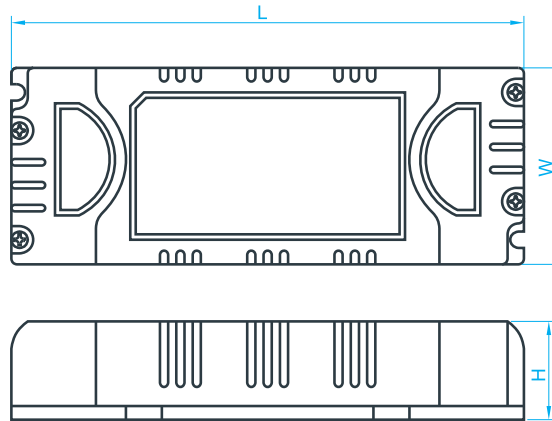
Environment	Operating Temperature/humidity	-30-45°C,5-95%RH
	Storage Temperature/humidity	-40-70°C,5-95%RH
	Temperature coefficient	± 0.03% / °C(0-50°C)
	Vibration	5-55Hz/2g,30 Minutes

Safety	Safety	EN60598
	Pressure	I/P-O/P:3KVAC IP-FG:1.88KVAC O/P-FG:0.5KVAC
	Insulation resistance	I/P-O/P I/P-FG O/P-FG:100MΩ /500VDC/25°C/70%RH
	EMC Emission	EN55022,EN55015 Class B
	EMC Immunity	EN61547,ENV5024,EN61000-4-2/3/4/6/8/11

IP20-Plastic Rectangle Shell Series

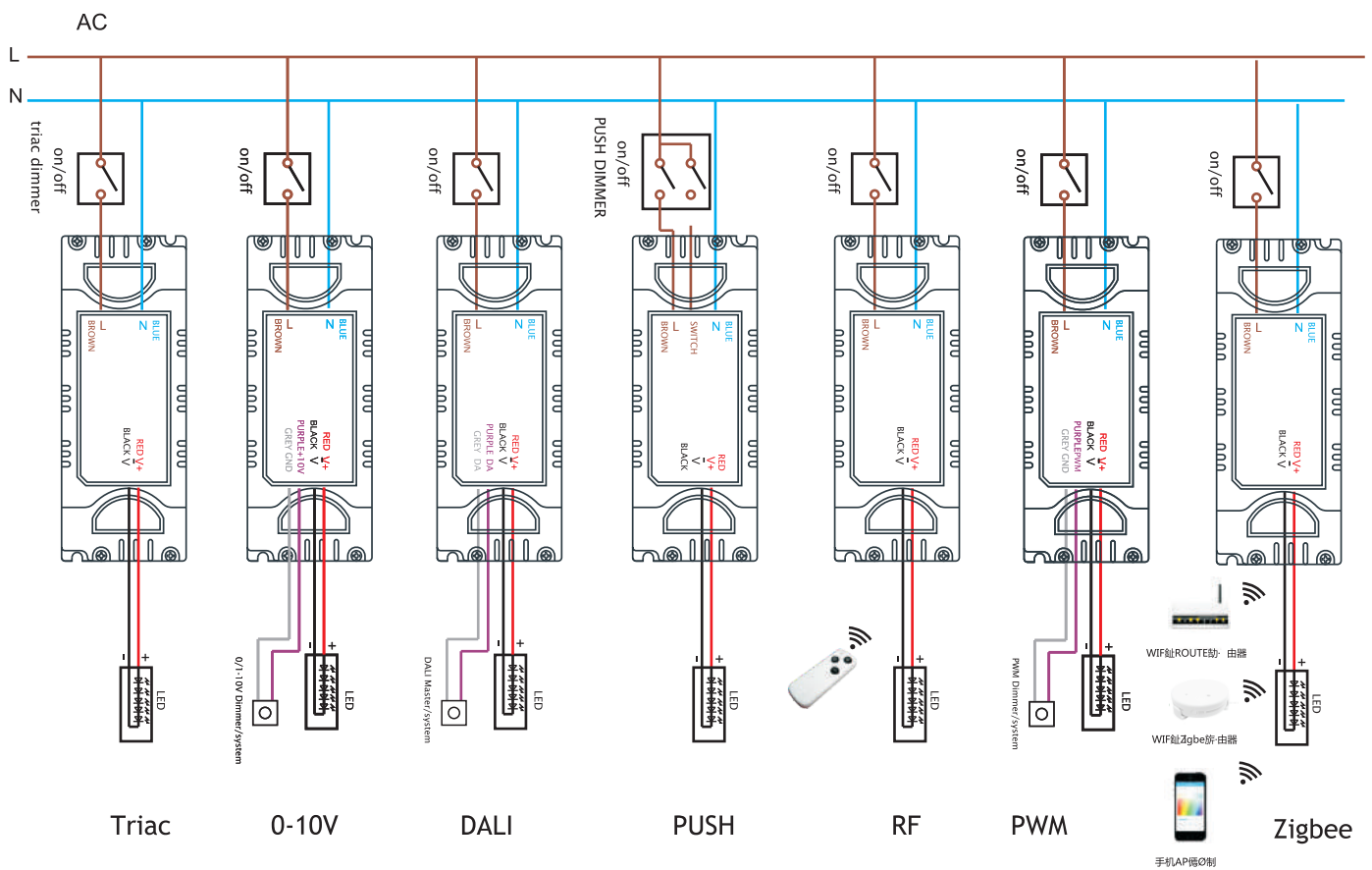
Triac/0-10V/DALI/PUSH/RF/PWM/Zigbee Dimmable

Shell structure



Units:mm

Wiring diagram



Wiring color

Input		Color	Output		Dimmer line		Color
110V/AC	L	BLACK	+	RED	0-10V PWM	10V	PURPLE
	N	WHITE				GND	GREY
220V/AC	L	BROWN	-	BLACK	DALI	DA	PURPLE
	N	BLUE				DA	GREY

IP20-Plastic Round Shell Series

Triac/0-10V/DALI/PUSH/RF/PWM/Zigbee Dimmable

Product Features

- Adopt active PFC circuit scheme, high factor and low harmonic
- Full-isolation driver
- A variety of dimming mode Zigbee/Triac/ 0-10V/DALI/PUSH/RF/PWM
- Short circuit, over current and over voltage protection.
- Global multi-national certification optional (ETL, TUV, SAA, CB, CE)
- Conform to the world lighting safety standards
- 5 years quality warranty



Electrical specifications

Constant Current												
Model	Factor	Dimming type							Output voltage¤t	Weight(g)	Size(mm)	
		Zigbee	Triac	0-10V	DALI	PUSH	RF	PWM				
DR-CC-09	PF>0.95		✓						31-45V	200mA	50	51*17
	PF>0.5 flicker free								21-30V	300mA		
									15-22V	400mA		
DR-CC-12	PF>0.95		✓	✓					24-34V	350mA	70	67*21
	PF>0.5 flicker free								17-24V	500mA		
									12-17V	700mA		
DR-CC-20	PF>0.95		✓	✓	✓			✓	28-40V	500mA	100	73*27
	PF>0.5 flicker free								20-28V	700mA		
									16-22V	900mA		
DR-CC-30	PF>0.95	✓	✓	✓	✓	✓	✓	✓	30-42V	700mA	145	79*31
	PF>0.5 flicker free	✓	✓	✓	✓	✓	✓	✓	23-33V	900mA		
		✓	✓	✓	✓	✓	✓	✓	18-25V	1200mA		
DR-CC-40	PF>0.95	✓	✓	✓	✓	✓	✓	✓	40-57V	700mA	220	102*31
	PF>0.5 flicker free	✓	✓	✓	✓	✓	✓	✓	32-45V	900mA		
		✓	✓	✓	✓	✓	✓	✓	23-33V	1200mA		
DR-CC-60	PF>0.95	✓	✓	✓	✓	✓	✓	✓	46-66V	900mA	220	102*31
		✓	✓	✓	✓	✓	✓	✓	35-50V	1200mA		
	PF>0.5 flicker free	✓	✓	✓	✓	✓	✓	✓	28-40V	1500mA		
		✓	✓	✓	✓	✓	✓	✓	23-33V	1800mA		

IP20-Plastic Round Shell Series

Triac/0-10V/DALI/PUSH/RF/PWM/Zigbee Dimmable

Constant Voltage												
Model	Factor	Dimming type							Output voltage¤t	Weight(g)	Size(mm)	
		Zigbee	Triac	0-10V	DALI	PUSH	RF	PWM				
DR-CV-09	PF>0.95		✓						12V 750mA	50	51*17	
	PF>0.5 flicker free								24V 375mA			
DR-CV-12	PF>0.95		✓	✓					12V 1000mA	70	67*21	
	PF>0.5 flicker free								24V 500mA			
DR-CV-20	PF>0.95		✓	✓	✓			✓	12V 1500mA	100	73*27	
	PF>0.5 flicker free							✓	24V 830mA			
DR-CV-30	PF>0.95	✓	✓	✓	✓	✓	✓	✓	12V 2000mA	145	79*31	
	PF>0.5 flicker free	✓	✓	✓	✓	✓	✓	✓	24V 1250mA			
DR-CV-40	PF>0.95	✓	✓	✓	✓	✓	✓	✓	12V 3000mA	220	102*31	
	PF>0.5 flicker free	✓	✓	✓	✓	✓	✓	✓	24V 1700mA			
DR-CV-60	PF>0.95	✓	✓	✓	✓	✓	✓	✓	12V 4000mA	220	102*31	
	PF>0.5 flicker free	✓	✓	✓	✓	✓	✓	✓	24V 2500mA			

protect	Short circuit protection	Intermittent restart mode, after the exception can be automatically restored
	Overcurrent protection	Hiccup mode, after the removal of abnormal flow can be automatically restored
	Overvoltage protection	Hiccup mode, after the exception of abnormal pressure can be automatically restored

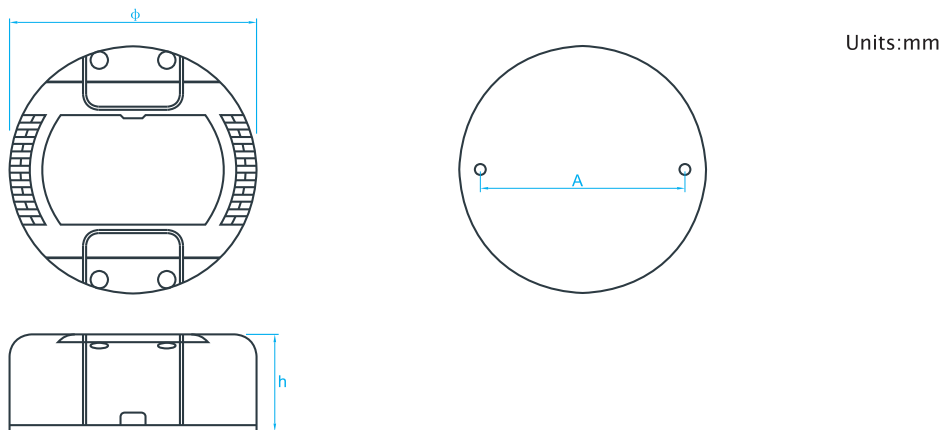
Environment	Operating Temperature/humidity	-30-45°C, 5-95%RH
	Storage Temperature/humidity	-40-70°C, 5-95%RH
	Temperature coefficient	±0.03% / °C(0-50°C)
	Vibration	5-55Hz/2g, 30 Minutes

Safety	Safety	EN60598
	Pressure	I/P-O/P:3KVAC IP -FG:1.88KVAC O/P-FG:0.5KVAC
	Insulation resistance	I/P-O/P I/P -FG O/P -FG:100M Ω /500VDC/25 °C/70%RH
	EMC Emission	EN55022, EN55015 Class B
	EMC Immunity	EN61547, EN5024, EN61000-4-2/3/4/6/8/11

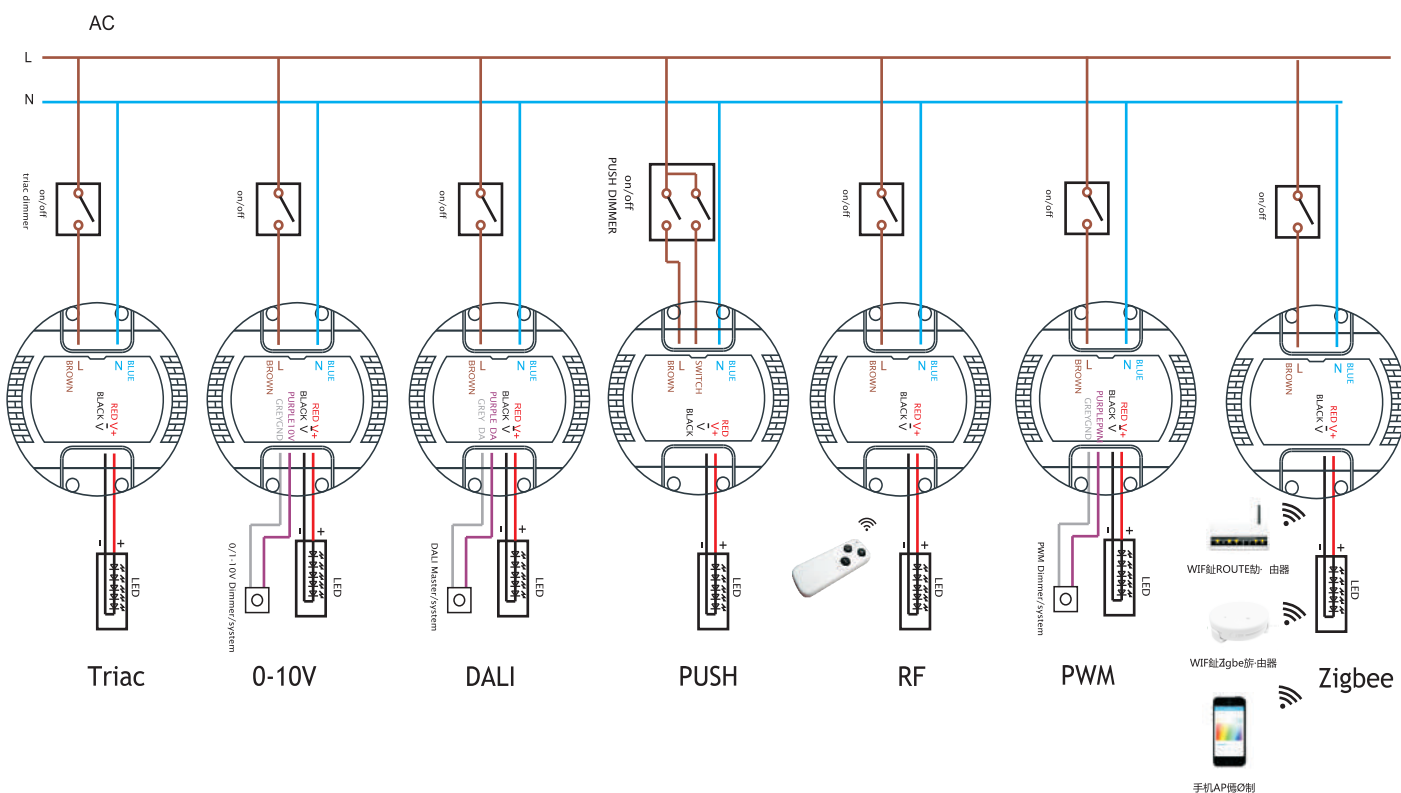
IP20-Plastic Round Shell Series

Triac/0-10V/DALI/PUSH/RF/PWM/Zigbee Dimmable

Shell structure



Wiring diagram



Wiring color

Input		Color	Output	Color	Dimmer line		Color
110V/AC	L	BLACK	+	RED	0-10V PWM	10V	PURPLE
	N	WHITE				GND	GREY
220V/AC	L	BROWN	-	BLACK	DALI	DA	PURPLE
	N	BLUE				DA	GREY

Aluminum Waterproof IP67

Triac/0-10V/DALI/PUSH/RF/PWM/Zigbee Dimmable

Product Features

- Adopt active PFC circuit scheme, high factor and low harmonic
- Full-isolation driver
- A variety of dimming mode 0-10V/DALI/PUSH/RF/PWM
- Short circuit, over current and over voltage protection.
- Global multi-national certification optional (ETL, TUV, SAA, CB, CE)
- Conform to the world lighting safety standards
- 5 years quality warranty



Electrical specifications

protect	Short circuit protection	Intermittent restart mode, after the exception can be automatically restored
	Overcurrent protection	Hiccup mode, after the removal of abnormal flow can be automatically restored
	Overvoltage protection	Hiccup mode, after the exception of abnormal pressure can be automatically restored
Environment	Operating Temperature/humidity	-30 -45 °C, 5 -95 %RH
	Storage Temperature/humidity	-40 -70 °C, 5 -95 %RH
	Temperature coefficient	± 0.03% / °C(0-50°C)
	Vibration	5-55Hz/2g,30 Minutes
Safety	Safety	EN60598
	Pressure	I/P-O/P:3KVAC IP -FG:1.88KVAC O/P-FG:0.5KVAC
	Insulation resistance	I/P-O/P I/P -FG O/P -FG:100M Ω /500VDC/25 °C/70%RH
	EMC Emission	EN55022,EN55015 Class B
	EMC Immunity	EN61547,ENV5024,EN61000-4-2/3/4/6/8/11

Aluminum Waterproof IP67

Triac/0-10V/DALI/PUSH/RF/PWM/Zigbee Dimmable

Constant Voltage											
Model	Factor	Dimming type						Output voltage¤t		Weight(g)	Size(mm)
		Triac	0-10V	DALI	PUSH	RF	PWM				
DR-CV-12	PF>0.95	✓	✓	✓	✓	✓	✓	12V	1000mA	212	110*42*28
	PF>0.5 flicker free	✓	✓	✓	✓	✓	✓	24V	500mA		
DR-CV-20	PF>0.95	✓	✓	✓	✓	✓	✓	12V	1500mA	248	110*44*32
	PF>0.5 flicker free	✓	✓	✓	✓	✓	✓	24V	830mA		
DR-CV-30	PF>0.95	✓	✓	✓	✓	✓		12V	2000mA	472	140*44*32
	PF>0.5 flicker free	✓	✓	✓	✓	✓	✓	24V	1250mA		
DR-CV-40	PF>0.95	✓	✓	✓	✓	✓	✓	12V	3000mA	472	145*49*40
	PF>0.5 flicker free	✓	✓	✓	✓	✓	✓	24V	1700mA		
DR-CV-60	PF>0.95	✓	✓	✓	✓	✓	✓	12V	4000mA	608	180*49*40
	PF>0.5 flicker free	✓	✓	✓	✓	✓	✓	24V	2500mA		
DR-CV-80	PF>0.95	✓	✓	✓	✓	✓	✓	12V	5000mA	616	184*56*35
	PF>0.5 flicker free	✓	✓	✓	✓	✓	✓	24V	3300mA		
DR-CV-100	PF>0.95	✓	✓	✓	✓	✓	✓	12V	7000mA	984	210*68*39
	PF>0.5 flicker free		✓	✓	✓	✓	✓				
	PF>0.5	✓	✓	✓	✓	✓	✓	24V	4200mA		
DR-CV-140	PF>0.95		✓	✓	✓	✓	✓	12V	10A	610	175*44*32
	PF>0.5 flicker free		✓	✓	✓	✓	✓	24V	6A		
DR-CV-180	PF>0.95		✓	✓	✓	✓	✓	12V	13A	650	194*56*35
	PF>0.5 flicker free		✓	✓	✓	✓	✓	24V	7.5A		
DR-CV-240	PF>0.95		✓	✓	✓	✓	✓	12V	16A	810	215*62*38
	PF>0.5 flicker free		✓	✓	✓	✓	✓	24V	10A		
DR-CV-300	PF>0.95		✓	✓	✓	✓	✓	12V	20A	1020	227*68*39
	PF>0.5 flicker free		✓	✓	✓	✓	✓	24V	13A		
DR-CV-360	PF>0.95		✓	✓	✓	✓	✓	12V	24A	1200	245*69*40
	PF>0.5 flicker free		✓	✓	✓	✓	✓	24V	15A		

Aluminum Waterproof IP67

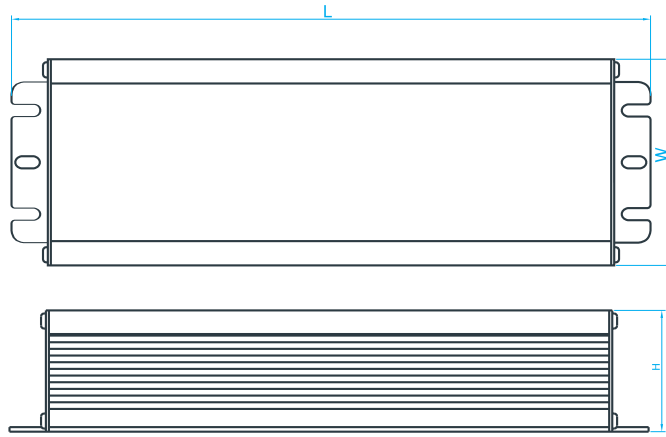
Triac/0-10V/DALI/PUSH/RF/PWM/Zigbee Dimmable

Constant Current											
Model	Factor	Dimming type						Output voltage¤t		Weight(g)	Size(mm)
		Triac	0-10V	DALI	PUSH	RF	PWM				
DR-CC-12	PF>0.95	✓	✓	✓	✓	✓	✓	24-34V	350mA	212	110*42*28
	PF>0.5 flicker free	✓	✓	✓	✓	✓	✓	17-24V	500mA		
DR-CC-20	PF>0.95	✓	✓	✓	✓	✓	✓	12-17V	700mA	248	110*44*32
	PF>0.5 flicker free	✓	✓	✓	✓	✓	✓	28-40V	500mA		
DR-CC-30	PF>0.95	✓	✓	✓	✓	✓	✓	20-28V	700mA	472	140*44*32
	PF>0.5 flicker free	✓	✓	✓	✓	✓	✓	16-22V	900mA		
DR-CC-40	PF>0.95	✓	✓	✓	✓	✓	✓	30-42V	700mA	472	142*49*40
	PF>0.5 flicker free	✓	✓	✓	✓	✓	✓	23-33V	900mA		
DR-CC-60	PF>0.95	✓	✓	✓	✓	✓	✓	18-25V	1200mA	608	185*49*40
	PF>0.5 flicker free	✓	✓	✓	✓	✓	✓	40-57V	700mA		
DR-CC-80	PF>0.95	✓	✓	✓	✓	✓	✓	32-45V	900mA	616	184*56*35
	PF>0.5 flicker free	✓	✓	✓	✓	✓	✓	23-33V	1200mA		
DR-CC-100	PF>0.95	✓	✓	✓	✓	✓	✓	19-27V	1500mA	984	210*68*39
	PF>0.5 flicker free	✓	✓	✓	✓	✓	✓	46-66V	900mA		
DR-CC-140	PF>0.95	✓	✓	✓	✓	✓	✓	35-50V	1200mA	610	175*44*32
	PF>0.5 flicker free	✓	✓	✓	✓	✓	✓	28-40V	1500mA		
DR-CC-180	PF>0.95	✓	✓	✓	✓	✓	✓	23-33V	1800mA	650	194*56*35
	PF>0.5 flicker free	✓	✓	✓	✓	✓	✓	50-72V	1100mA		
DR-CC-240	PF>0.95	✓	✓	✓	✓	✓	✓	37-53V	1500mA	810	215*62*38
	PF>0.5 flicker free	✓	✓	✓	✓	✓	✓	30-44V	1800mA		
DR-CC-300	PF>0.95	✓	✓	✓	✓	✓	✓	25-36V	2200mA	1020	227*68*39
	PF>0.5 flicker free	✓	✓	✓	✓	✓	✓	49-72V	1300mA		
DR-CC-360	PF>0.95	✓	✓	✓	✓	✓	✓	38-55V	1800mA	1200	245*69*40
	PF>0.5 flicker free	✓	✓	✓	✓	✓	✓	30-43V	2300mA		
DR-CC-12	PF>0.95	✓	✓	✓	✓	✓	✓	25-35V	2800mA	610	175*44*32
	PF>0.5 flicker free	✓	✓	✓	✓	✓	✓	42-57V	2.6A		
DR-CC-20	PF>0.95	✓	✓	✓	✓	✓	✓	36-42V	3.6A	650	194*56*35
	PF>0.5 flicker free	✓	✓	✓	✓	✓	✓	30-36V	4.2A		
DR-CC-30	PF>0.95	✓	✓	✓	✓	✓	✓	24-34V	5.5A	810	215*62*38
	PF>0.5 flicker free	✓	✓	✓	✓	✓	✓	17-24V	7A		
DR-CC-40	PF>0.95	✓	✓	✓	✓	✓	✓	12-17V	13A	1020	227*68*39
	PF>0.5 flicker free	✓	✓	✓	✓	✓	✓	20-30V	6.3A		
DR-CC-60	PF>0.95	✓	✓	✓	✓	✓	✓	13-20V	10.4A	1200	245*69*40
	PF>0.5 flicker free	✓	✓	✓	✓	✓	✓	12-16V	16A		
DR-CC-80	PF>0.95	✓	✓	✓	✓	✓	✓	21-32V	8.3A	1020	227*68*39
	PF>0.5 flicker free	✓	✓	✓	✓	✓	✓	15-22V	13A		
DR-CC-100	PF>0.95	✓	✓	✓	✓	✓	✓	12-15V	20A	1200	245*69*40
	PF>0.5 flicker free	✓	✓	✓	✓	✓	✓	26-37V	10A		
DR-CC-140	PF>0.95	✓	✓	✓	✓	✓	✓	14-25V	15A	1200	245*69*40
	PF>0.5 flicker free	✓	✓	✓	✓	✓	✓	9-13V	24A		

Aluminum Waterproof IP67

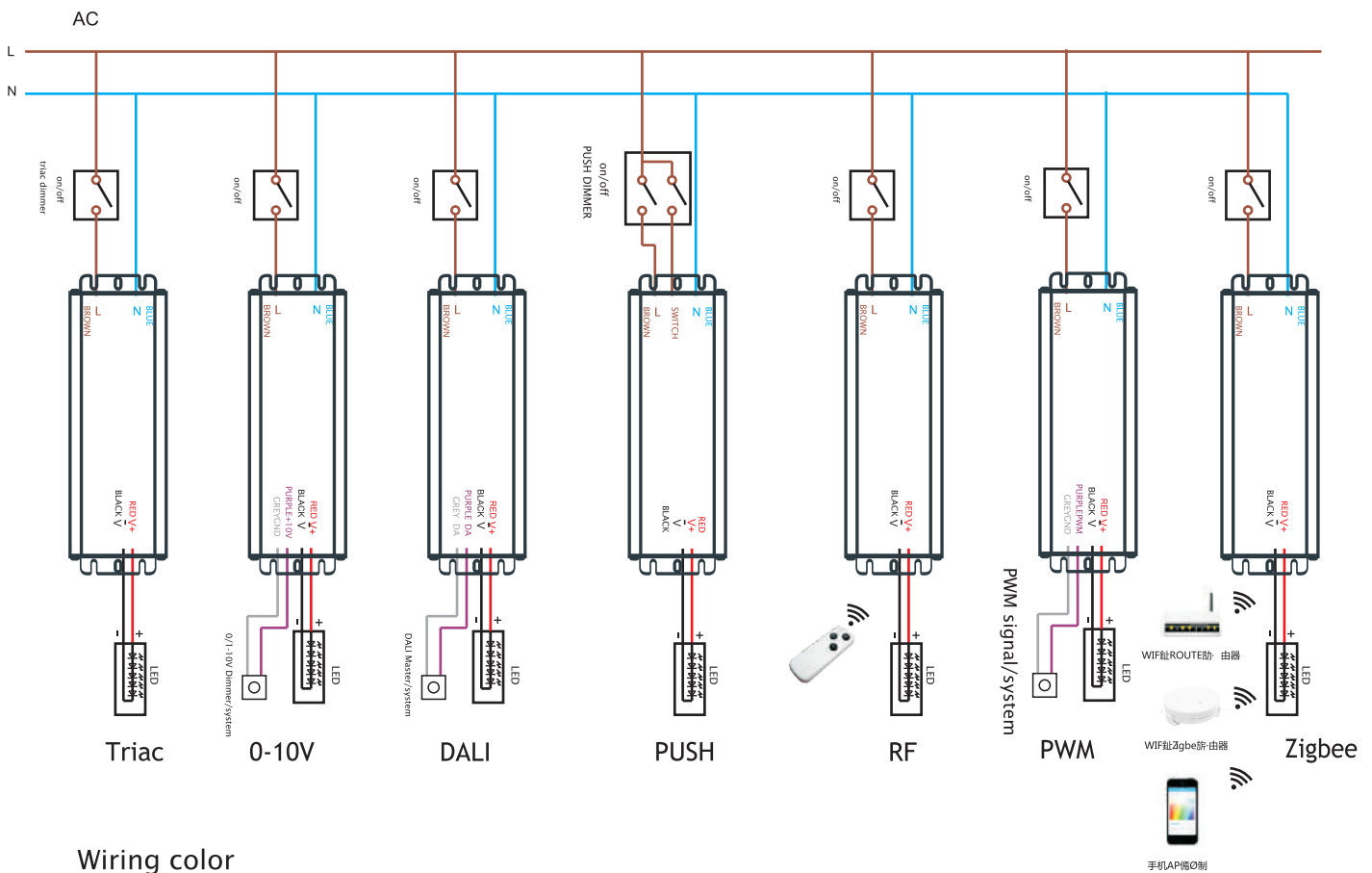
Triac/0-10V/DALI/PUSH/RF/PWM/Zigbee Dimmable

Shell structure



Units:mm

Wiring diagram



Wiring color

Input		Color	Output	Color	Dimmer line	Color	
110V/AC	L	BLACK	+	RED	0-10V	10V	PURPLE
	N	WHITE			PWM	GND	GREY
220V/AC	L	BROWN	-	BLACK	DALI	DA	PURPLE
	N	BLUE			DA	GREY	

Junction boxed series

Triac/0-10V/DALI/PUSH/RF/PWM/Zigbee Dimmable

Product Features

- Adopt active PFC circuit scheme, high factor and low harmonic
- Full-isolation driver
- A variety of dimming mode 0-10V/DALI/PUSH/RF/PWM
- Short circuit, over current and over voltage protection.
- Global multi-national certification optional (ETL, TUV, SAA, CB, CE)
- Conform to the world lighting safety standards
- 5 years quality warranty



Electrical specifications

protect	Short circuit protection	Intermittent restart mode, after the exception can be automatically restored
	Overcurrent protection	Hiccup mode, after the removal of abnormal flow can be automatically restored
	Overvoltage protection	Hiccup mode, after the exception of abnormal pressure can be automatically restored
Environment	Operating Temperature/humidity	-30 -45 °C, 5 -95 %RH
	Storage Temperature/humidity	-40 -70 °C, 5 -95 %RH
	Temperature coefficient	± 0.03% / °C(0-50°C)
	Vibration	5-55Hz/2g,30 Minutes
Safety	Safety	EN60598
	Pressure	I/P-O/P:3KVAC IP -FG:1.88KVAC O/P-FG:0.5KVAC
	Insulation resistance	I/P-O/P I/P -FG O/P -FG:100M Ω /500VDC/25 °C/70%RH
	EMC Emission	EN55022,EN55015 Class B
	EMC Immunity	EN61547,ENV5024,EN61000-4-2/3/4/6/8/11

Junction boxed series

Triac/0-10V/DALI/PUSH/RF/PWM/Zigbee Dimmable

Constant Current											
Model	Factor	Dimming type						Output voltage¤t		Weight(g)	Size(mm)
		Triac	0-10V	DALI	PUSH	RF	PWM				
DR-CC-12	PF>0.95	✓	✓	✓	✓	✓	✓	24-34V	350mA	437	170*42*35
	PF>0.5 flicker free	✓	✓	✓	✓	✓	✓	17-24V	500mA		
DR-CC-20	PF>0.95	✓	✓	✓	✓	✓	✓	12-17V	700mA	437	170*42*35
	PF>0.5 flicker free	✓	✓	✓	✓	✓	✓	28-40V	500mA		
DR-CC-30	PF>0.95	✓	✓	✓	✓	✓	✓	20-28V	700mA	603	215*47*35
	PF>0.5 flicker free	✓	✓	✓	✓	✓	✓	16-22V	900mA		
DR-CC-40	PF>0.95	✓	✓	✓	✓	✓	✓	30-42V	700mA	603	215*47*35
	PF>0.5 flicker free	✓	✓	✓	✓	✓	✓	23-33V	900mA		
DR-CC-60	PF>0.95	✓	✓	✓	✓	✓	✓	18-25V	1200mA	776	240*50*35
	PF>0.5 flicker free	✓	✓	✓	✓	✓	✓	40-57V	700mA		
DR-CC-80	PF>0.95	✓	✓	✓	✓	✓	✓	32-45V	900mA	1121	262*66*35
	PF>0.5 flicker free	✓	✓	✓	✓	✓	✓	23-33V	1200mA		
DR-CC-100	PF>0.95	✓	✓	✓	✓	✓	✓	19-27V	1500mA	1121	262*66*35
	PF>0.5 flicker free	✓	✓	✓	✓	✓	✓	46-66V	900mA		
DR-CC-100	PF>0.95	✓	✓	✓	✓	✓	✓	35-50V	1200mA	1121	262*66*35
	PF>0.5 flicker free	✓	✓	✓	✓	✓	✓	28-40V	1500mA		
DR-CC-100	PF>0.95	✓	✓	✓	✓	✓	✓	23-33V	1800mA	1121	262*66*35
	PF>0.5 flicker free	✓	✓	✓	✓	✓	✓	50-72V	1100mA		
DR-CC-100	PF>0.95	✓	✓	✓	✓	✓	✓	37-53V	1500mA	1121	262*66*35
	PF>0.5 flicker free	✓	✓	✓	✓	✓	✓	30-44V	1800mA		
DR-CC-100	PF>0.95	✓	✓	✓	✓	✓	✓	25-36V	2200mA	1121	262*66*35
	PF>0.5 flicker free	✓	✓	✓	✓	✓	✓	49-72V	1300mA		
DR-CC-100	PF>0.95	✓	✓	✓	✓	✓	✓	38-55V	1800mA	1121	262*66*35
	PF>0.5 flicker free	✓	✓	✓	✓	✓	✓	30-43V	2300mA		
DR-CC-100	PF>0.95	✓	✓	✓	✓	✓	✓	25-35V	2800mA	1121	262*66*35
	PF>0.5 flicker free	✓	✓	✓	✓	✓	✓				

Junction boxed series

Triac/0-10V/DALI/PUSH/RF/PWM/Zigbee Dimmable

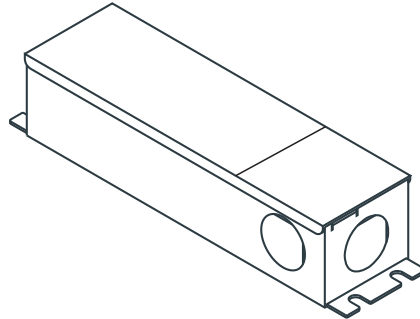
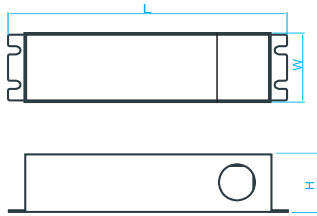
Constant Voltage

Model	Factor	Dimming type						Output voltage & current		Weight(g)	Size(mm)
		Triac	0-10V	DALI	PUSH	RF	PWM				
DR-CV-12	PF>0.95	✓	✓	✓	✓	✓	✓	12V	1000mA	437	170*42*35
	PF>0.5 flicker free	✓	✓	✓	✓	✓	✓	24V	500mA		
DR-CV-20	PF>0.95	✓	✓	✓	✓	✓	✓	12V	1500mA	437	170*42*35
	PF>0.5 flicker free	✓	✓	✓	✓	✓	✓	24V	830mA		
DR-CV-30	PF>0.95	✓	✓	✓	✓	✓	✓	12V	2000mA	603	215*47*35
	PF>0.5 flicker free	✓	✓	✓	✓	✓	✓	24V	1250mA		
DR-CV-40	PF>0.95	✓	✓	✓	✓	✓	✓	12V	3000mA	603	215*47*35
	PF>0.5 flicker free	✓	✓	✓	✓	✓	✓	24V	1700mA		
DR-CV-60	PF>0.95	✓	✓	✓	✓	✓	✓	12V	4000mA	776	240*50*35
	PF>0.5 flicker free	✓	✓	✓	✓	✓	✓	24V	2500mA		
DR-CV-80	PF>0.95	✓	✓	✓	✓	✓	✓	12V	5000mA	1121	262*66*35
	PF>0.5 flicker free	✓	✓	✓	✓	✓	✓	24V	3300mA		
DR-CV-100	PF>0.95	✓	✓	✓	✓	✓	✓	12V	7000mA	1121	262*66*35
	PF>0.5 flicker free		✓	✓	✓	✓	✓	24V	4200mA		
	PF>0.95 flicker free										

Junction boxed series

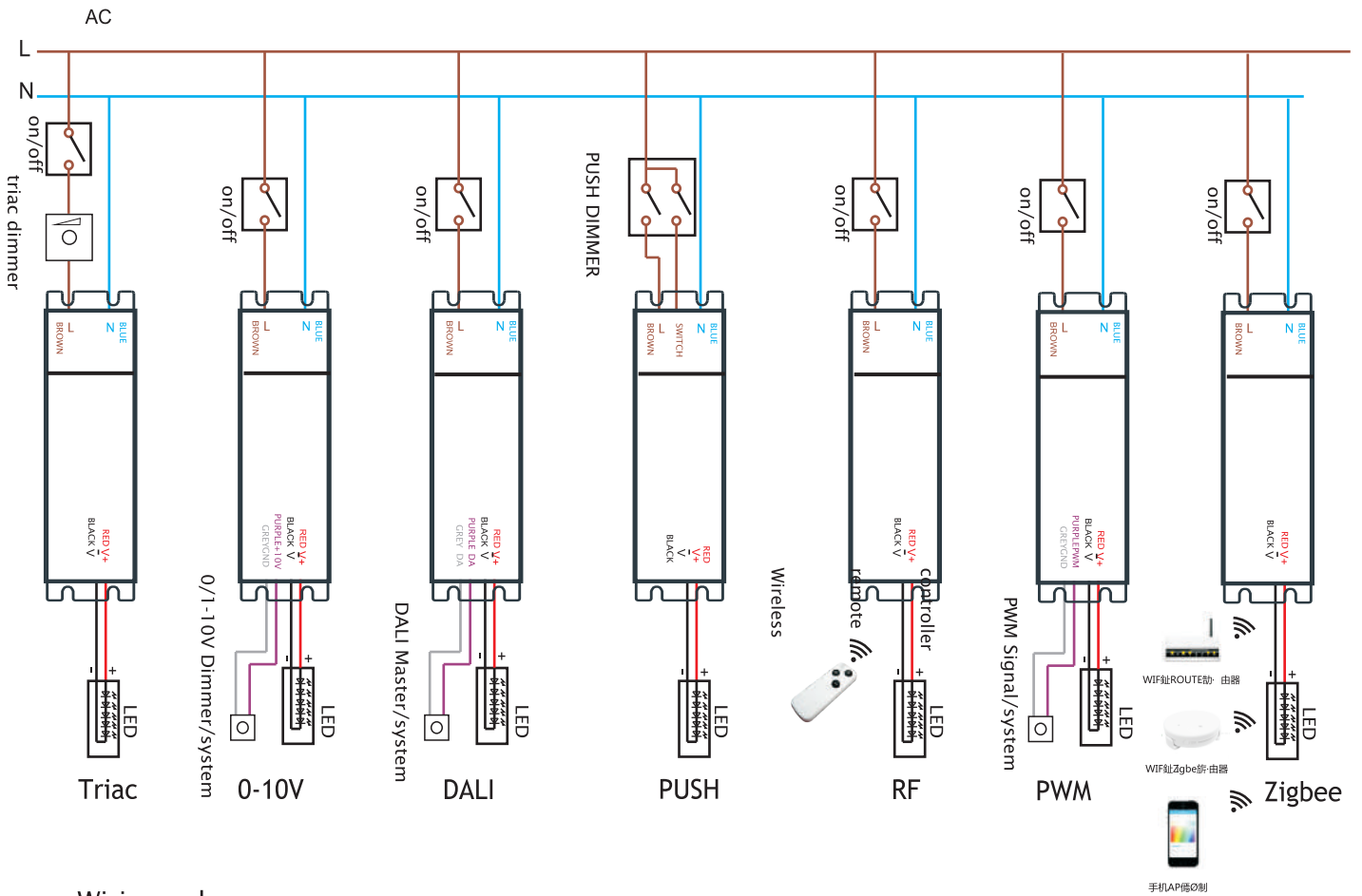
Triac/0-10V/DALI/PUSH/RF/PWM/Zigbee Dimmable

Shell structure



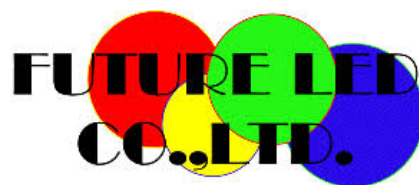
Units:mm

Wiring diagram



Wiring color

Input		Color	Output	Color	Dimmer line	Color
110V/AC	L	BLACK	+	RED	10V	PURPLE
	N	WHITE			GND	GREY
220V/AC	L	BROWN	-	BLACK	DA	PURPLE
	N	BLUE			DA	GREY



Energy Power Save CO.,LTD.

442/2 Chan Road, Thungwatdon Sathon Bangkok Thailand 10120

Email : info@7-mars.com, info@futureled.co.th www.siamenergysaving.com