

Drawings

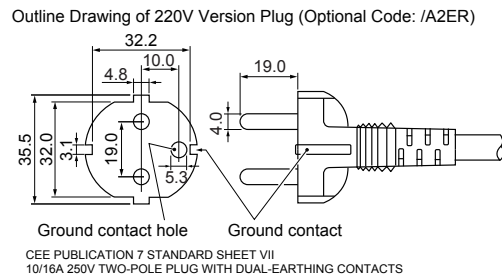
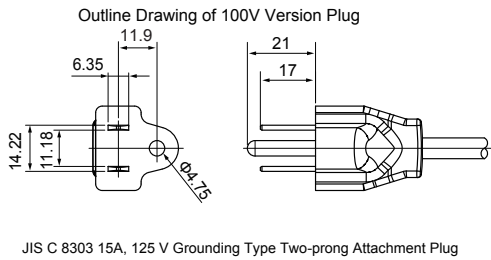
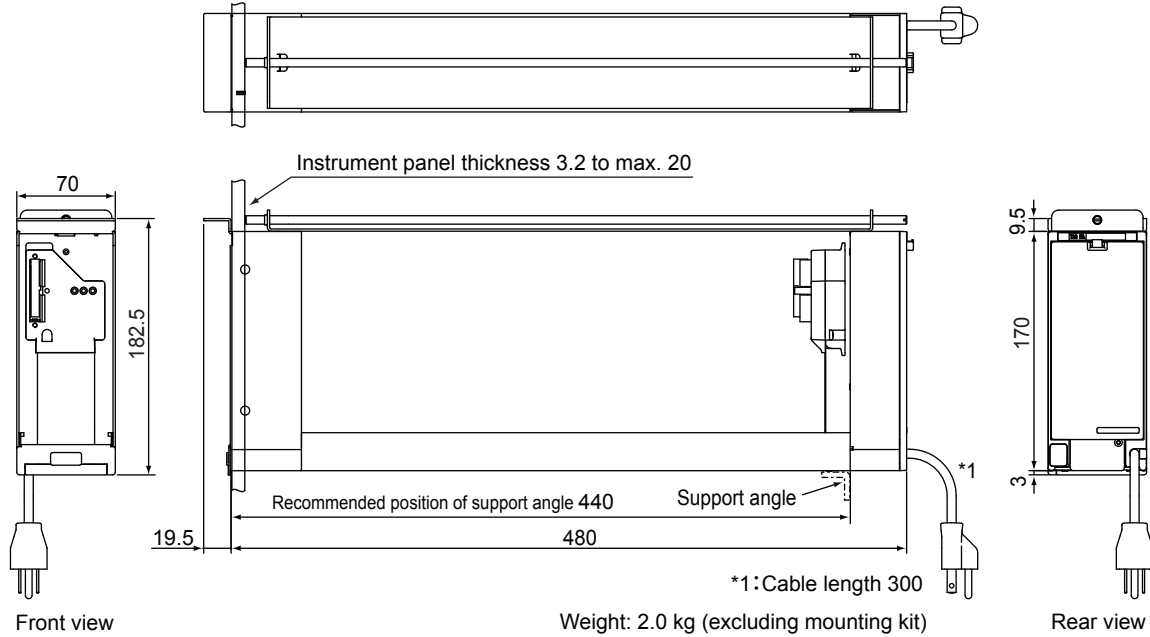
SHUP-000*A
SHUP-000*A/A2ER
Housing Kit (YS80 Housing)

YEW SERIES 80

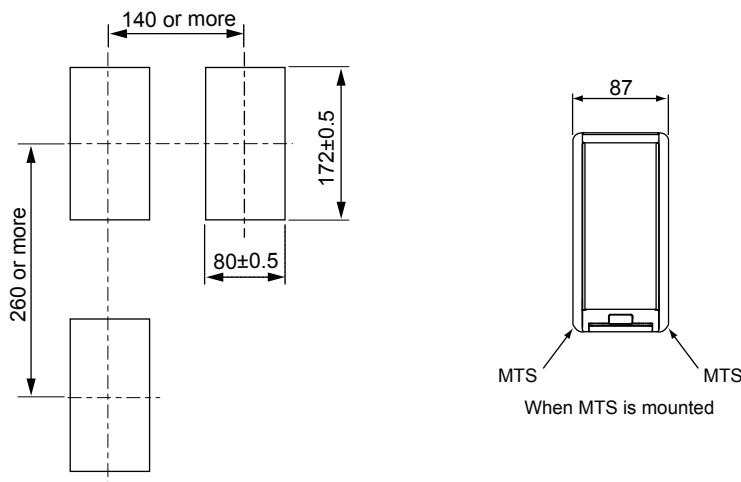
SD 01B04F01-01E

Unit: mm

<External Dimensions>



● Panel Cutout Dimensions



Note: If the YS series is mounted at an end in single mounting or side-by-side mounting, attach the separately sold mounting kit (MTS) to the housing.