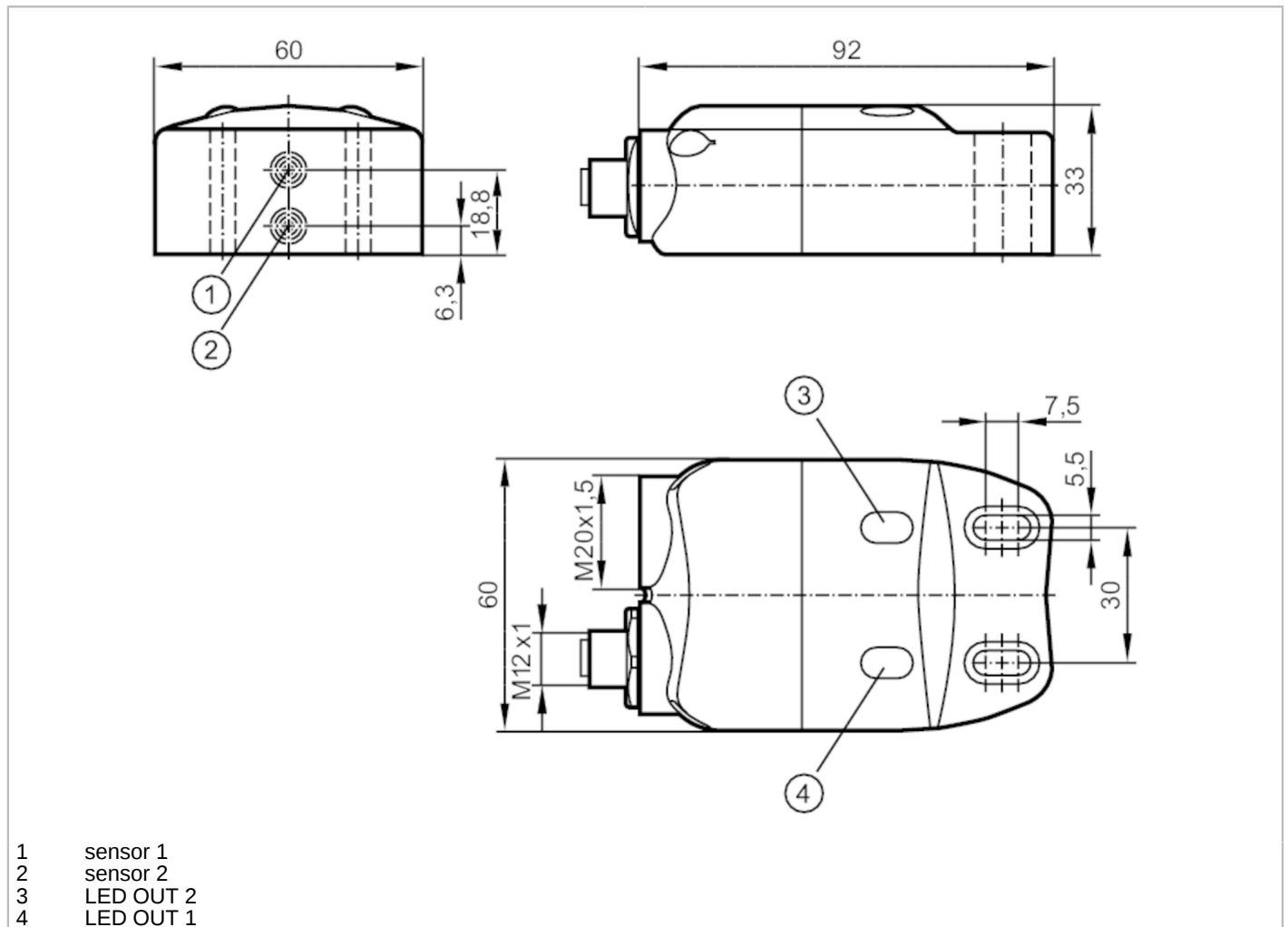


# IN5410



## Inductive sensor

INE3004DBPKG/SOCKET M12



### Product characteristics

Electrical design		PNP
Output function		2 x normally open
Sensing range	[mm]	4
Housing		rectangular
Dimensions	[mm]	33 x 60 x 92

### Application

Application		position sensor for valve actuators; actuator control
-------------	--	---

### Electrical data

Operating voltage	[V]	10...30 DC; (; to PELV)
Current consumption	[mA]	15; (a maximum of one output is switched)
Protection class		III
Reverse polarity protection		yes

### Outputs

Electrical design		PNP
Output function		2 x normally open

# IN5410



## Inductive sensor

INE3004DBPKG/SOCKET M12

Max. voltage drop switching output DC	[V]	2.5
Permanent current rating of switching output DC	[mA]	100
Switching frequency DC	[Hz]	500
Short-circuit protection		yes
Type of short-circuit protection		pulsed
Overload protection		yes
Valve control		24 (< 20 W)

<b>Detection zone</b>		
Sensing range	[mm]	4
Real sensing range Sr	[mm]	4 ± 10 %
Operating distance	[mm]	0...3.25

<b>Accuracy / deviations</b>		
Correction factor		steel: 1 / stainless steel: 0.7 / brass: 0.5 / aluminium: 0.4 / copper: 0.3
Hysteresis	[% of Sr]	1...15
Switch point drift	[% of Sr]	-10...10

<b>Operating conditions</b>		
Ambient temperature	[°C]	-25...80
Protection		IP 67

<b>Tests / approvals</b>		
EMC	EN 60947-5-2	
	EN 55011	class B
MTTF	[years]	1072

<b>Mechanical data</b>		
Weight	[g]	183.7
Housing		rectangular
Mounting		non-flush mountable
Dimensions	[mm]	33 x 60 x 92
Materials		housing: PA; screws: stainless steel; washer: stainless steel

<b>Displays / operating elements</b>		
Display	switching status	2 x LED, yellow

<b>Accessories</b>		
Items supplied		washers: 2 cylinder screws: 2 x (M5 x 18 mm)

<b>Remarks</b>		
Pack quantity		1 pcs.

# IN5410



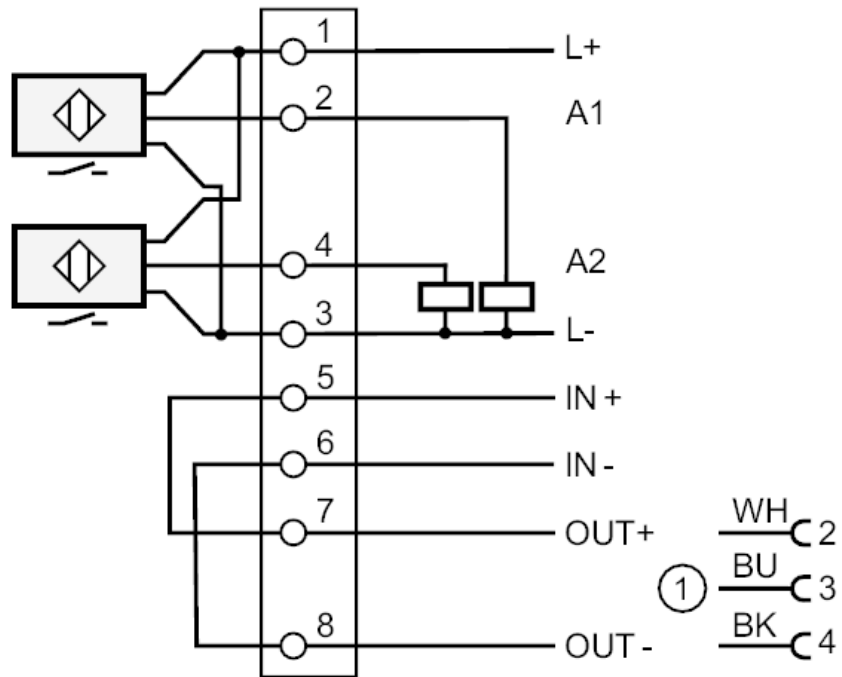
## Inductive sensor

INE3004DBPKG/SOCKET M12

### Electrical connection

terminal strip in the terminal chamber:

#### Connection



1: output solenoid valve

Connector: 1 x M12