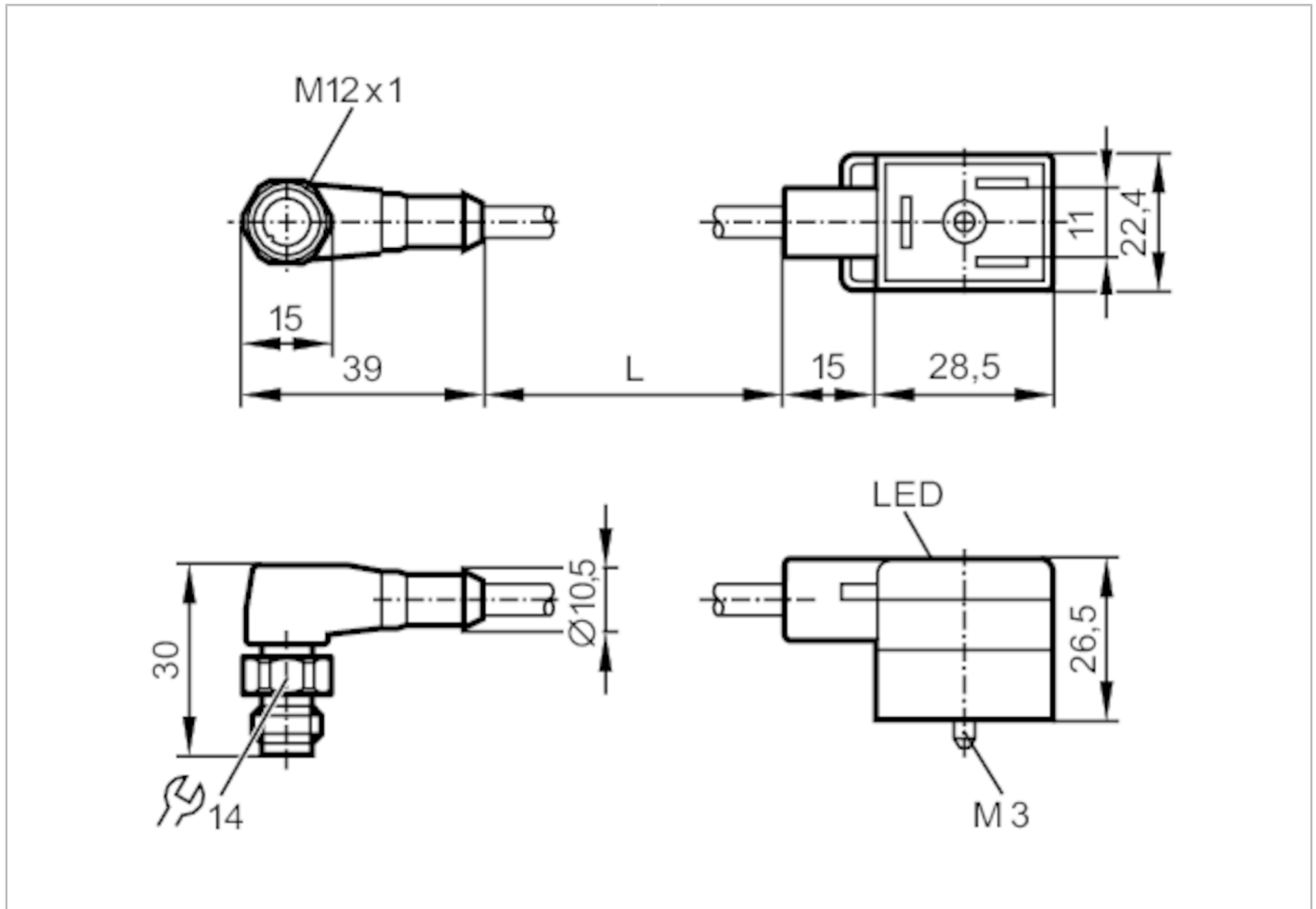


E10820



Jumper cable with valve plug

VVSAB041--S00,6A03STAH030VAS



Application		
Special feature		Halogen-free
Electrical data		
Operating voltage	[V]	< 24 AC/DC
Overvoltage protection		yes; (VDR)
Operating conditions		
Ambient temperature	[°C]	-25...90
Protection		IP 67
Mechanical data		
Weight	[g]	73.7
Dimensions	[mm]	30 x 15 x 39
Materials		TPU
Moulded-body material		TPU
Material nut		stainless steel (316L/1.4404)
Displays / operating elements		
Display	operation	1 x LED, yellow

E10820



Jumper cable with valve plug

VVSAB041--S00,6A03STAH030VAS

Accessories

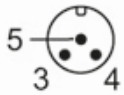
Items supplied	screw: 1
	panel for labelling: 1

Remarks

Pack quantity	1 pcs.
---------------	--------

Electrical connection - plug

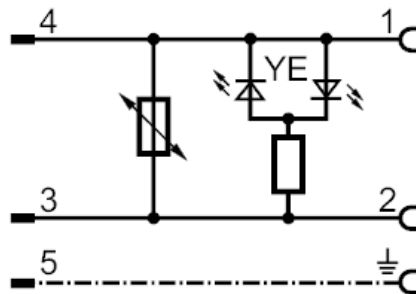
Connector: 1 x M12, angled; coding: A; Moulded body: TPU; Locking: stainless steel (316L/1.4404)



Electrical connection

Cable: 0.6 m, PUR, Halogen-free, black, Ø 4.8 mm; 3 x 0.5 mm² (16 x Ø 0.2 mm)

Connection



Electrical connection - socket

Connector: 1 x valve type B industrial standard, angled; Moulded body: TPU; Locking: stainless steel (316L/1.4404)

