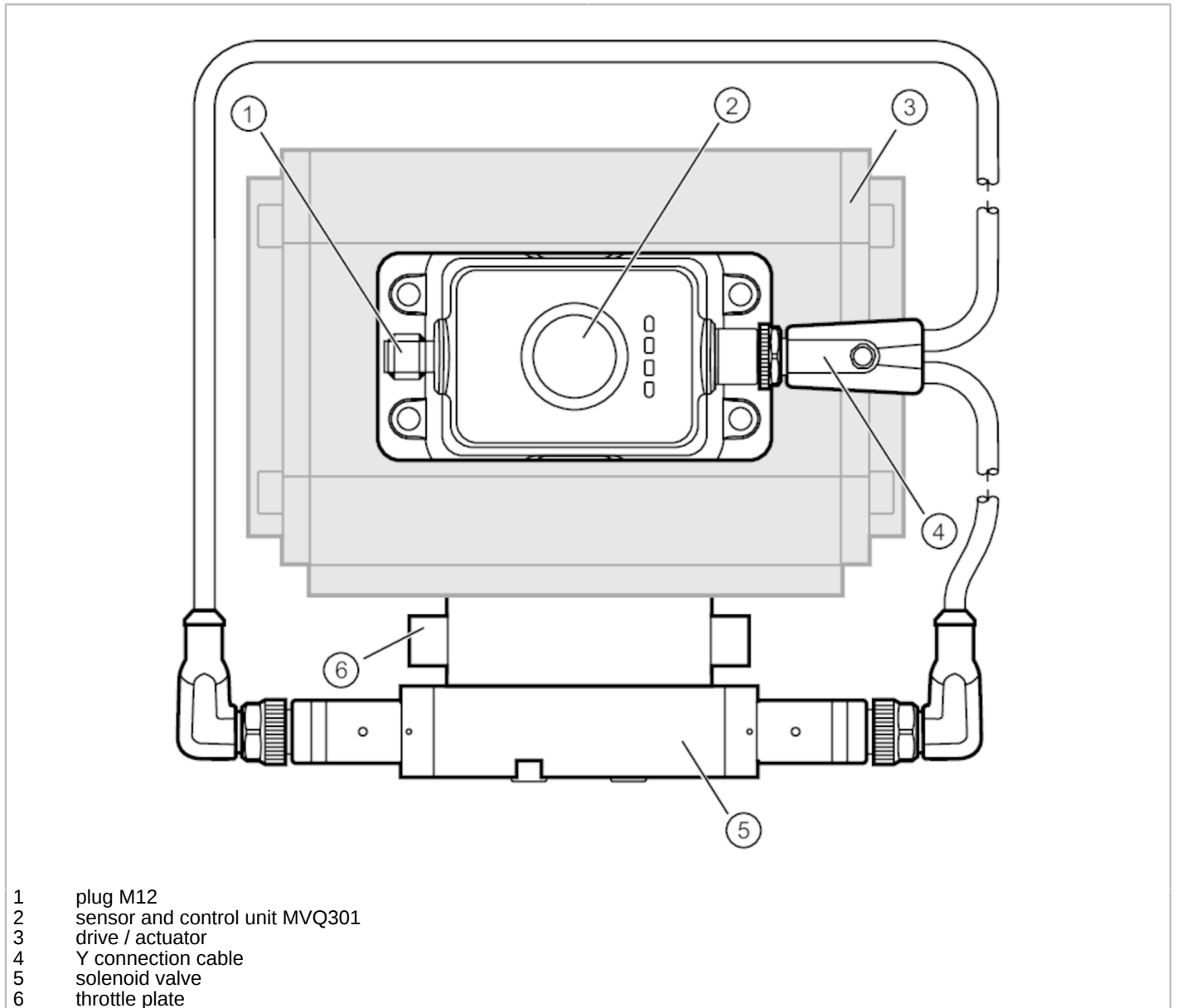




## Positioner for industrial valves

SMART POSITIONER SINGLE ACTING



- 1 plug M12
- 2 sensor and control unit MVQ301
- 3 drive / actuator
- 4 Y connection cable
- 5 solenoid valve
- 6 throttle plate

Application	
Application	suitable for single-acting / spring-return quarter-turn actuators
Components	position sensor and control unit: 1, MVQ301 throttle plate: 1, ZJF123 3/3-way solenoid valve: 1, ZJF121 Connection cable: 1, EVC508 silencer: 1 with mounting material
Interfaces	
Communication interface	IO-Link
Unterstützte Masterportklasse	B
Mechanical data	
Weight [g]	892.4
Operating pressure range [bar]	2.5...8

# ZZ0687



## Positioner for industrial valves

SMART POSITIONER SINGLE ACTING

### Remarks

Pack quantity

1 pcs.