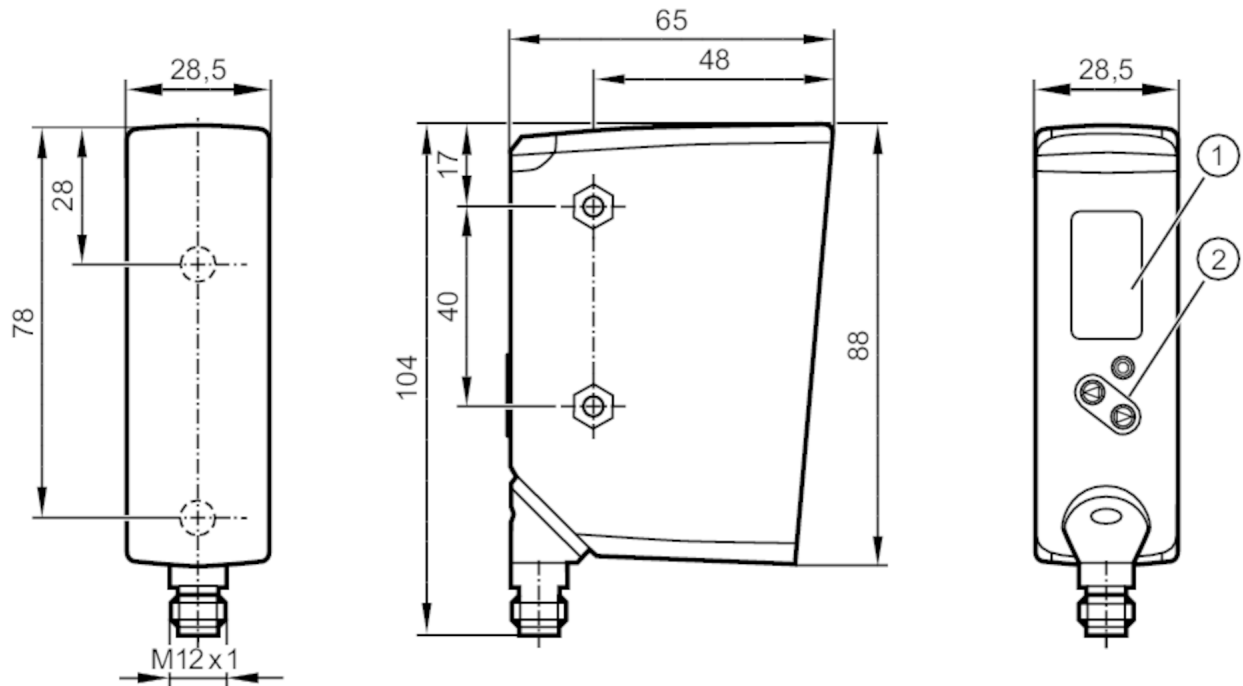


OPD101



Profile sensor

OPDLFPKG



- 1: Display
 2: programming buttons
 receiver in upper lens
 transmitter in lower lens



Product characteristics

Type of light	red light
Laser protection class	1
Housing	rectangular

Electrical data

Operating voltage [V]	10...30 DC; ("supply class 2" to cULus)
Current consumption [mA]	< 200; (10 V)
Protection class	III
Reverse polarity protection	yes
Power-on delay time [s]	2
Type of light	red light
Wave length [nm]	650

Inputs / outputs

Number of inputs and outputs	Number of digital inputs: 1; Number of digital outputs: 2
------------------------------	---

Inputs

Trigger	external
---------	----------

OPD101



Profile sensor

OPDLFPKG

Number of digital inputs	1	
Outputs		
Electrical design	PNP/NPN; (parameterisable)	
Number of digital outputs	2	
Output function	2 x normally open / normally closed; (parameterisable)	
Max. current load per output [mA]	100	
Type of short-circuit protection	pulsed	
Overload protection	yes	
Measuring/setting range		
Measuring distance (Z-direction) [mm]	150...300	
Width of the measuring range (X-direction) at min. measuring distance [mm]	45; (distance = 150mm)	
Width of the measuring range (X-direction) at max. measuring distance [mm]	90; (distance = 300mm)	
Sampling rate [Hz]	5	
Accuracy / deviations		
Measured value resolution	Z-direction 200 µm X-direction 250 µm	
Accuracy	Z-direction ± 500 µm X-direction ± 500 µm background white (90 % remission)	
Software / programming		
Number of profiles which can be stored	10	
Number of regions of interest	2	
Interfaces		
Communication interface	IO-Link	
Transmission type	COM3 (230,4 kBaud)	
IO-Link revision	1.1	
SDCI standard	IEC 61131-9	
Profiles	BLOB	Binary Large Object transfer
	Common - I&D	Identification and Diagnosis
	Function	Multiple switching signal
	Function	Measurement data, standard resolution
SIO mode	yes	
Required master port type	A	
Min. process cycle time [ms]	2.3	
IO-Link process data (cyclical)	function	bit length
	process value	16
	device status	4
	binary switching information	1
IO-Link functions (acyclical)	operating hours counter; number of trigger events; ROI setting	

OPD101



Profile sensor

OPDLFPKG

Supported DeviceIDs	Type of operation	DeviceID
	default	1261
Note	For further information please see the IODD PDF file under "Downloads"	

Operating conditions		
Ambient temperature	[°C]	-10...55
Storage temperature	[°C]	-40...60
Protection		IP 65
Max. immunity to extraneous light	[klx]	20

Tests / approvals		
EMC	EN 60947-5-2	
Laser protection class		1
Notes on laser protection	Caution:	laser light
	laser class:	1
		EN / IEC60825-1:2007
		EN / IEC60825-1:2014
		Complies with 21 CFR 1040.10 except for conformance with IEC 60825-1 Ed. 3, as described in Laser Notice No. 56, dated May 8, 2019.
MTTF	[years]	155
UL approval	Ta	-10...55 °C
	Enclosure type	Type 1
	power supply	Class 2
	File number UL	E174191

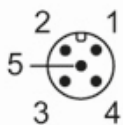
Mechanical data		
Weight	[g]	534.5
Housing		rectangular
Dimensions	[mm]	88 x 28.5 x 65
Materials		housing: diecast zinc; PPSU; ABS; PMMA; PBT / PC; EPDM; front pane: PMMA

Displays / operating elements		
Display	switching status	1 x LED, yellow
	Display operation	1 x LED, green
		colour display

Remarks		
Pack quantity		1 pcs.

Electrical connection

Connector: 1 x M12; coding: A



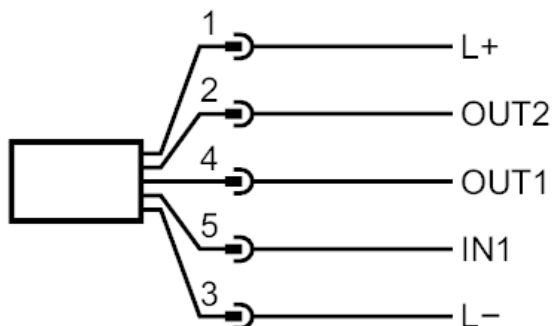
OPD101



Profile sensor

OPDLFPKG

Connection



- 4: OUT1 switching output or IO-Link
- 2: OUT2 switching output
- 5: trigger input

Other data

light line

measuring distance (Z-direction)	light line
150 mm	50 x 1 mm
300 mm	100 x 1 mm

The values apply at

Extraneous light on the object	< 20 klx
constant ambient conditions	23 °C / 960 hPa
minimum power-on time in minutes	10

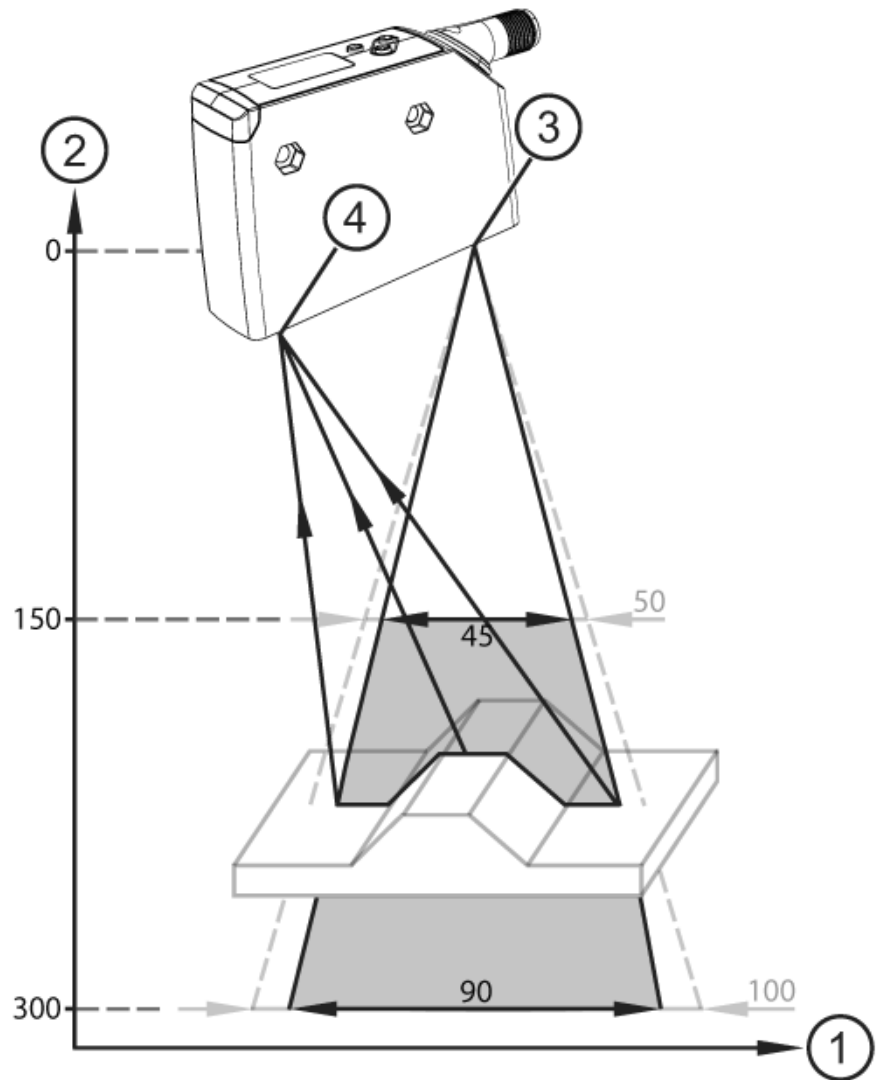
OPD101

Profile sensor

OPDLFPKG



Diagrams and graphs



- 1 X-direction
- 2 Z-direction
- 3 laser beam aperture
- 4 receiver